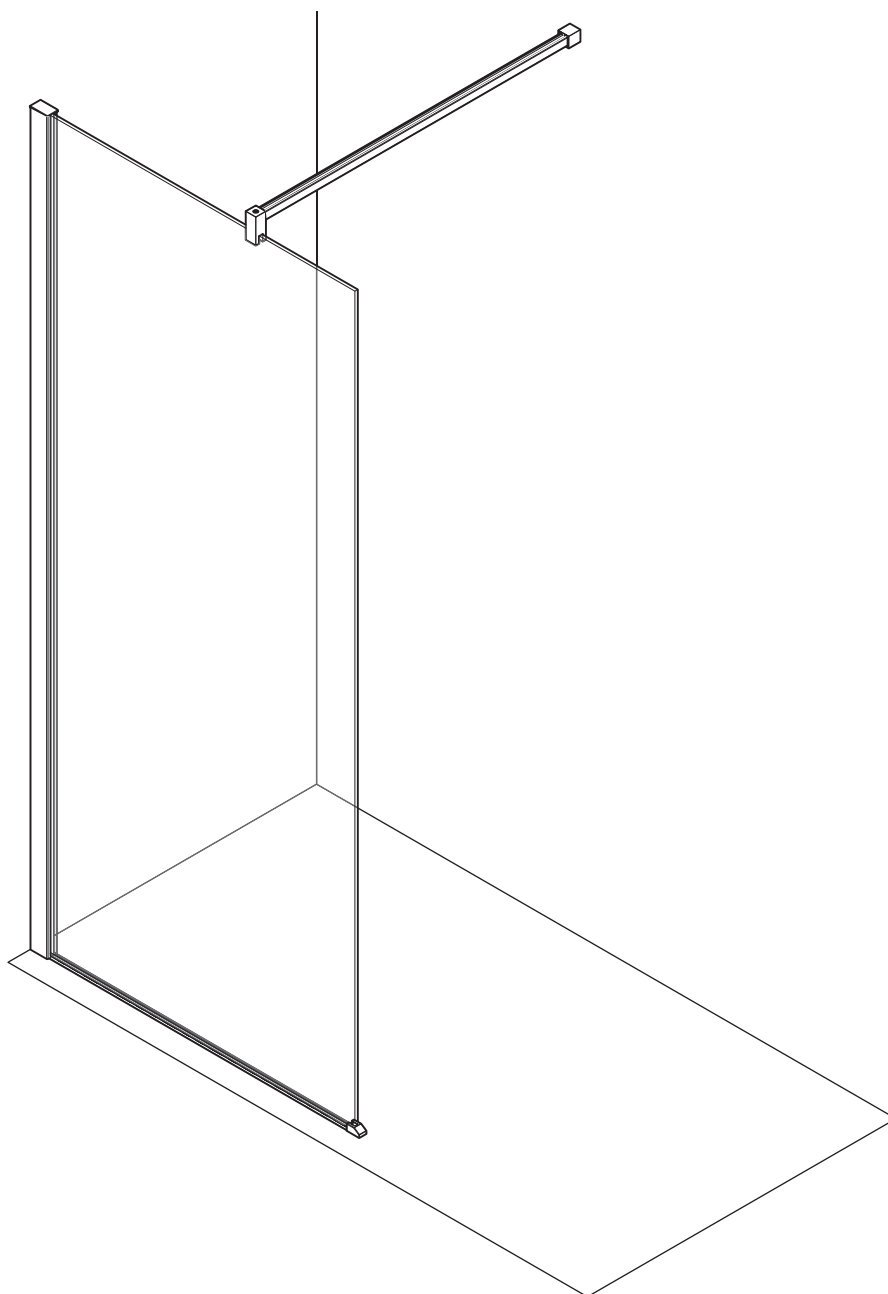
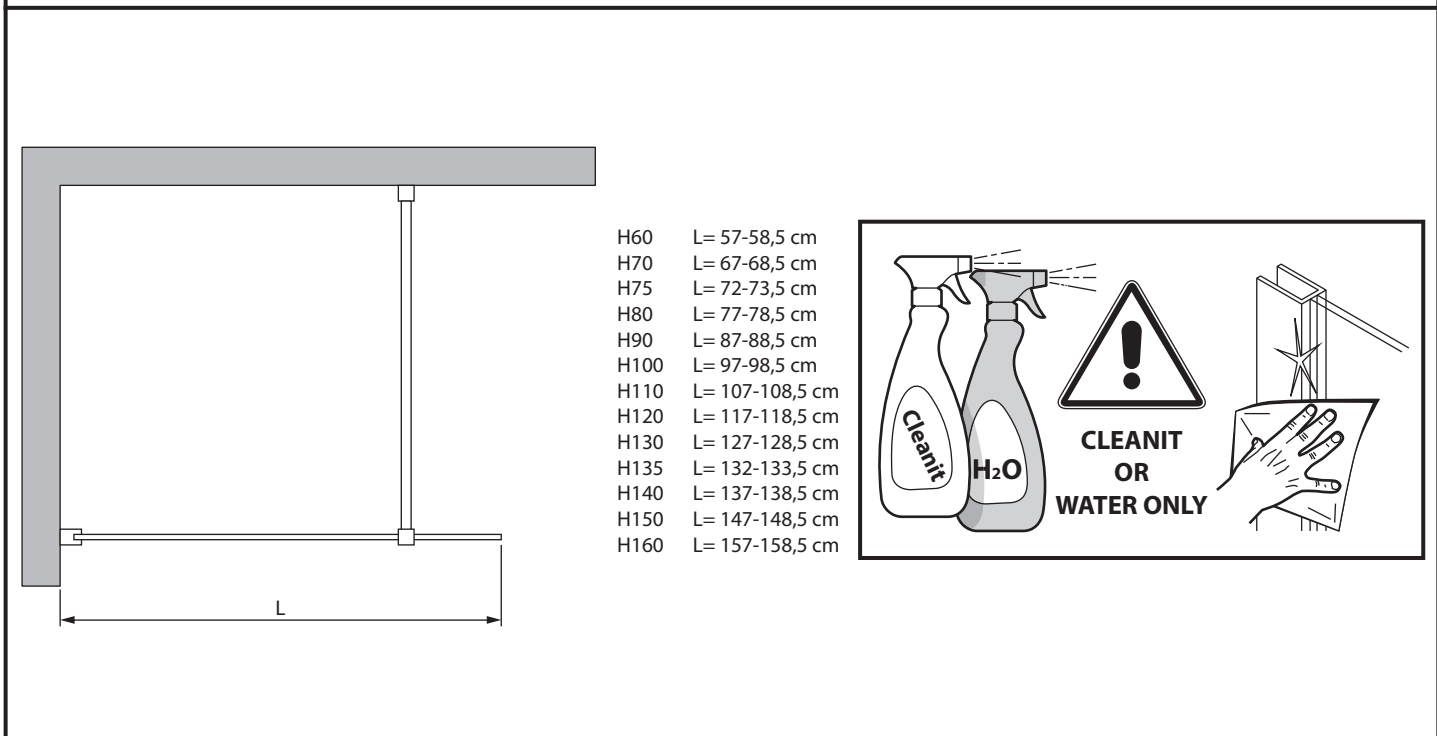
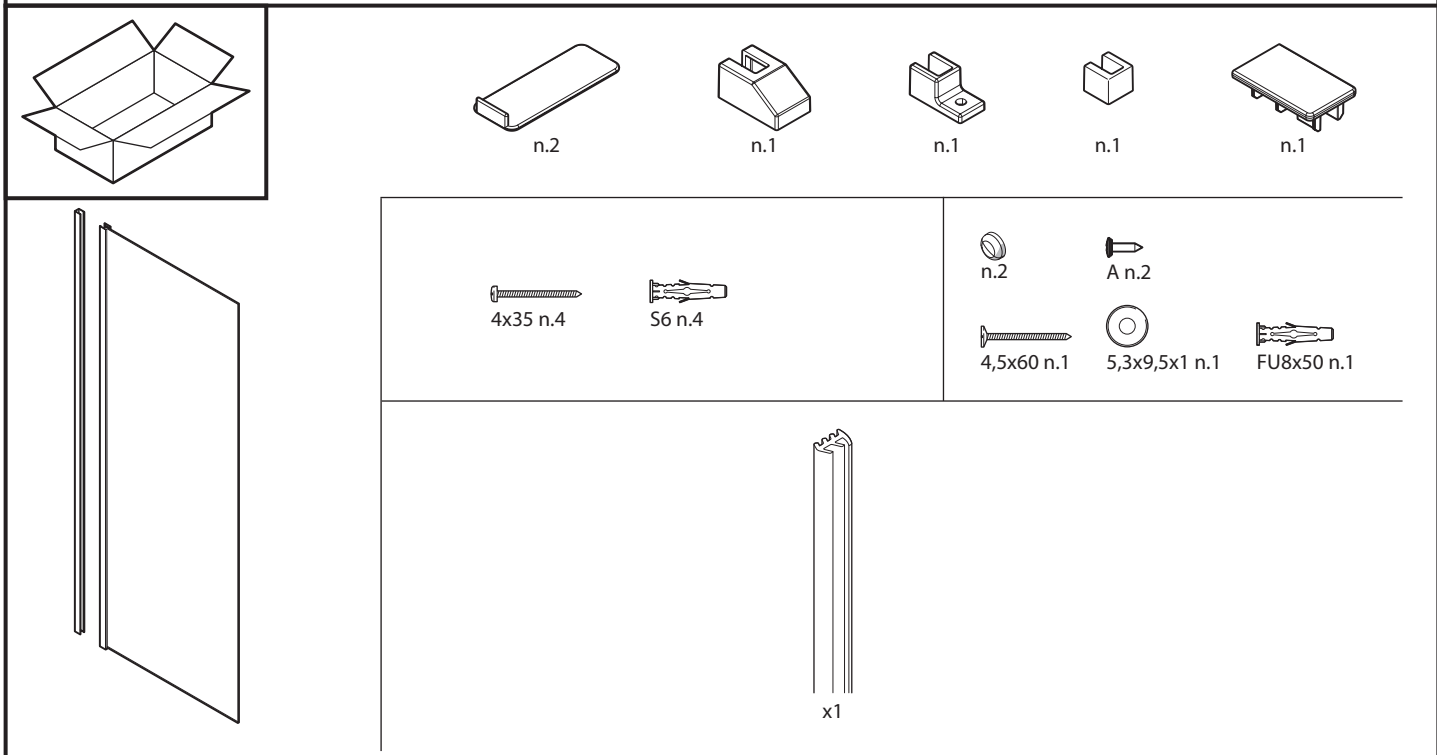
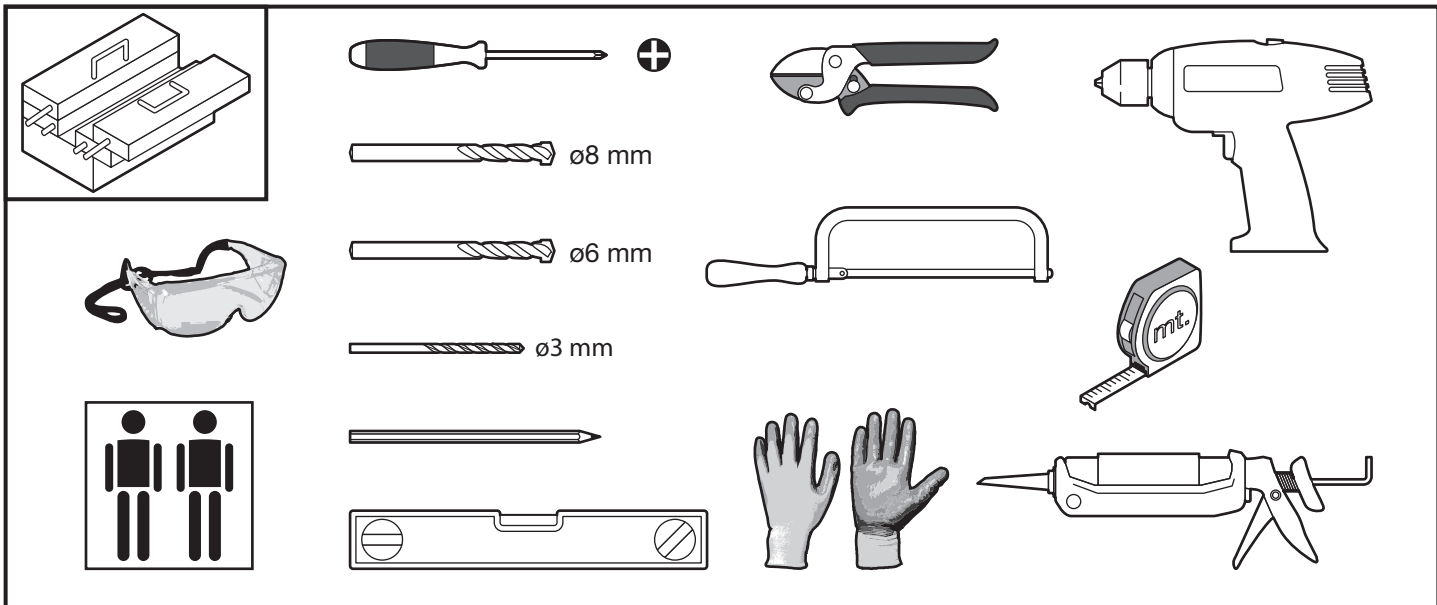
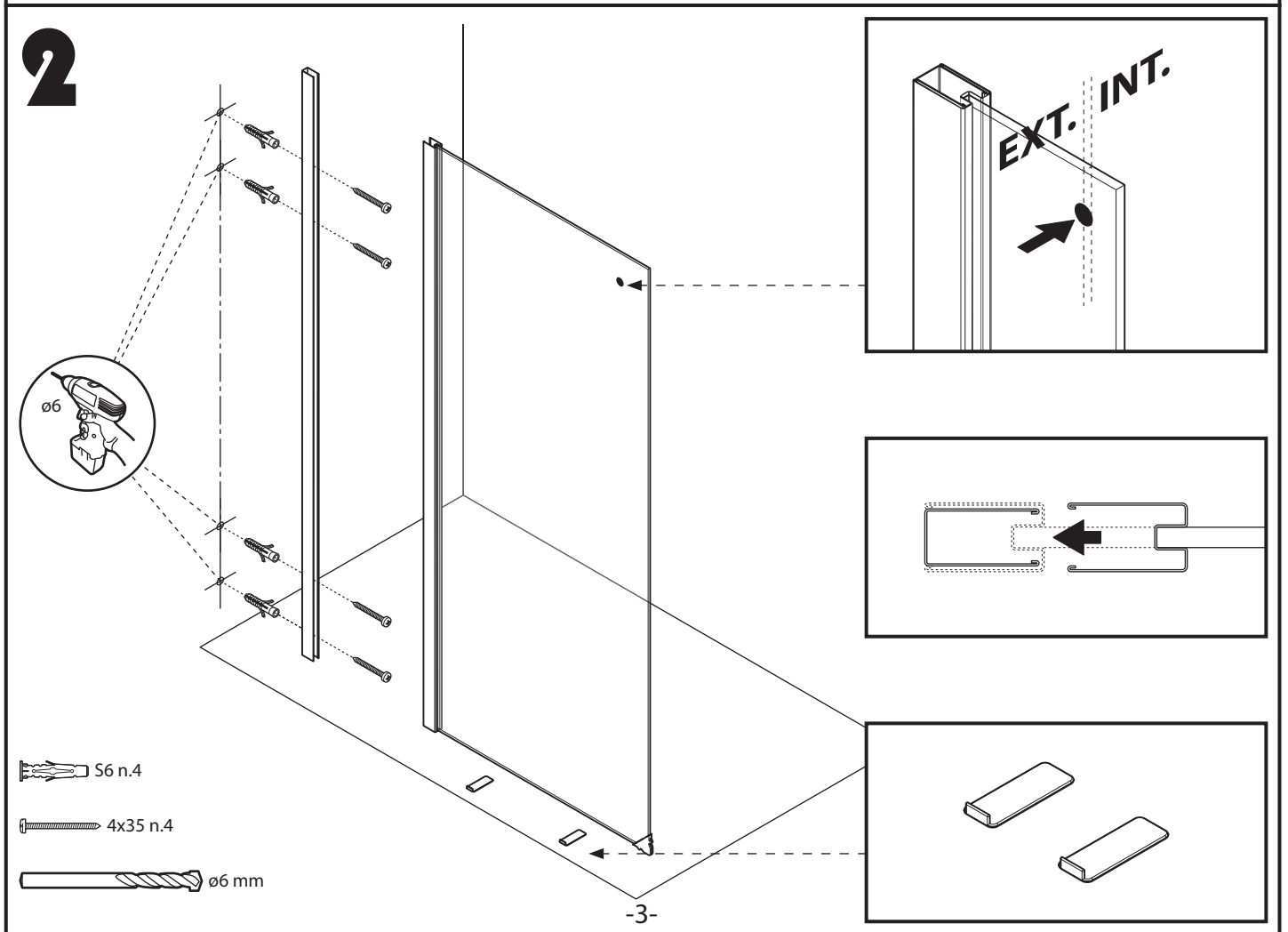
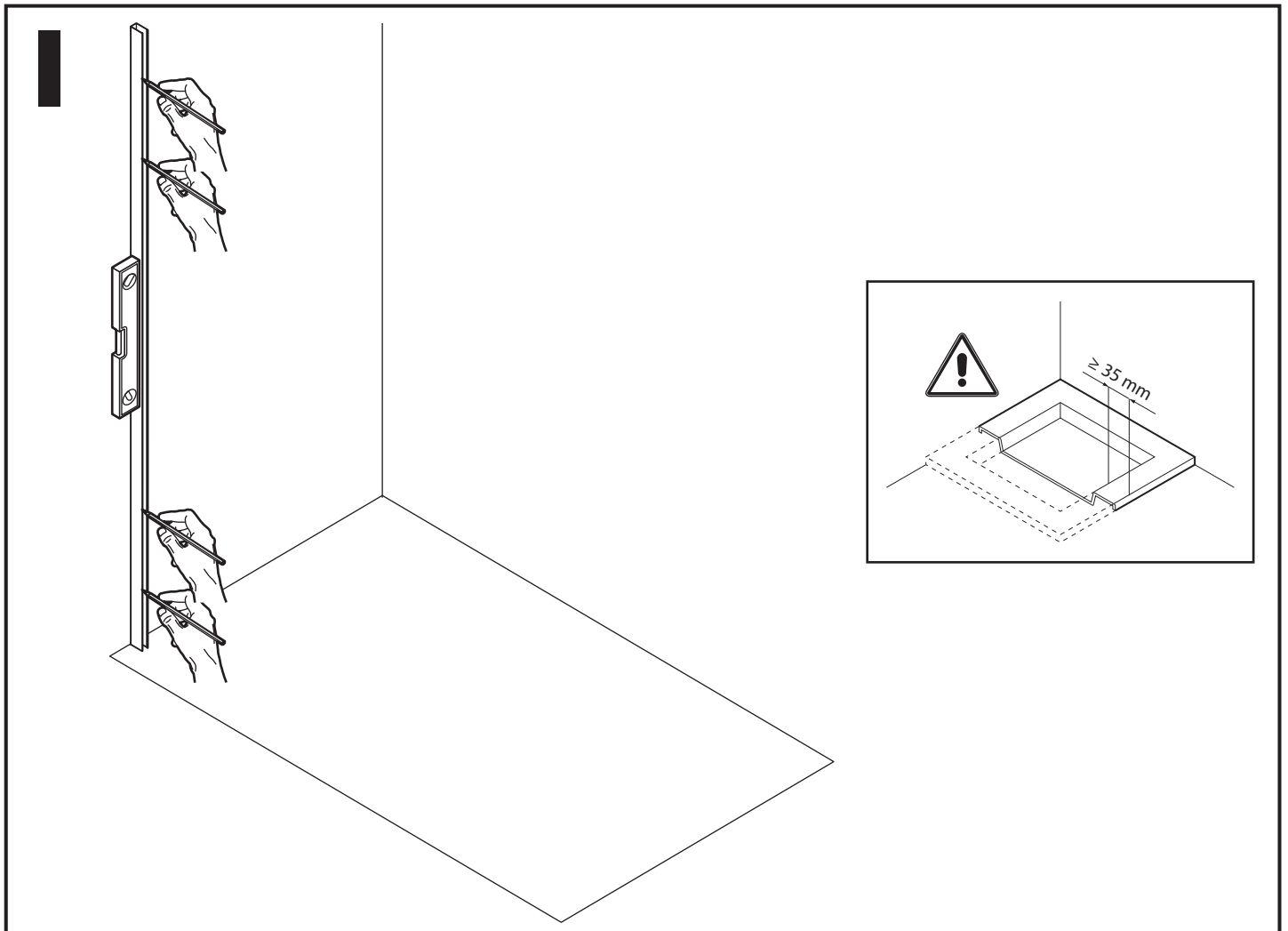


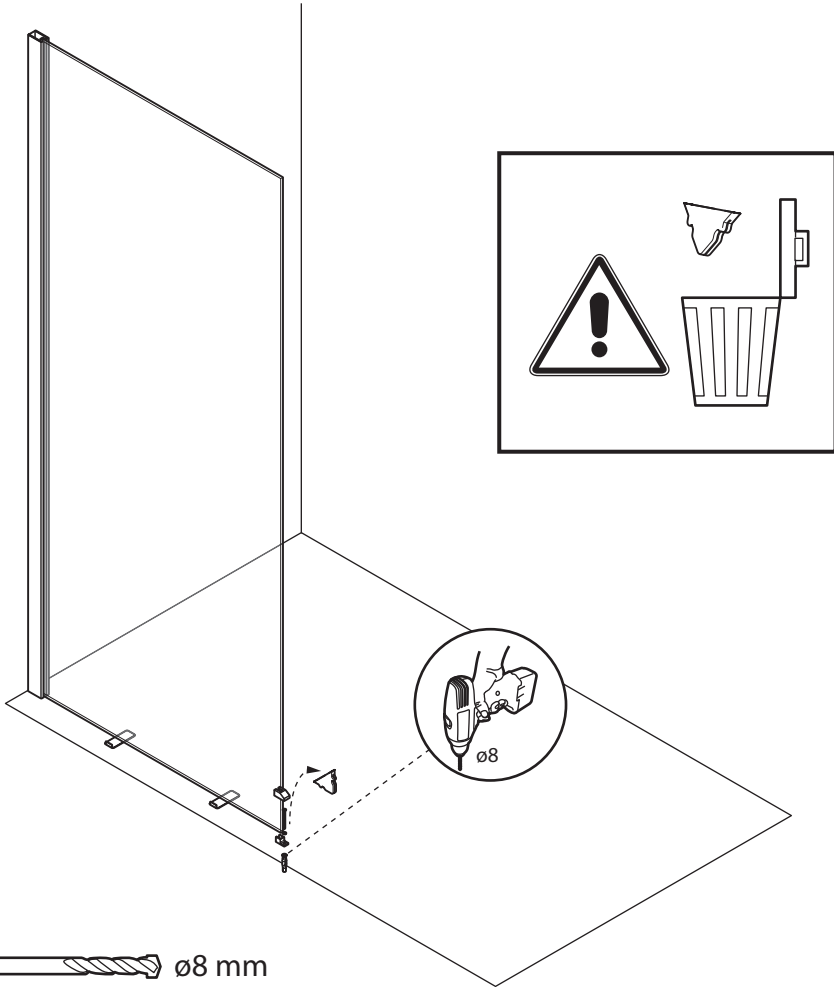
H



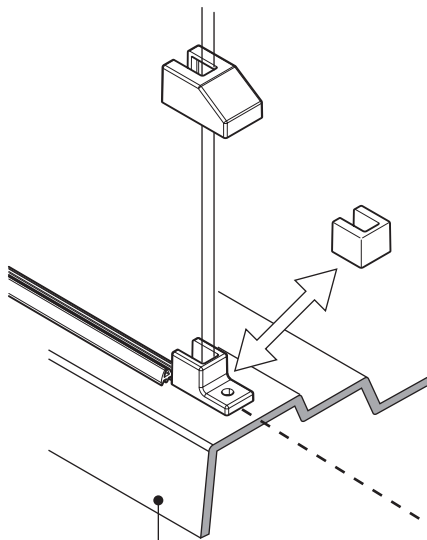
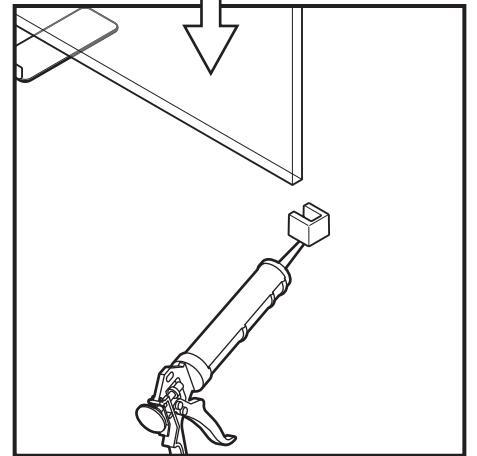
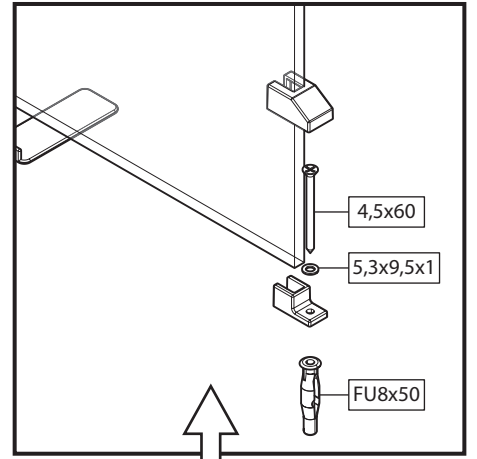




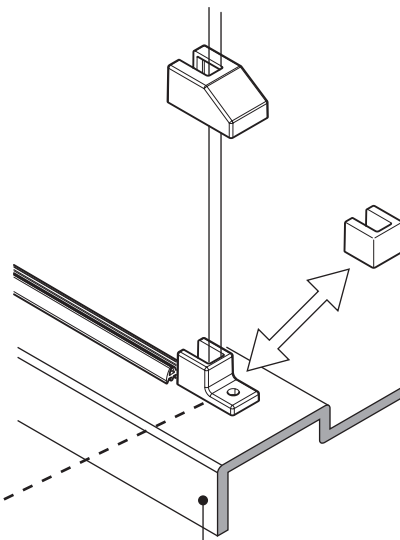
3



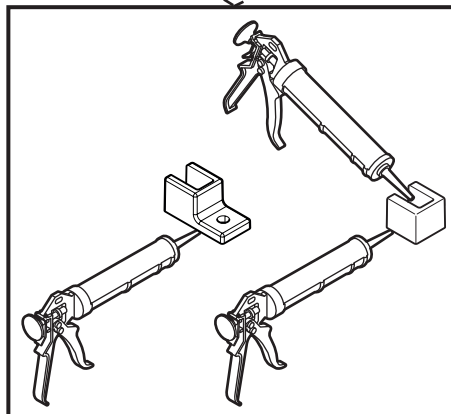
 $\varnothing 8$ mm



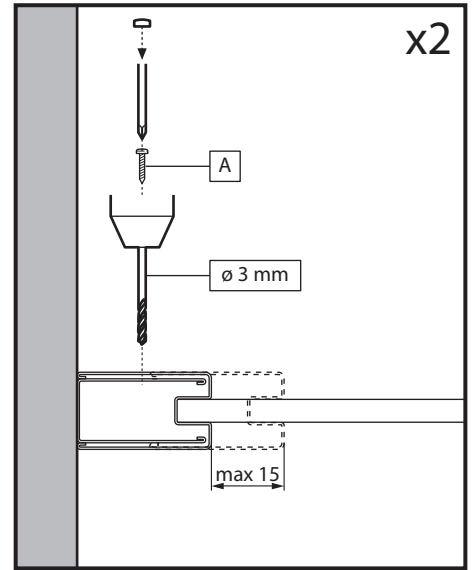
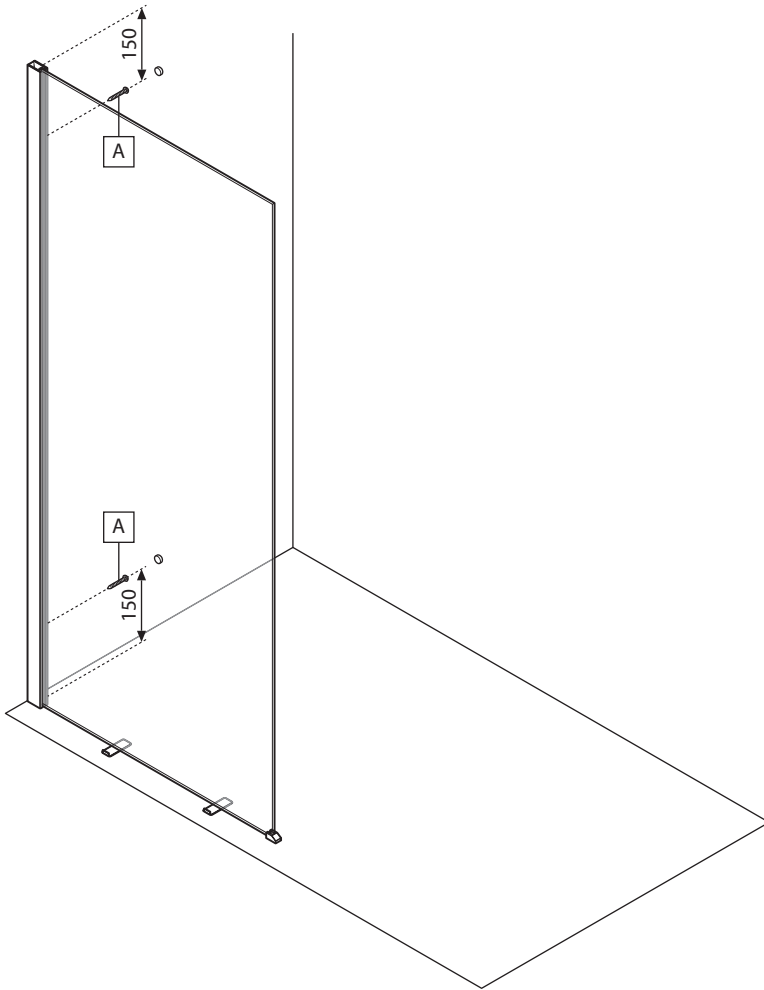
Acrylic



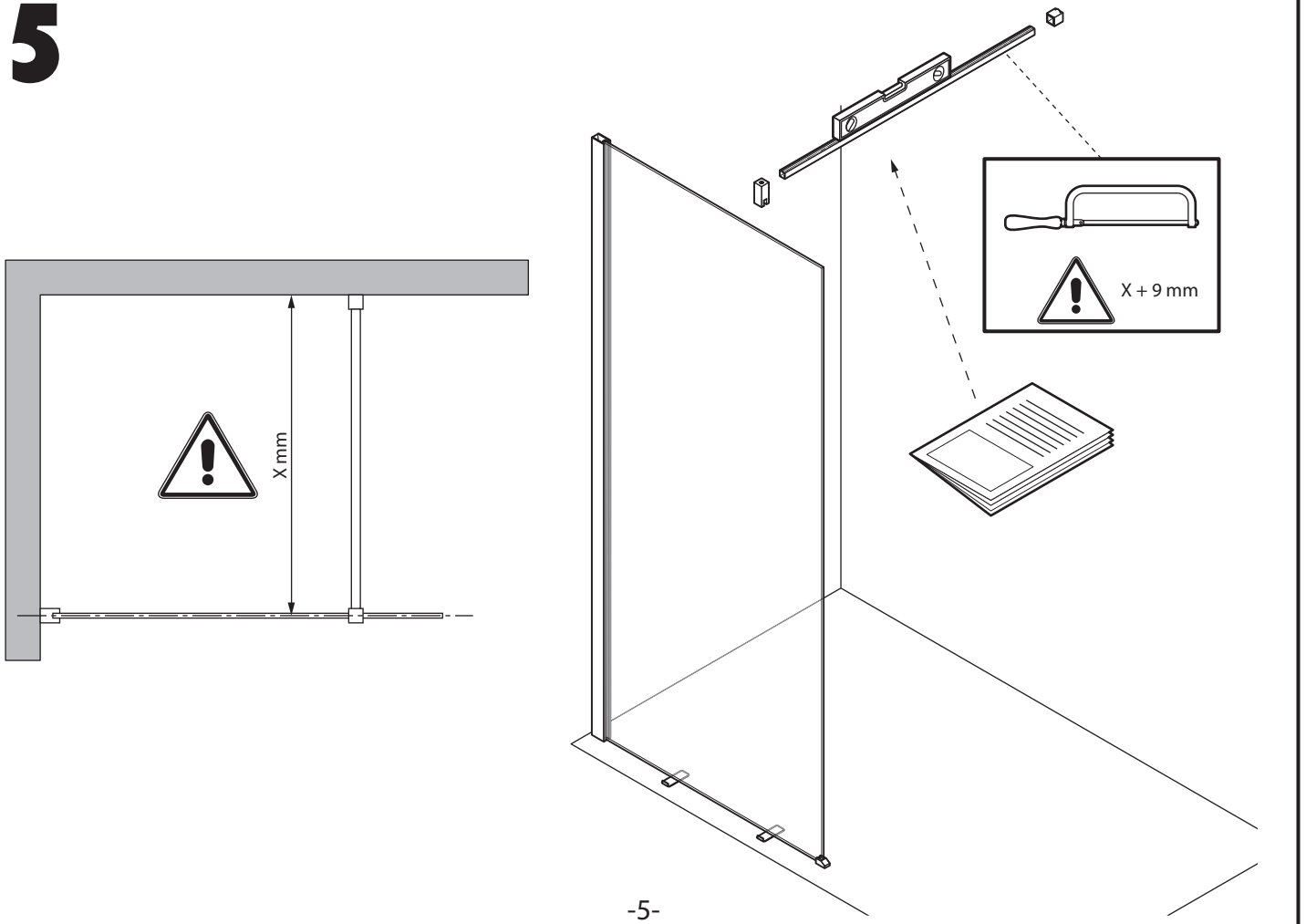
Ceramic



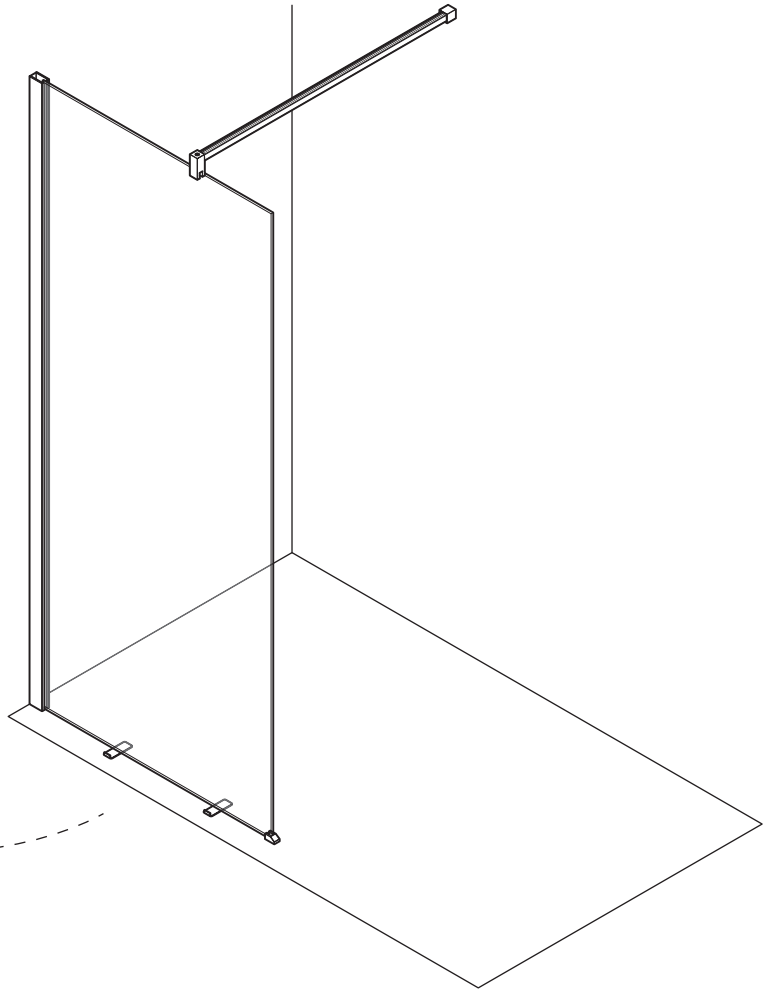
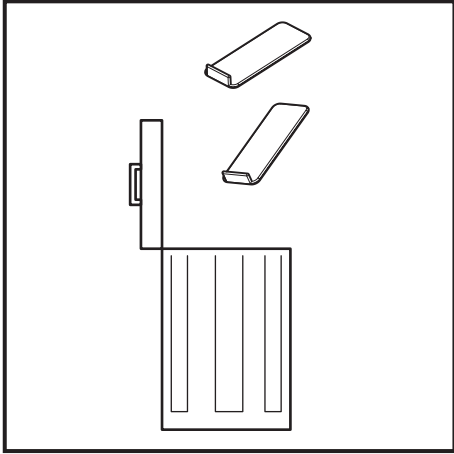
4



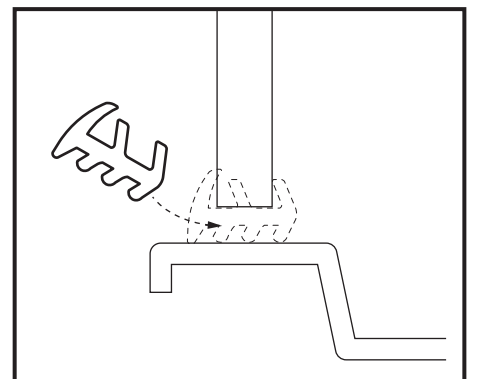
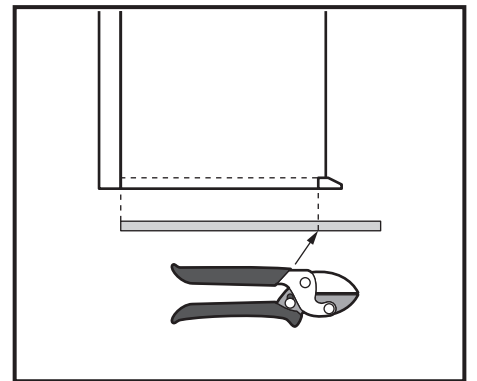
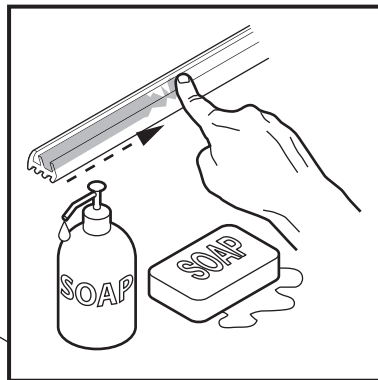
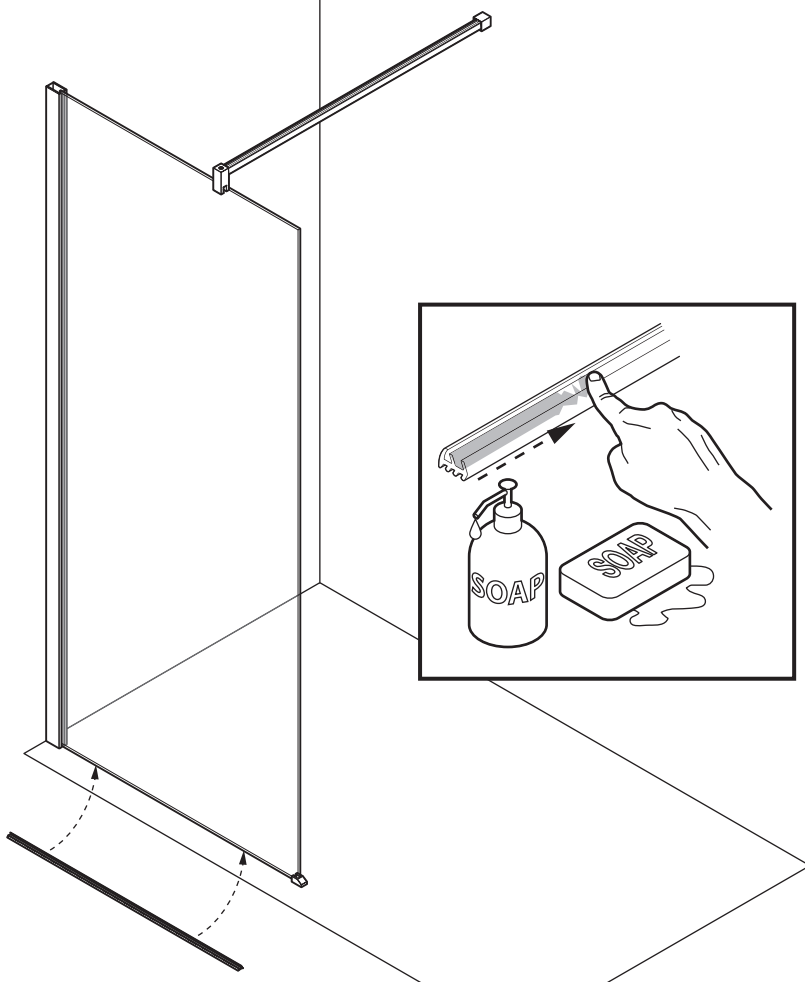
5



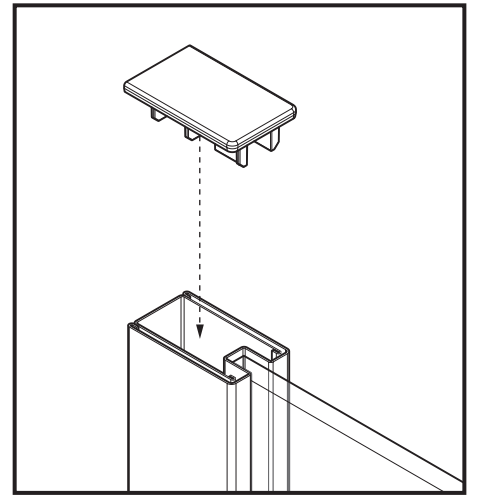
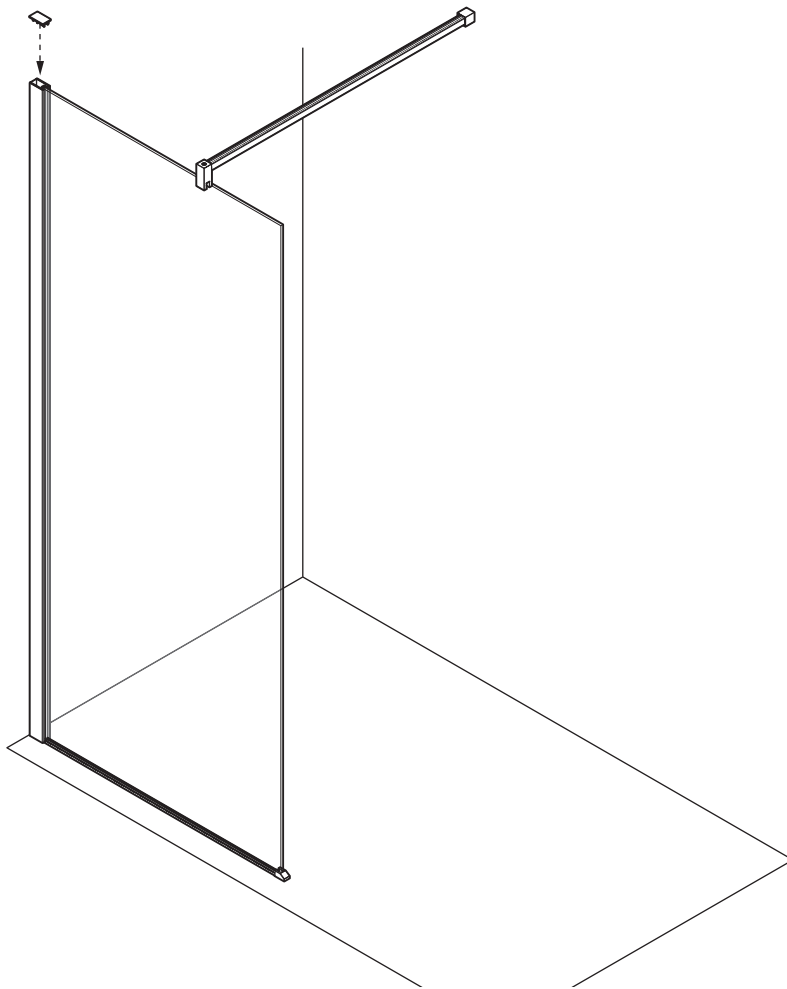
6



7



8



9

