

Shower trays

# Shower Trays

ref. **6** **LOW PROFILE Acrylic capped**

Measurements (cm) **
<b>SQUARE</b>
cm 76 x 76
cm 80 x 80
cm 90 x 90
cm 100 x 100

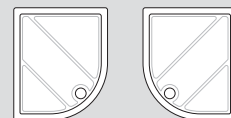
Code	Height	Rim Width	Kg	Price
<b>white</b>				
■ LP75S-30	cm 4.5	cm 6.5	25	
■ LP80S-30	cm 4.5	cm 6.5	30	
■ LP90S-30	cm 4.5	cm 6.5	39	
■ LP100S-30	cm 4.5	cm 6.5	45	

Measurements (cm) **
<b>RECTANGLE</b>
cm 90 x 76
cm 100 x 80
cm 110 x 80
cm 120 x 80
cm 120 x 90
cm 140 x 90

Code	Height	Rim Width	Kg	Price
<b>white</b>				
■ LP7590-30	cm 4.5	cm 6.5	33	
■ LP80100-30	cm 4.5	cm 6.5	37	
■ LP80110-30	cm 4.5	cm 6.5	41	
■ LP80120-30	cm 4.5	cm 6.5	43	
■ LP90120-30	cm 4.5	cm 6.5	47	
■ LP90140-30	cm 4.5	cm 6.5	57	

Measurements (cm) **
<b>QUADRANT</b>
cm 80 x 80
cm 90 x 90
cm 100 x 100
cm 90 x 80 right
cm 90 x 80 left
cm 100 x 80 right
cm 100 x 80 left
cm 120 x 80 right
cm 120 x 80 left
cm 120 x 90 right
cm 120 x 90 left

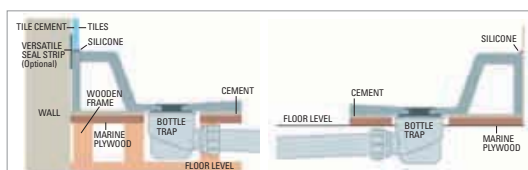
Code	Height	Rim Width	Kg	Price
<b>white</b>				
■ LP80-30	cm 4.5	cm 6.5	31	
■ LP90-30	cm 4.5	cm 6.5	37	
■ LP100-30	cm 4.5	cm 6.5	44	
■ LP8090R-30	cm 4.5	cm 6.5	35	
■ LP8090L-30	cm 4.5	cm 6.5	35	
■ LP80100R-30	cm 4.5	cm 6.5	37	
■ LP80100L-30	cm 4.5	cm 6.5	37	
■ LP80120R-30	cm 4.5	cm 6.5	43	
■ LP80120L-30	cm 4.5	cm 6.5	43	
■ LP90120R-30	cm 4.5	cm 6.5	47	
■ LP90120L-30	cm 4.5	cm 6.5	47	



L/H

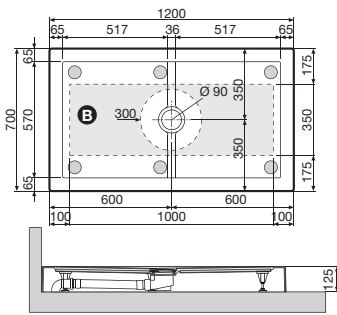
R/H

FAST FLOW WASTE INCLUDED  
For technical details see page 258.

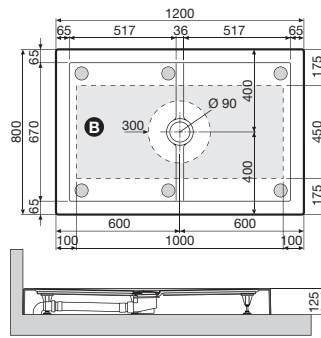


■ STOCK UK

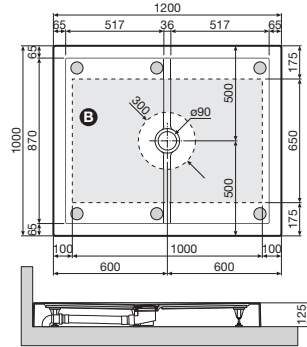
**Olympic Plus 120x70 - h 12,5 cm**



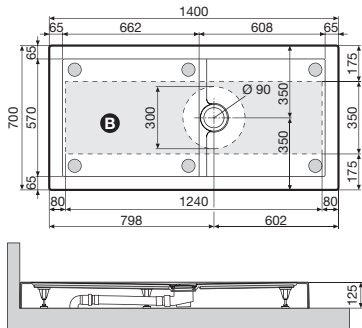
**Olympic Plus 120x80 - h 12,5 cm**



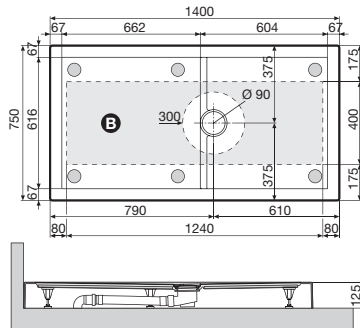
**Olympic Plus 120x100 - h 12,5 cm**



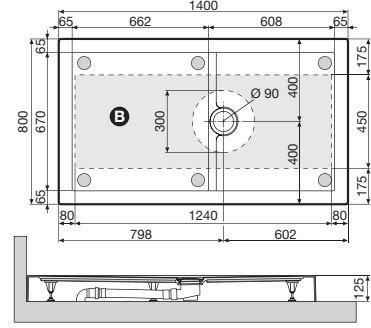
**Olympic Plus 140x70 - h 12,5 cm**



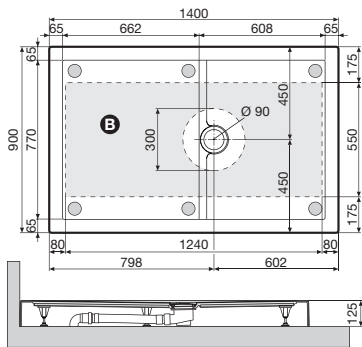
**Olympic Plus 140x75 - h 12,5 cm**



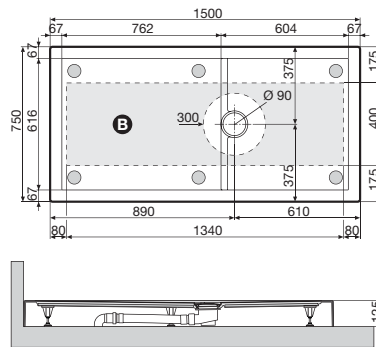
**Olympic Plus 140x80 - h 12,5 cm**



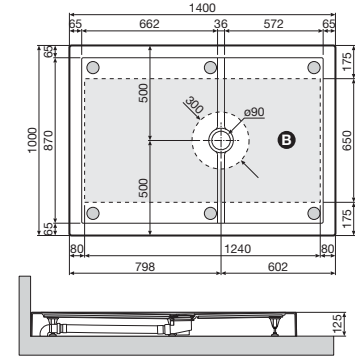
**Olympic Plus 140x90 - h 12,5 cm**



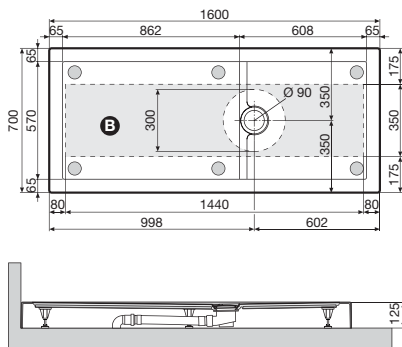
**Olympic Plus 150x75 - h 12,5 cm**



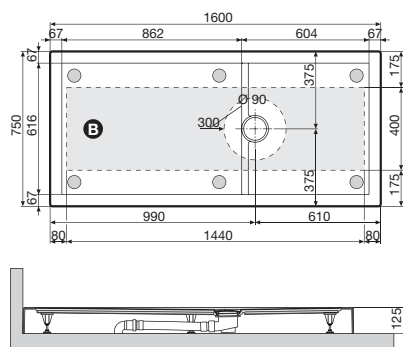
**Olympic Plus 140x100 - h 12,5 cm**



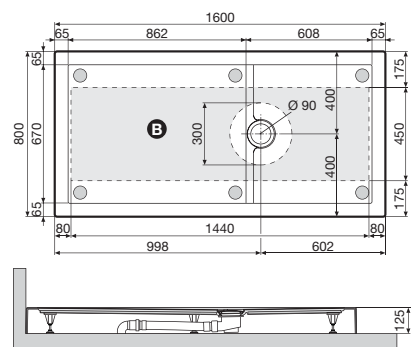
**Olympic Plus 160x70 - h 12,5 cm**



**Olympic Plus 160x75 - h 12,5 cm**



**Olympic Plus 160x80 - h 12,5 cm**



**B** Recommended space for floor-mounted drain

**C** Minimum space required in floor

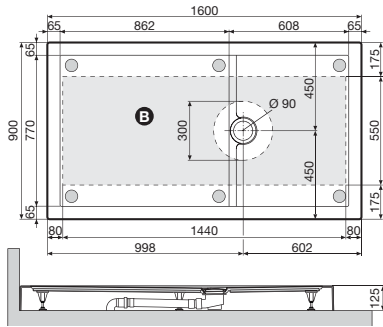


# Technical drawings

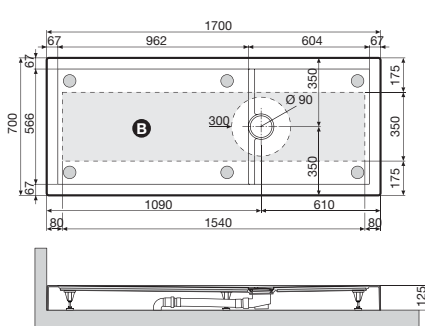
ref. **1** ref. **2** **Olympic Plus** - Rectangular shower tray with waste column

Height 12,5 cm

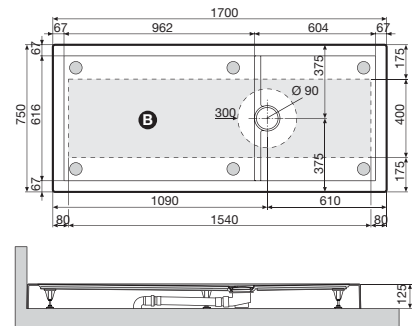
**Olympic Plus 160x90** - h 12,5 cm



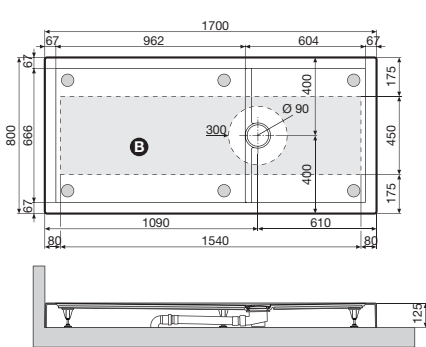
**Olympic Plus 170x70** - h 12,5 cm



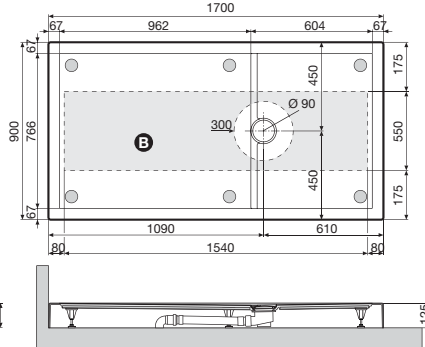
**Olympic Plus 170x75** - h 12,5 cm



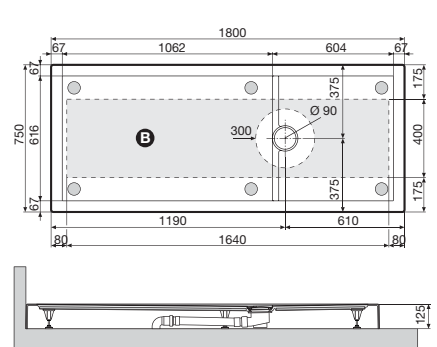
**Olympic Plus 170x80** - h 12,5 cm



**Olympic Plus 170x90** - h 12,5 cm



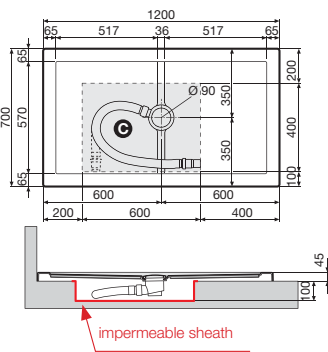
**Olympic Plus 180x75** - h 12,5 cm



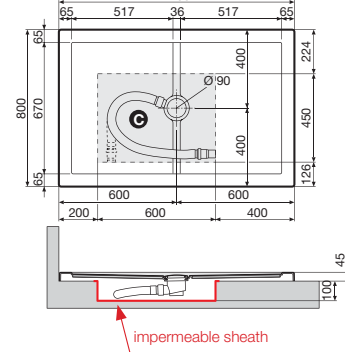
ref. **1** ref. **2** **Olympic Plus** - Rectangular shower tray with waste column

Height 4,5 cm

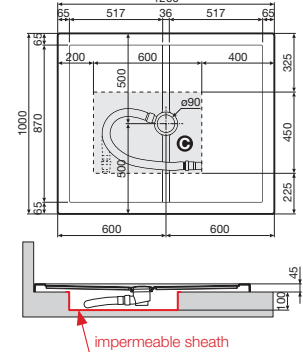
**Olympic Plus 120x70** - h 4,5 cm



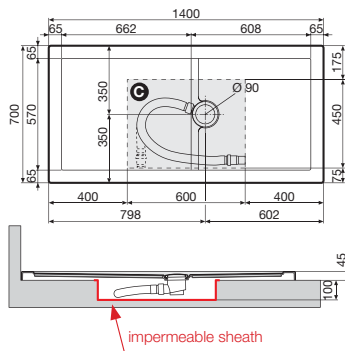
**Olympic Plus 120x80** - h 4,5 cm



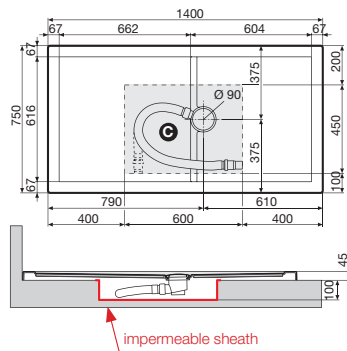
**Olympic Plus 120x100** - h 4,5 cm



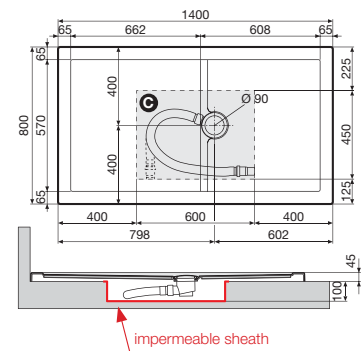
**Olympic Plus 140x70** - h 4,5 cm



**Olympic Plus 140x75** - h 4,5 cm



**Olympic Plus 140x80** - h 4,5 cm



**B** Recommended space for floor-mounted drain

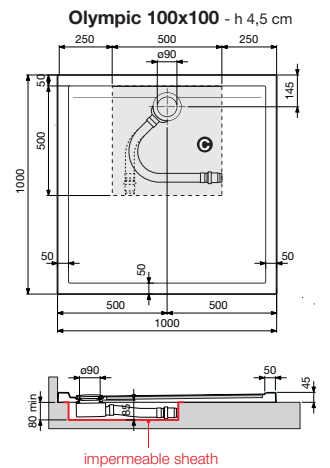
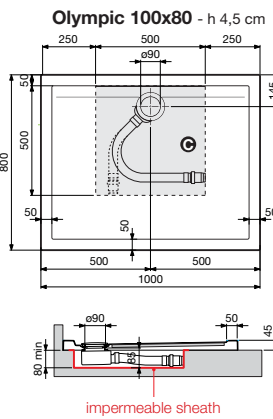
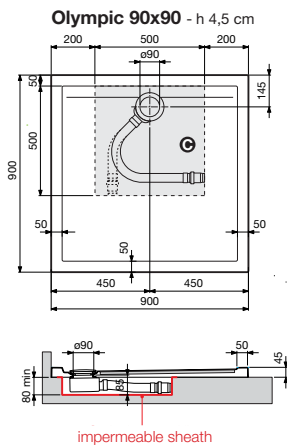
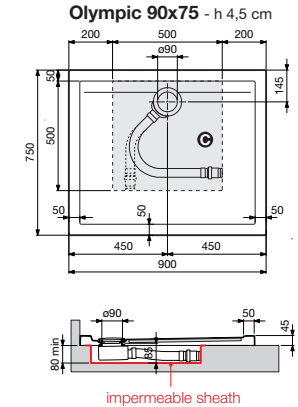
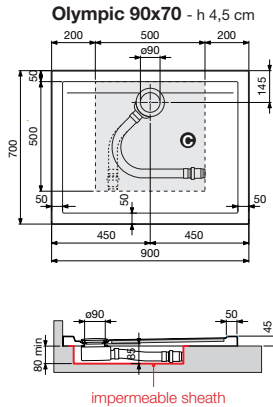
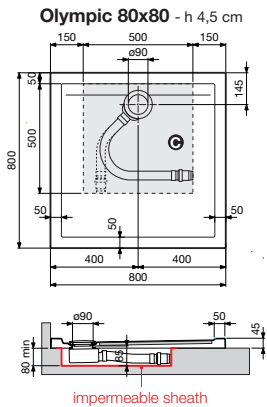
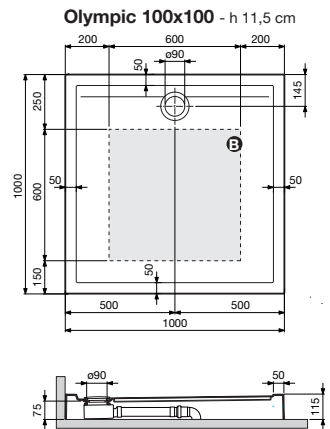
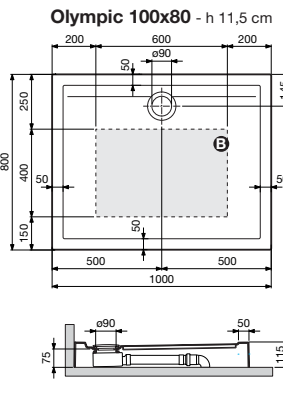
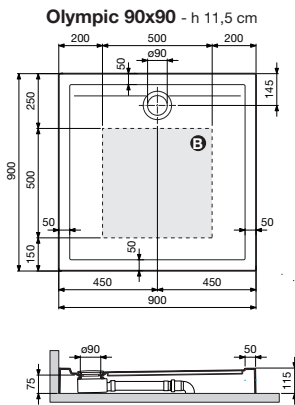
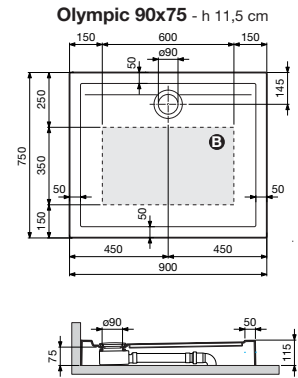
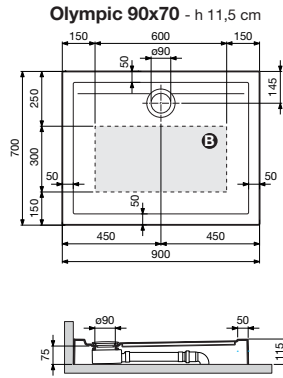
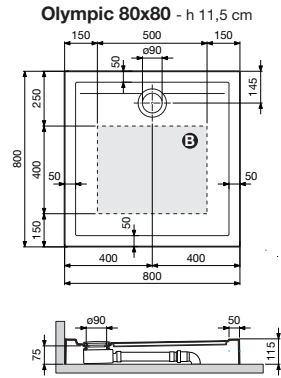
**C** Minimum space required in floor





# Technical drawings

ref. **3** **Olympic Square** - Square and rectangular shower tray



**B** Recommended space for floor-mounted drain

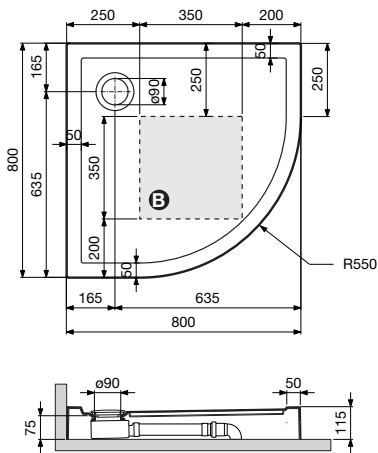
**C** Minimum space required in floor

**35** Foot

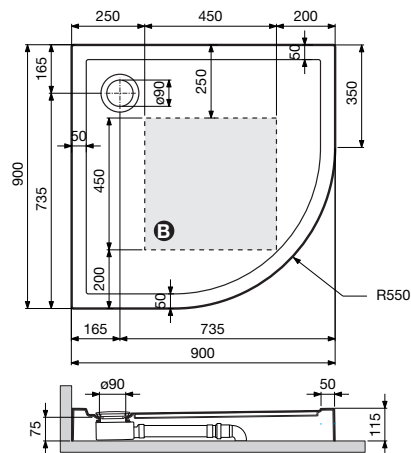
# Technical drawings

ref. **4** Olympic Quad - Quadrant shower tray

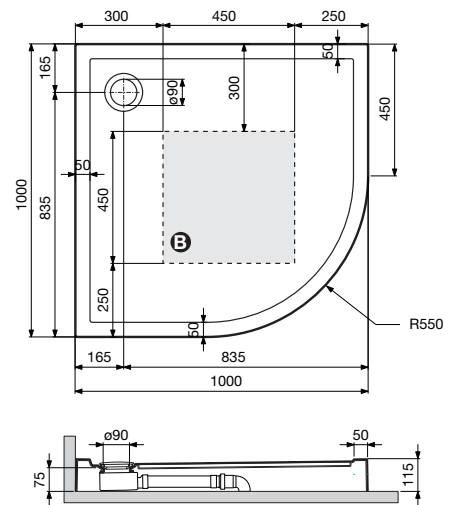
**Olympic Quad R80** - h 11,5 cm



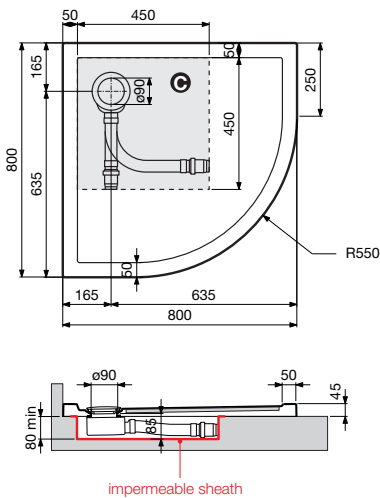
**Olympic Quad R90** - h 11,5 cm



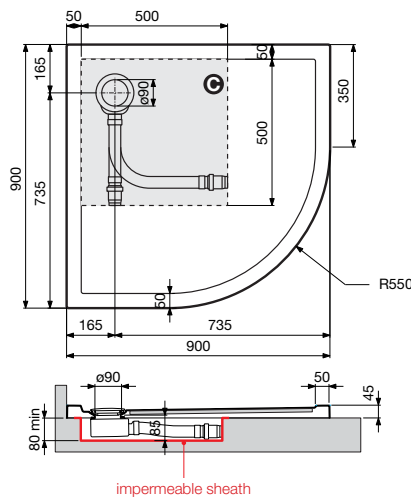
**Olympic Quad R100** - h 11,5 cm



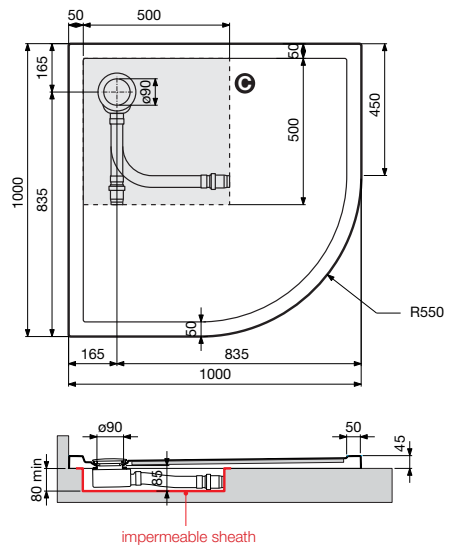
**Olympic Quad R80** - h 4,5 cm



**Olympic Quad R90** - h 4,5 cm



**Olympic Quad R100** - h 4,5 cm



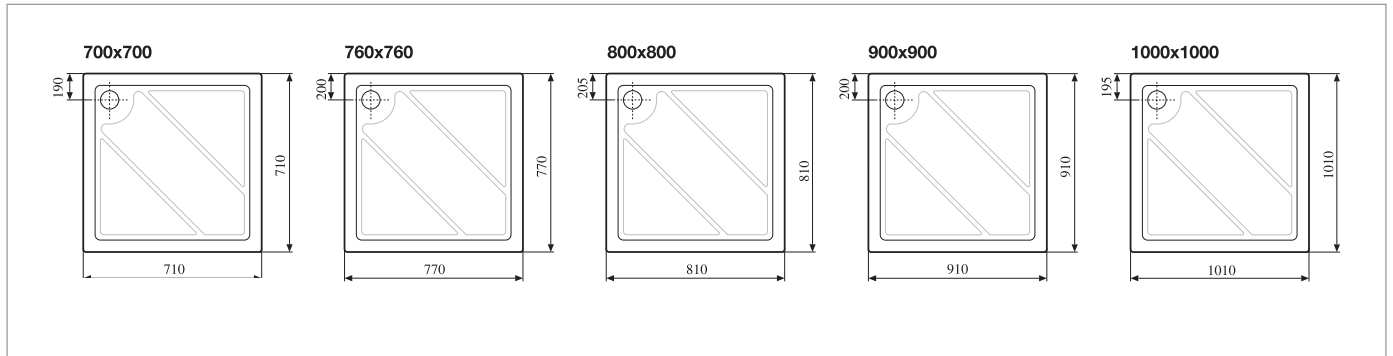
**B** Recommended space for floor-mounted drain

**C** Minimum space required in floor

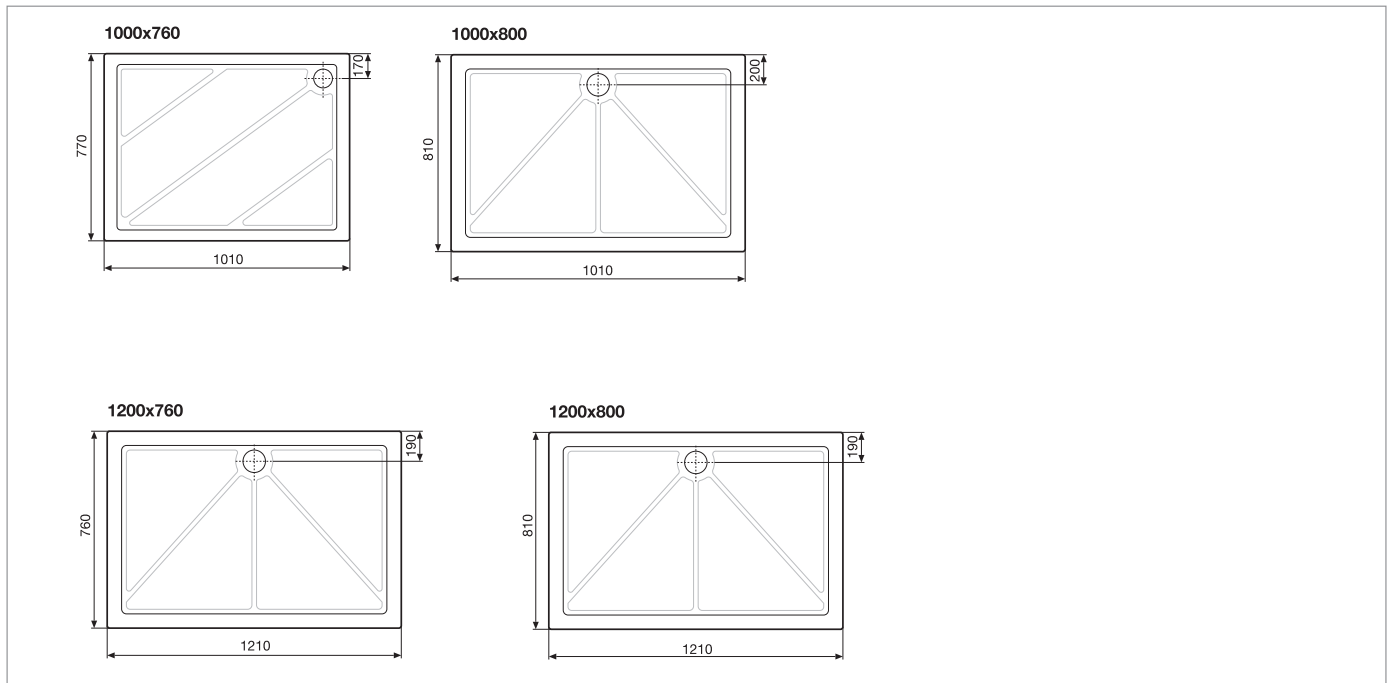


# Technical drawings

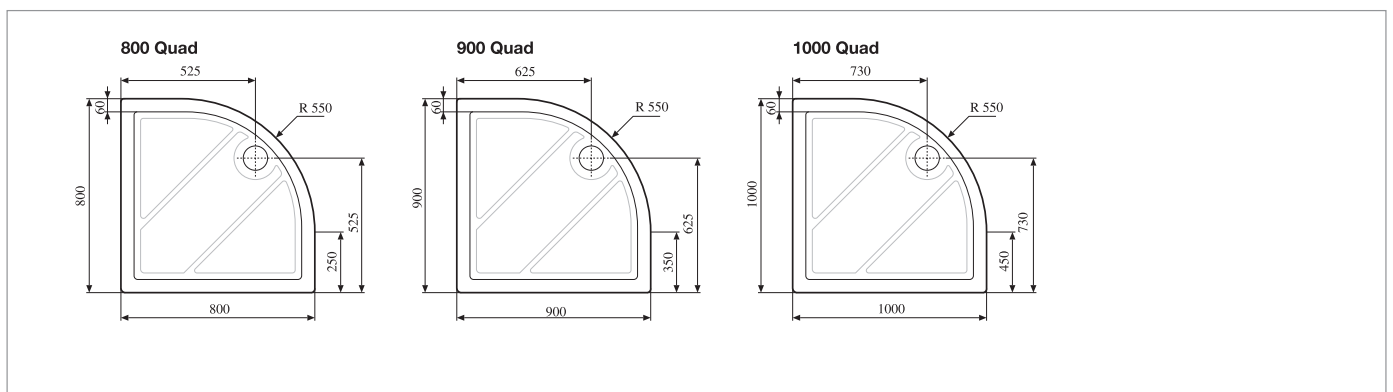
ref. **5** STANDARD Stone trays



STANDARD STONE TRAYS - SQUARE SHOWER TRAYS



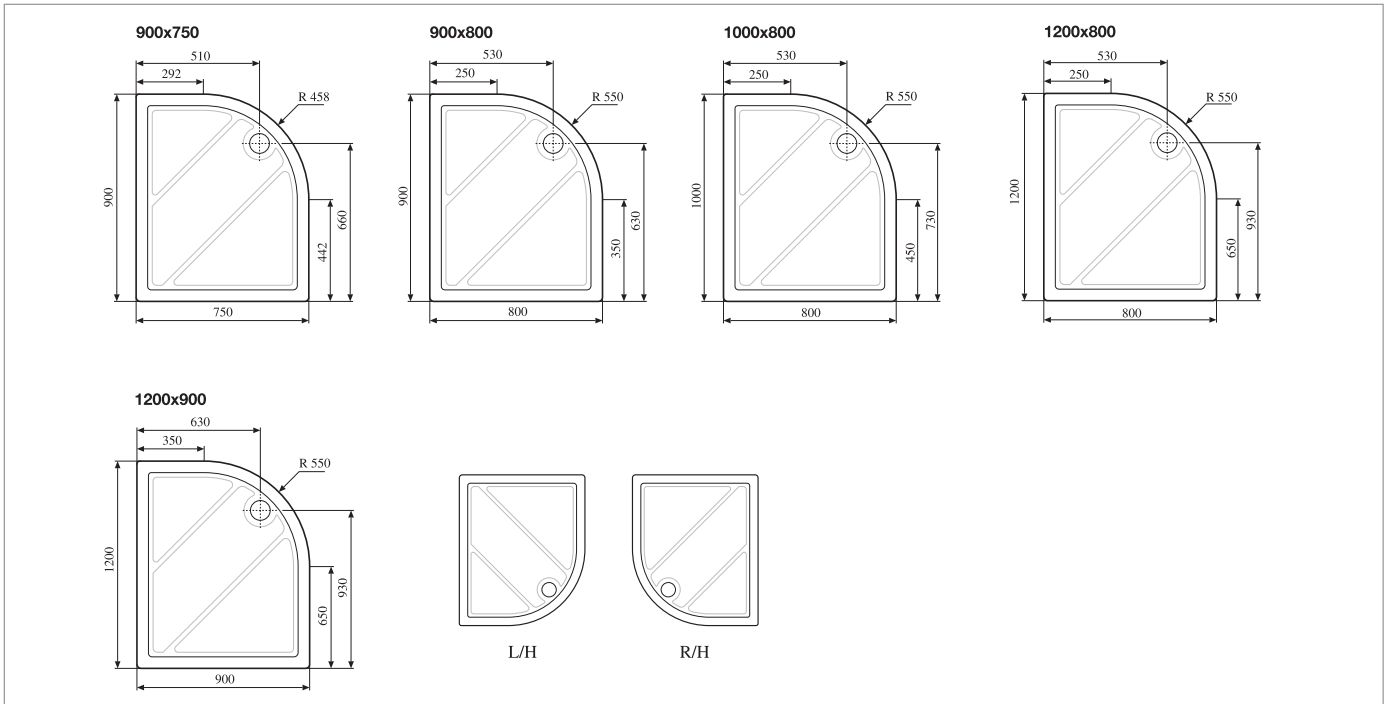
STANDARD STONE TRAYS - RECTANGULAR SHOWER TRAYS



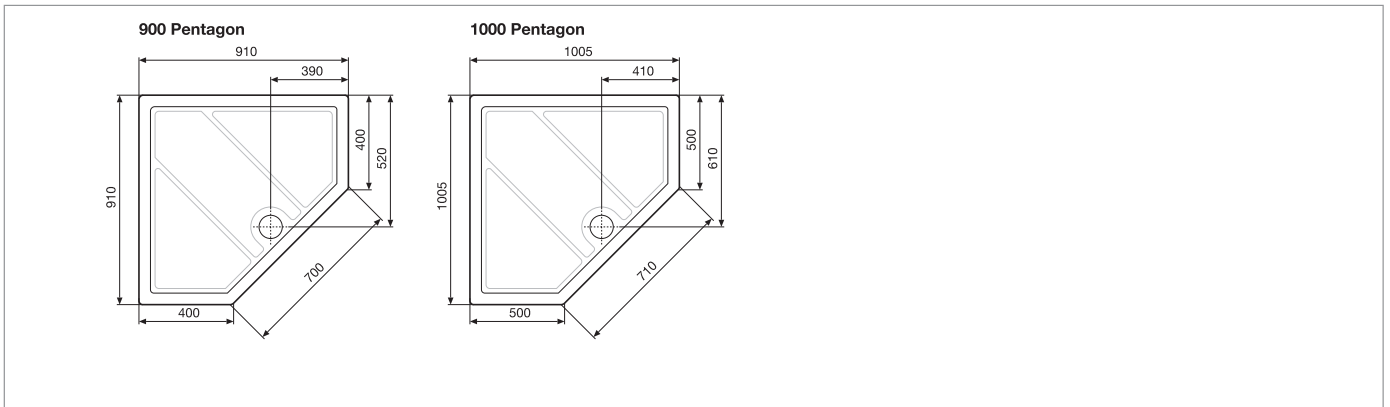
STANDARD STONE TRAYS - QUADRANT SHOWER TRAYS

# Technical drawings

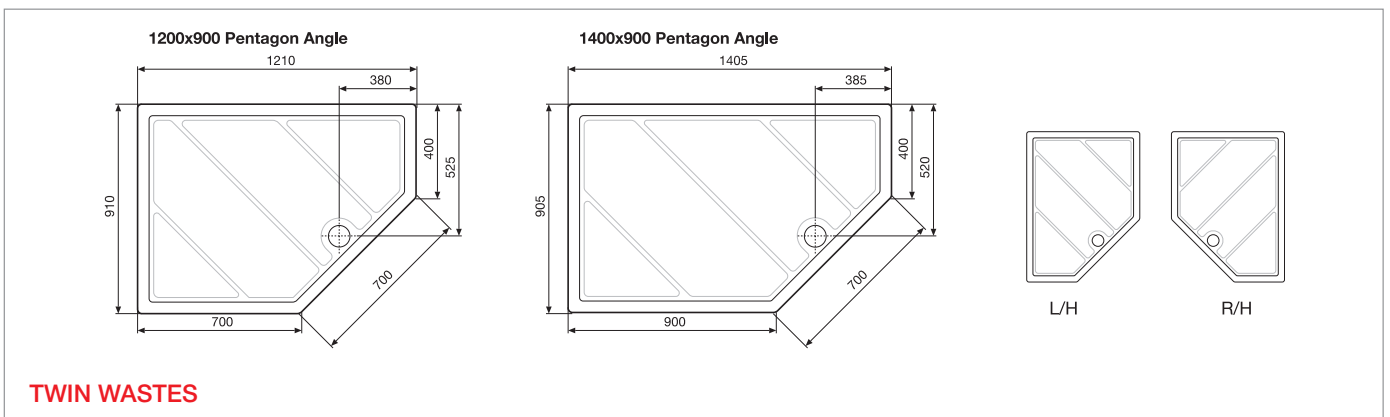
ref. **5** STANDARD Stone trays



STANDARD STONE TRAYS - OFFSET QUADRANT SHOWER TRAYS



STANDARD STONE TRAYS - PENTAGON SHOWER TRAYS



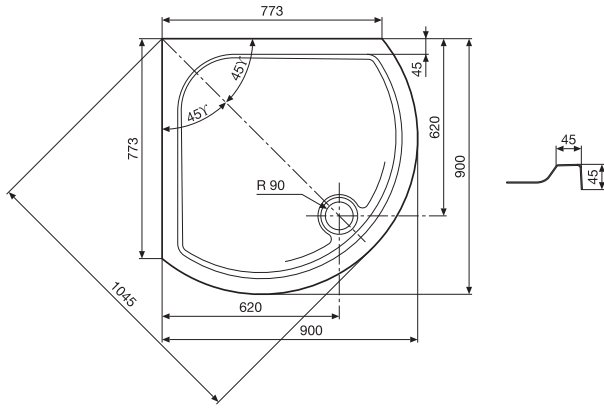
**TWIN WASTES**

STANDARD STONE TRAYS - OFFSET PENTAGON SHOWER TRAYS

# Technical drawings

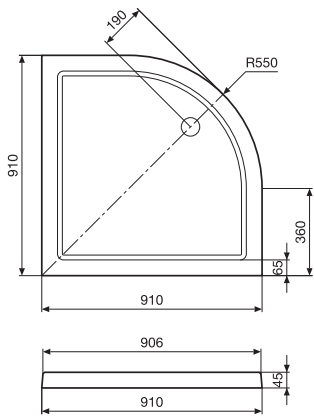
ref. **6** LOW PROFILE Acrylic capped

**RS90 Bow Front Quad Resin Stone Shower Tray**

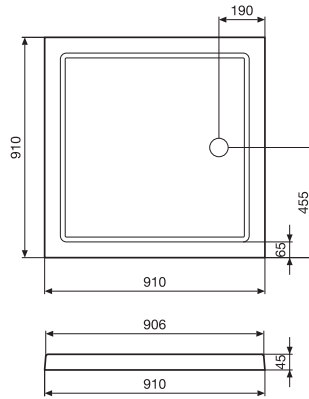


Suitable only for  
VISION RS90 enclosure.

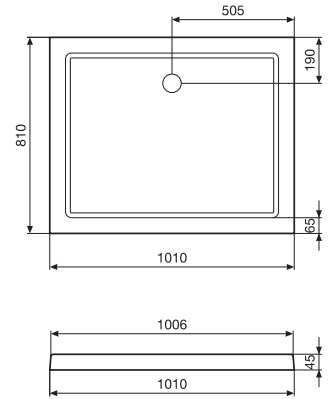
**900 Quad**



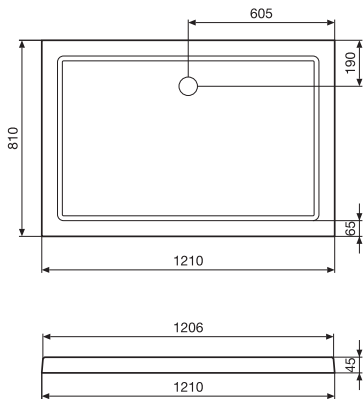
**900x900**



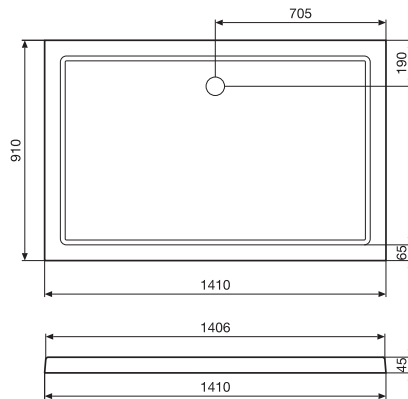
**1000x800**



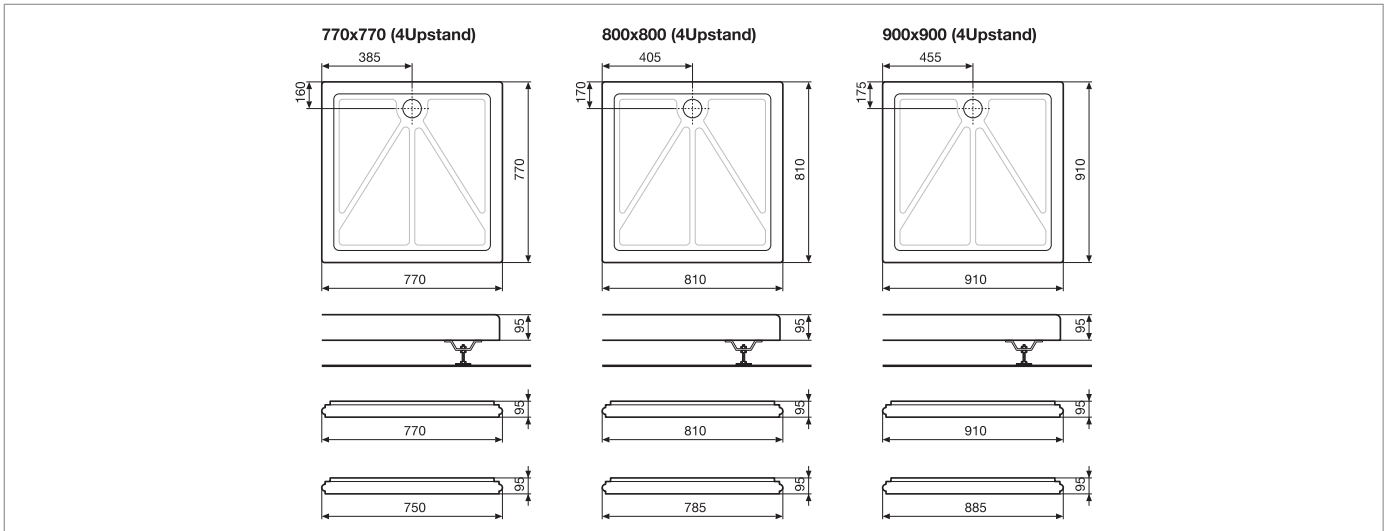
**1200x800**



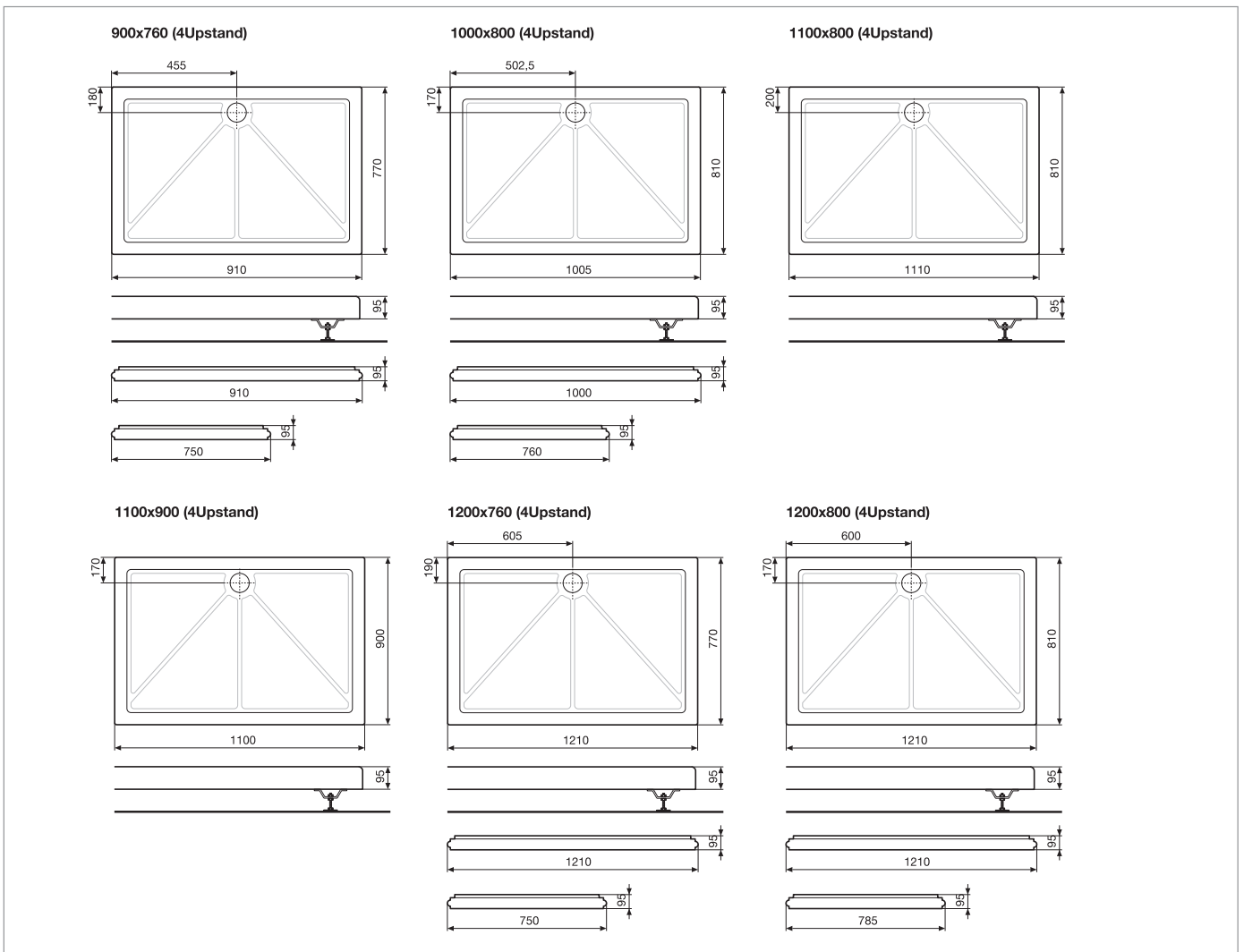
**1400x900**



LOW PROFILE ACRYLIC CAPPED SHOWER TRAYS



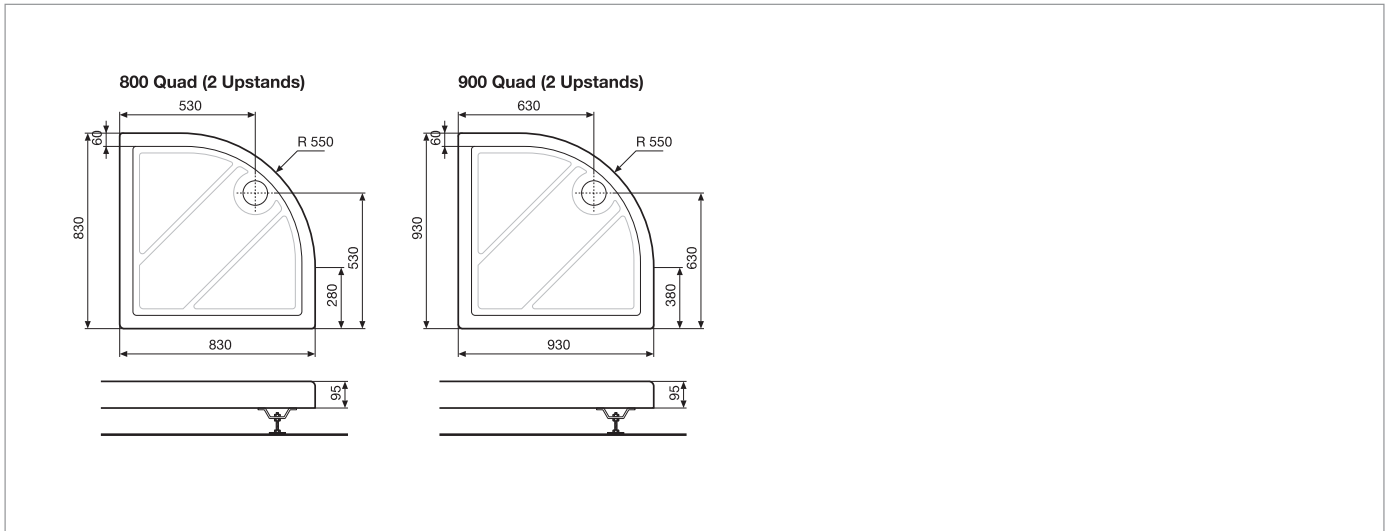
NEW-BUILD STONE TRAYS - SQUARE SHOWER TRAYS



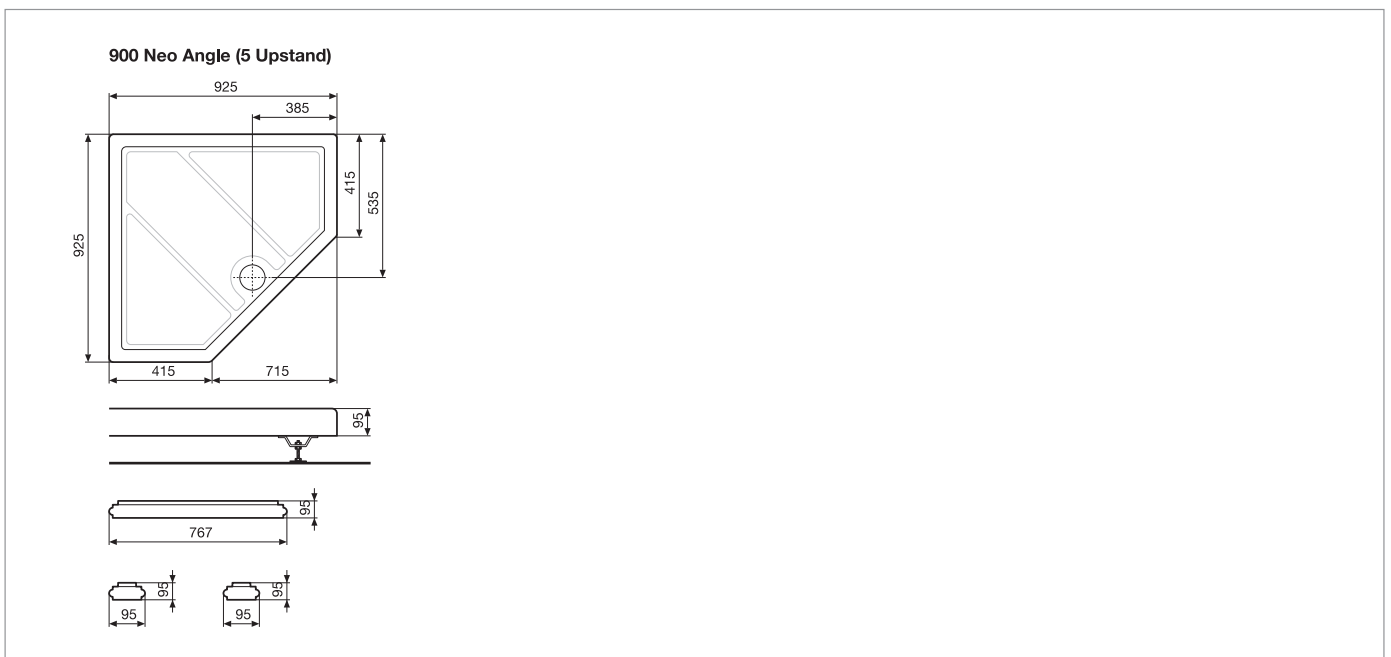
NEW-BUILD STONE TRAYS - RECTANGULAR SHOWER TRAYS

# Technical drawings

ref. **10** NEW-BUILD stone trays



NEW-BUILD STONE TRAYS - **QUADRANT SHOWER TRAYS**



NEW-BUILD STONE TRAYS - **PENTAGON SHOWER TRAYS**