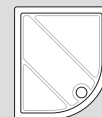


# Shower Trays

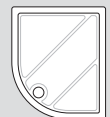
# Shower Trays

## ref. 7 LOW PROFILE Easy plumb acrylic capped

Measurements (cm) **	Code	Height	Rim Width	Kg	Price
<b>SQUARE</b>					
	white				
cm 76 x 76	■ LP75SPFX-30	cm 14	cm 6.5	25	
cm 80 x 80	■ LP80SPFX-30	cm 14	cm 6.5	30	
cm 90 x 90	■ LP90SPFX-30	cm 14	cm 6.5	39	
cm 100 x 100	■ LP100SPFX-30	cm 14	cm 6.5	45	
<b>RECTANGLE</b>					
	white				
cm 90 x 76	■ LP7590PFX-30	cm 14	cm 6.5	33	
cm 100 x 80	■ LP80100PFX-30	cm 14	cm 6.5	37	
cm 110 x 80	■ LP80110PFX-30	cm 14	cm 6.5	41	
cm 120 x 80	■ LP80120PFX-30	cm 14	cm 6.5	43	
cm 120 x 90	■ LP90120PFX-30	cm 14	cm 6.5	47	
cm 140 x 90	■ LP90140PFX-30	cm 14	cm 6.5	57	
<b>QUADRANT R55</b>					
	white				
cm 80 x 80	■ LP80PFX-30	cm 14	cm 6.5	31	
cm 90 x 90	■ LP90PFX-30	cm 14	cm 6.5	37	
cm 100 x 100	■ LP100PFX-30	cm 14	cm 6.5	44	
cm 90 x 80 right	■ LP8090PFRX-30	cm 14	cm 6.5	35	
cm 90 x 80 left	■ LP8090PFLX-30	cm 14	cm 6.5	35	
cm 100 x 80 right	■ LP80100PFRX-30	cm 14	cm 6.5	37	
cm 100 x 80 left	■ LP80100PFLX-30	cm 14	cm 6.5	37	
cm 120 x 80 right	■ LP80120PFRX-30	cm 14	cm 6.5	43	
cm 120 x 80 left	■ LP80120PFLX-30	cm 14	cm 6.5	43	
cm 120 x 90 right	■ LP90120PFRX-30	cm 14	cm 6.5	47	
cm 120 x 90 left	■ LP90120PFLX-30	cm 14	cm 6.5	47	



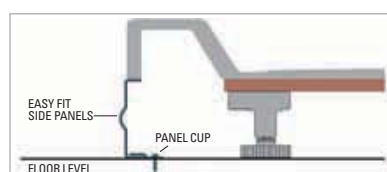
L/H



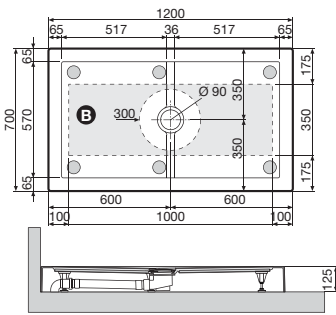
R/H

FAST FLOW WASTE INCLUDED  
For technical details see page 258.

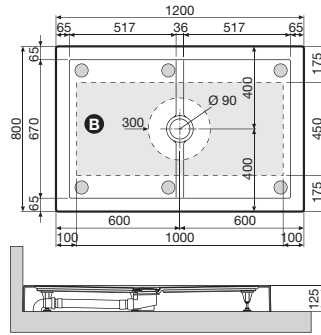
■ STOCK UK



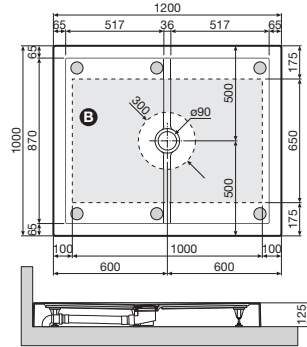
**Olympic Plus 120x70 - h 12,5 cm**



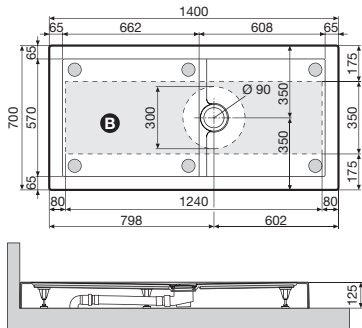
**Olympic Plus 120x80 - h 12,5 cm**



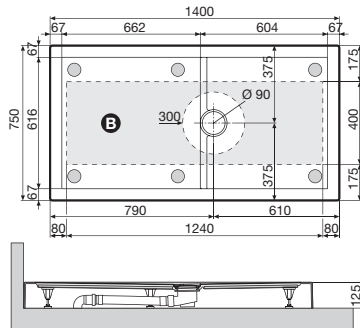
**Olympic Plus 120x100 - h 12,5 cm**



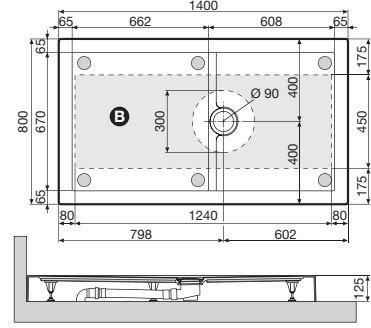
**Olympic Plus 140x70 - h 12,5 cm**



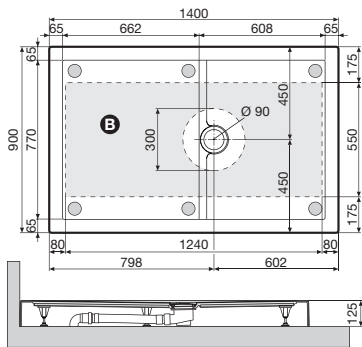
**Olympic Plus 140x75 - h 12,5 cm**



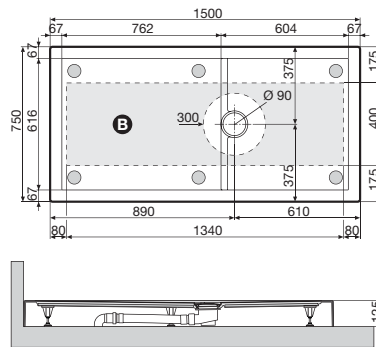
**Olympic Plus 140x80 - h 12,5 cm**



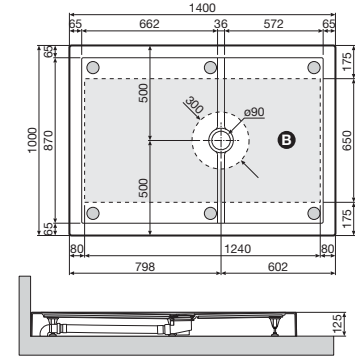
**Olympic Plus 140x90 - h 12,5 cm**



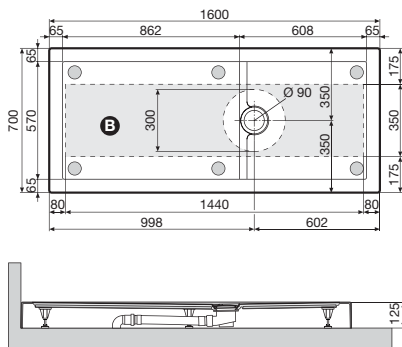
**Olympic Plus 150x75 - h 12,5 cm**



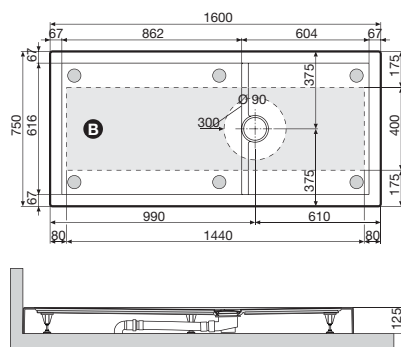
**Olympic Plus 140x100 - h 12,5 cm**



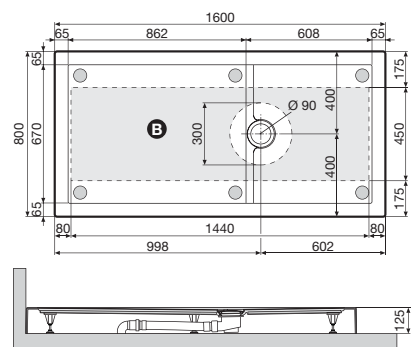
**Olympic Plus 160x70 - h 12,5 cm**



**Olympic Plus 160x75 - h 12,5 cm**



**Olympic Plus 160x80 - h 12,5 cm**



**B** Recommended space for floor-mounted drain

**C** Minimum space required in floor

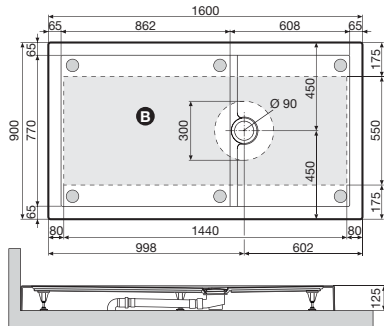


# Technical drawings

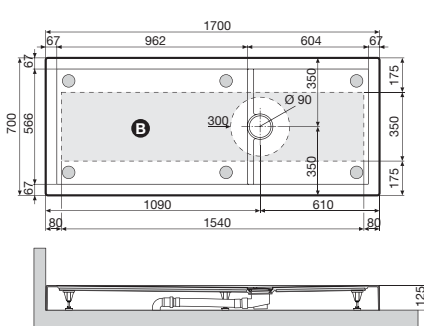
ref. **1** ref. **2** **Olympic Plus** - Rectangular shower tray with waste column

Height 12,5 cm

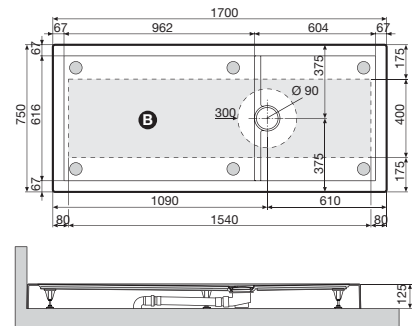
**Olympic Plus 160x90** - h 12,5 cm



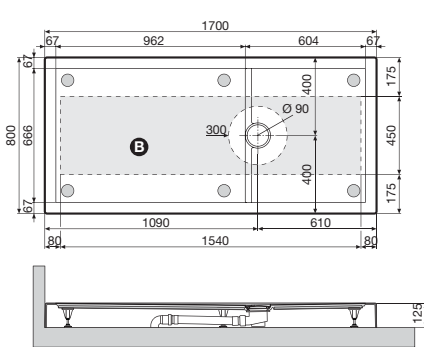
**Olympic Plus 170x70** - h 12,5 cm



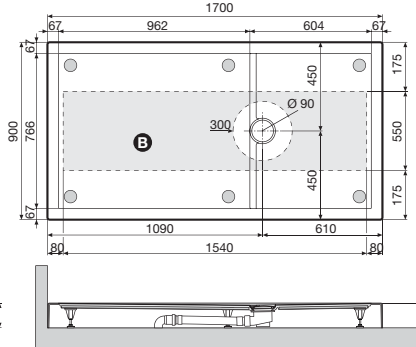
**Olympic Plus 170x75** - h 12,5 cm



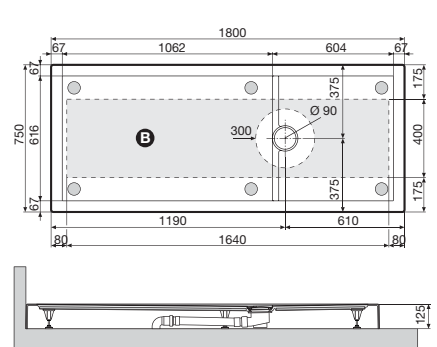
**Olympic Plus 170x80** - h 12,5 cm



**Olympic Plus 170x90** - h 12,5 cm



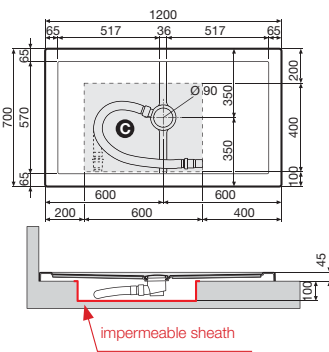
**Olympic Plus 180x75** - h 12,5 cm



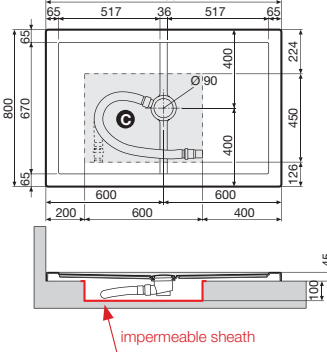
ref. **1** ref. **2** **Olympic Plus** - Rectangular shower tray with waste column

Height 4,5 cm

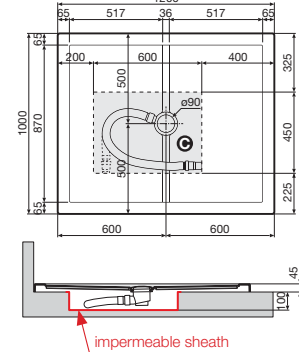
**Olympic Plus 120x70** - h 4,5 cm



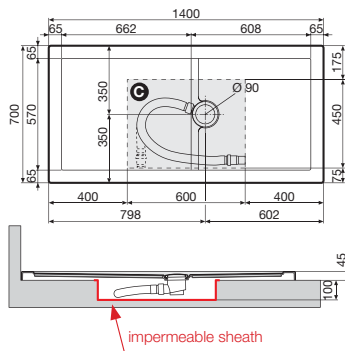
**Olympic Plus 120x80** - h 4,5 cm



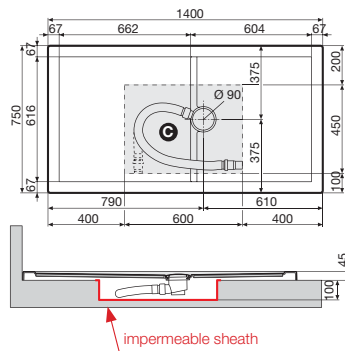
**Olympic Plus 120x100** - h 4,5 cm



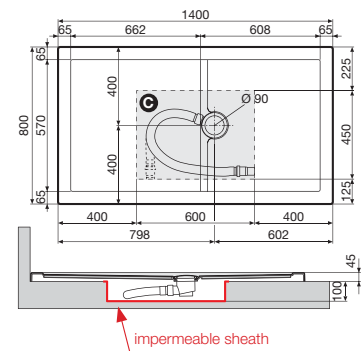
**Olympic Plus 140x70** - h 4,5 cm



**Olympic Plus 140x75** - h 4,5 cm



**Olympic Plus 140x80** - h 4,5 cm



**B** Recommended space for floor-mounted drain

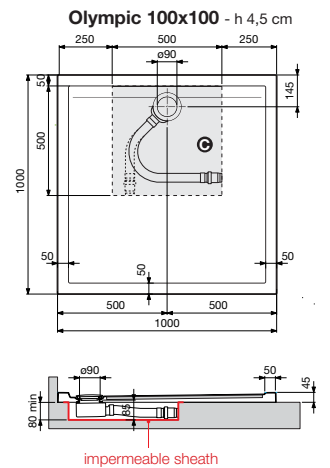
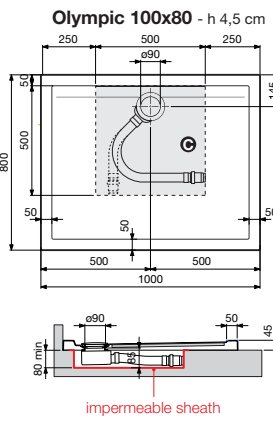
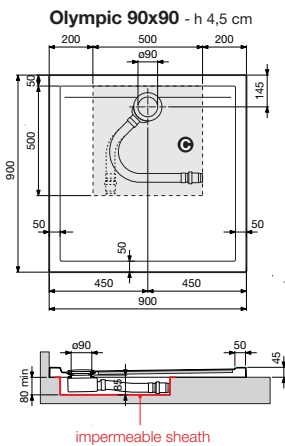
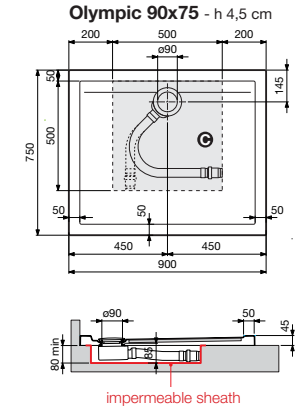
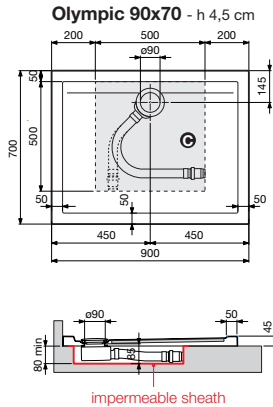
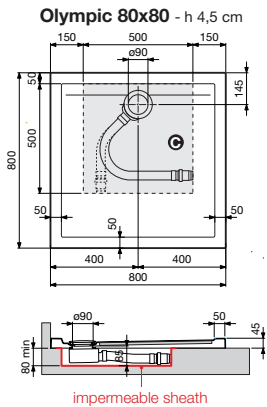
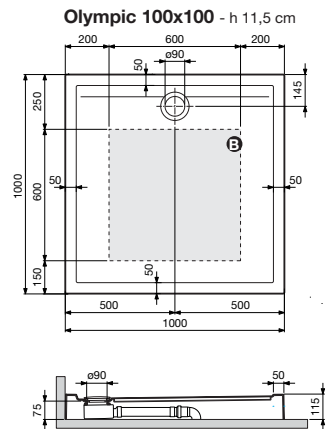
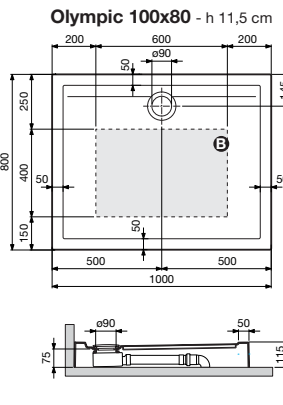
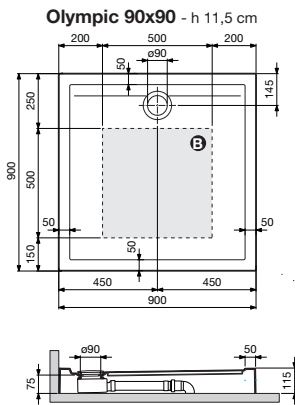
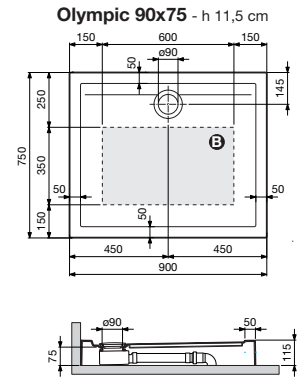
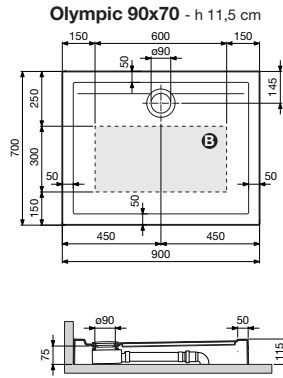
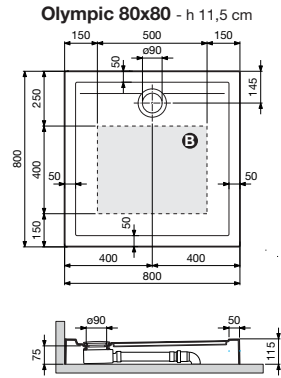
**C** Minimum space required in floor





# Technical drawings

ref. **3** Olympic Square - Square and rectangular shower tray



**B** Recommended space for floor-mounted drain

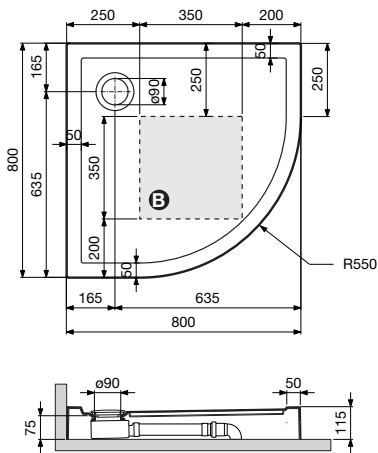
**C** Minimum space required in floor



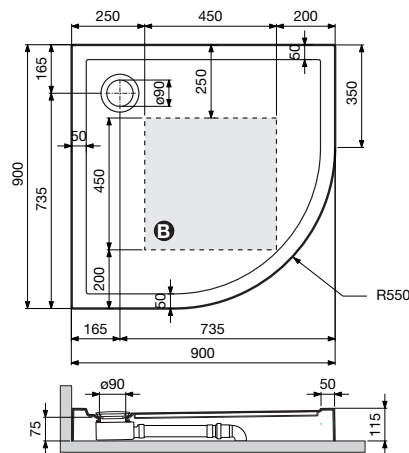
# Technical drawings

ref. **4** Olympic Quad - Quadrant shower tray

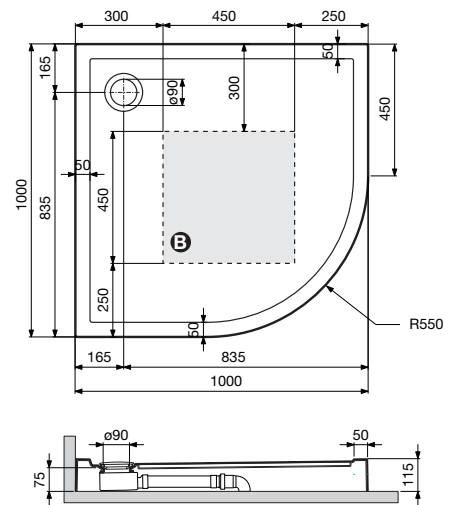
**Olympic Quad R80** - h 11,5 cm



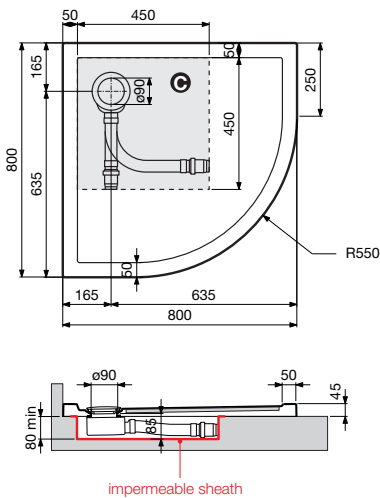
**Olympic Quad R90** - h 11,5 cm



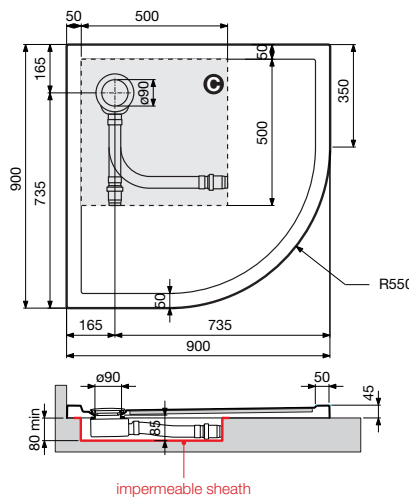
**Olympic Quad R100** - h 11,5 cm



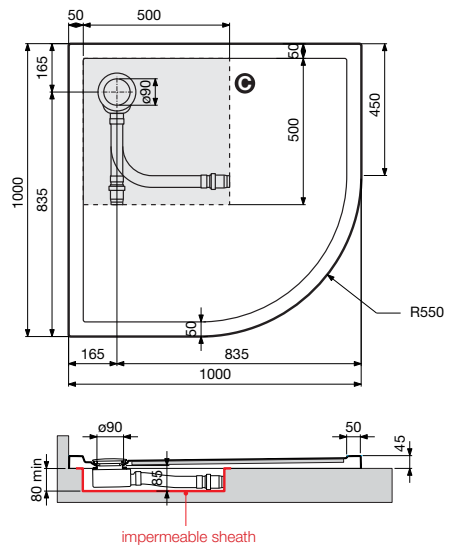
**Olympic Quad R80** - h 4,5 cm



**Olympic Quad R90** - h 4,5 cm



**Olympic Quad R100** - h 4,5 cm



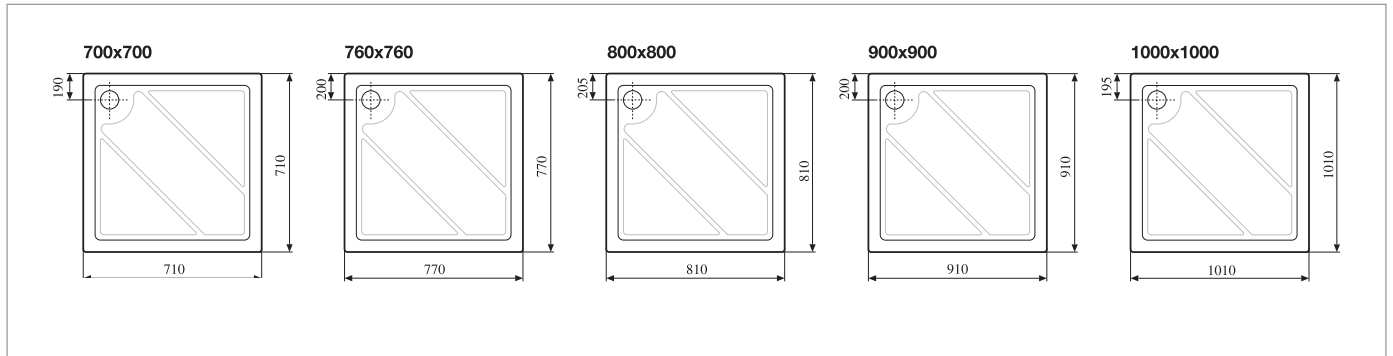
**B** Recommended space for floor-mounted drain

**C** Minimum space required in floor

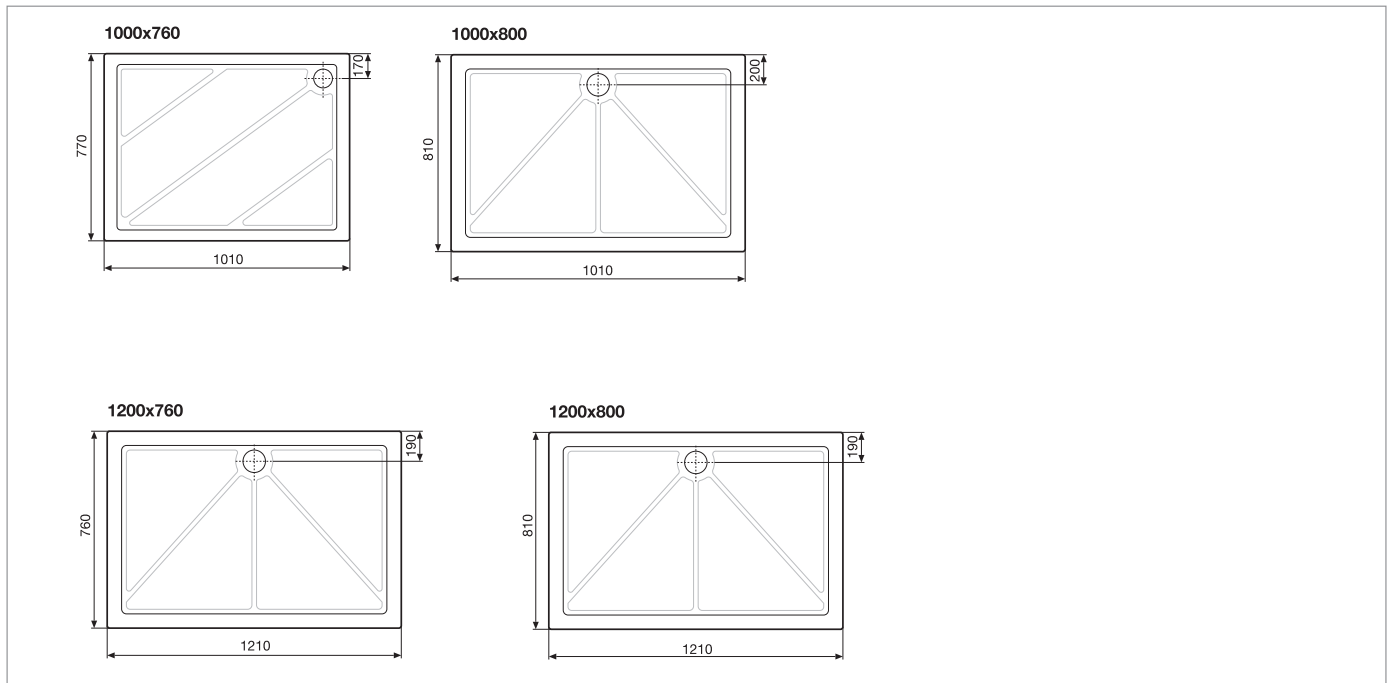


# Technical drawings

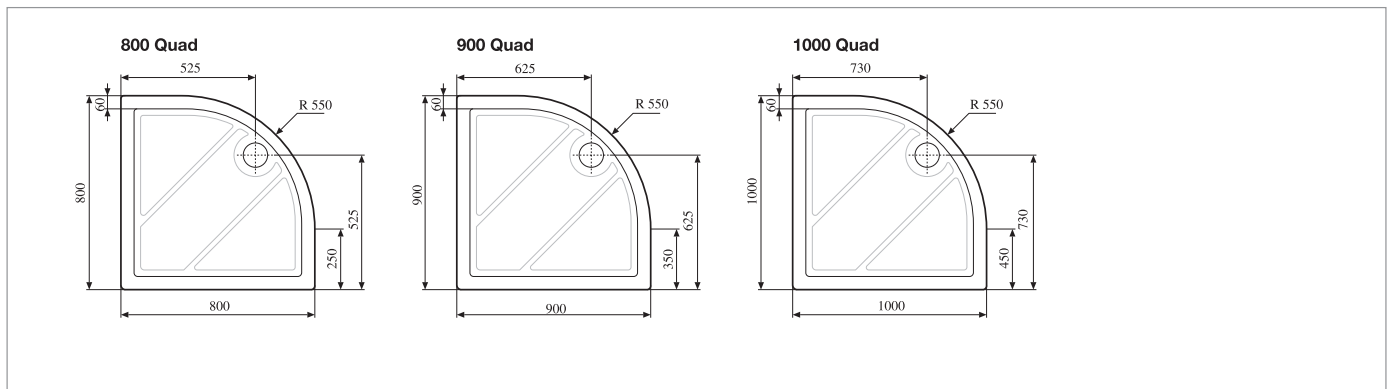
ref. **5** STANDARD Stone trays



STANDARD STONE TRAYS - SQUARE SHOWER TRAYS



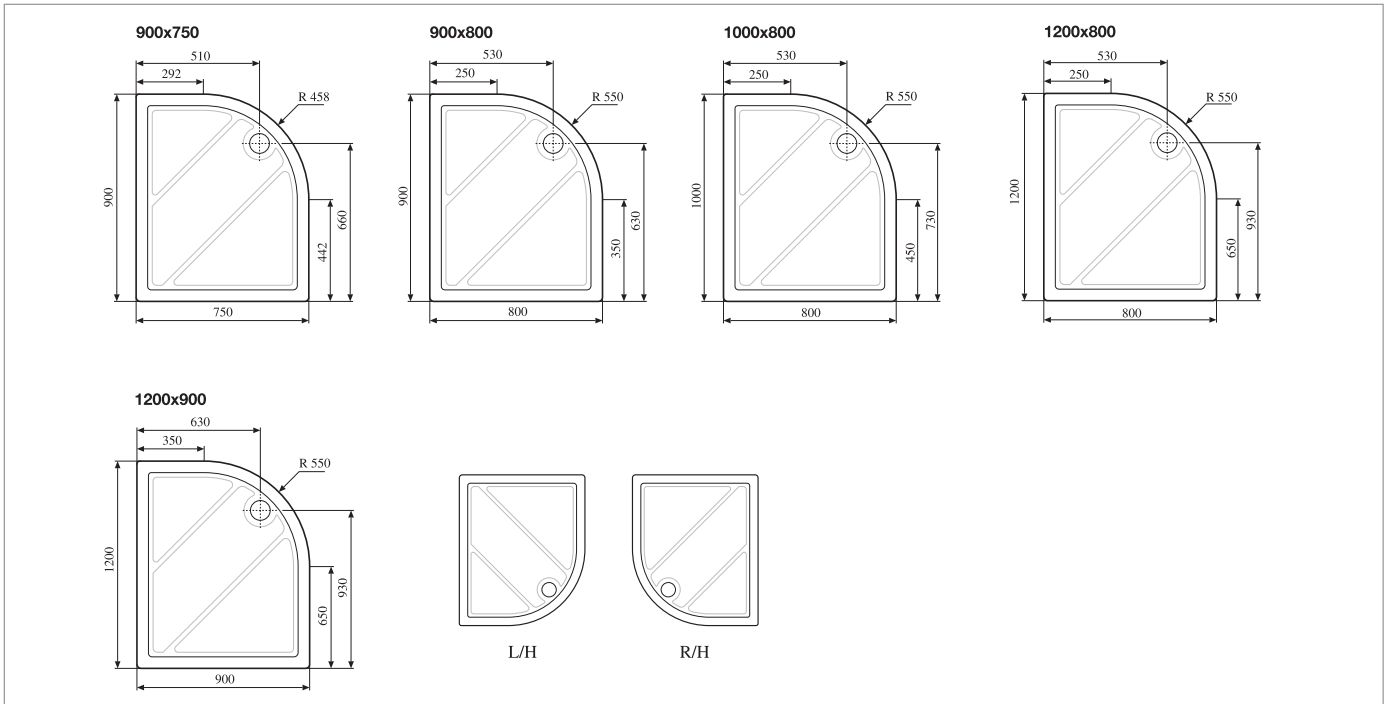
STANDARD STONE TRAYS - RECTANGULAR SHOWER TRAYS



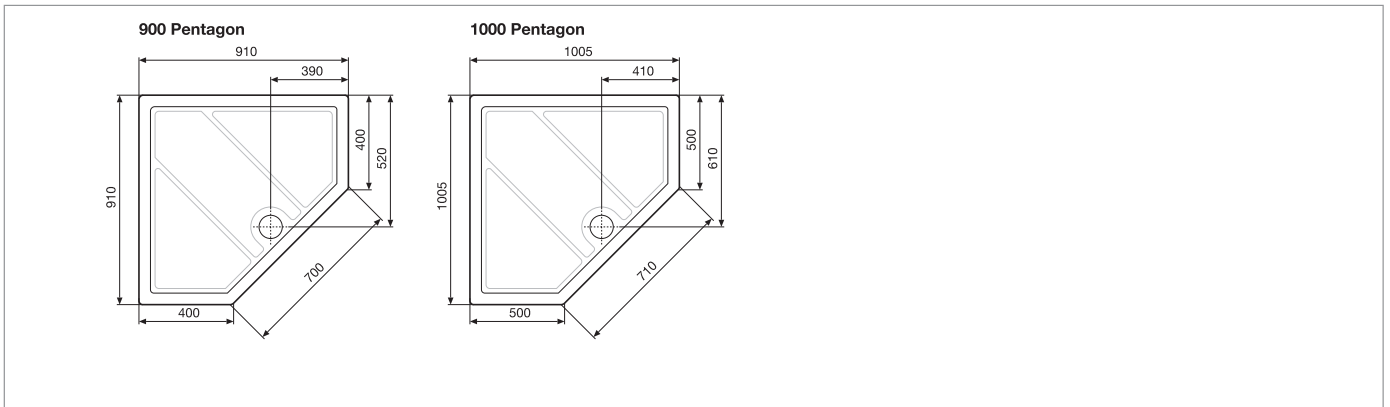
STANDARD STONE TRAYS - QUADRANT SHOWER TRAYS

# Technical drawings

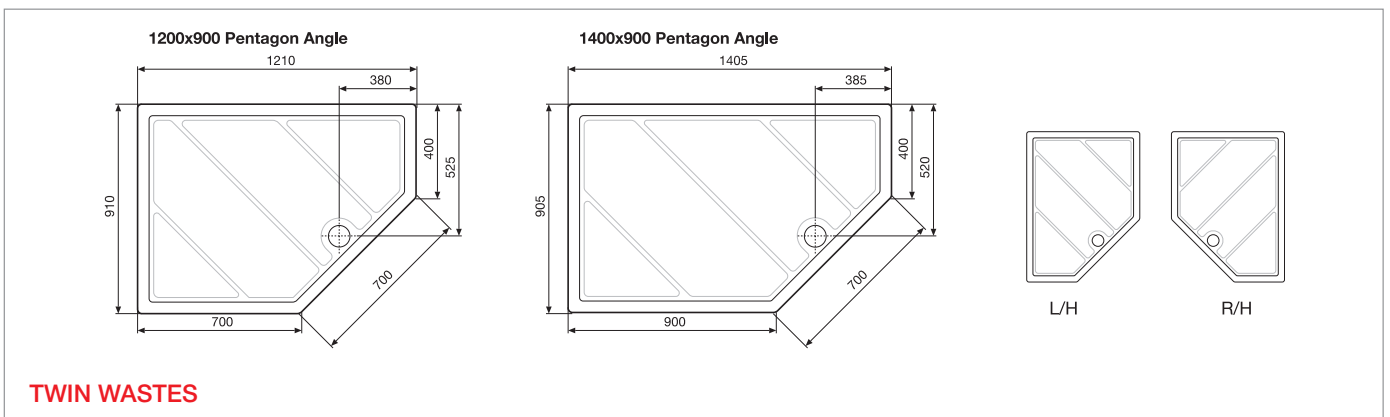
ref. **5** STANDARD Stone trays



STANDARD STONE TRAYS - OFFSET QUADRANT SHOWER TRAYS



STANDARD STONE TRAYS - PENTAGON SHOWER TRAYS



**TWIN WASTES**

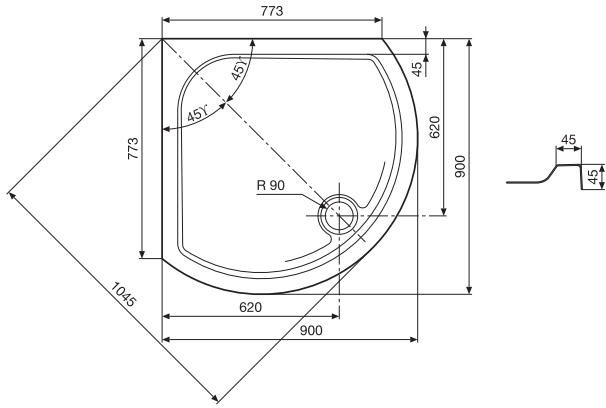
STANDARD STONE TRAYS - OFFSET PENTAGON SHOWER TRAYS

Shower trays

# Technical drawings

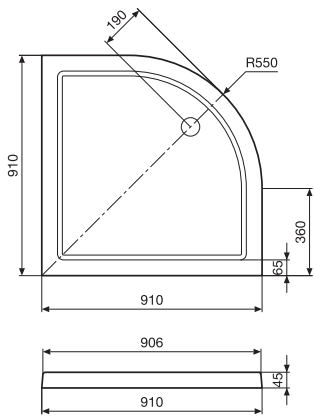
ref. **6** LOW PROFILE Acrylic capped

**RS90 Bow Front Quad Resin Stone Shower Tray**

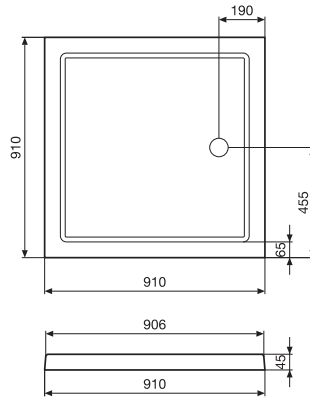


Suitable only for  
VISION RS90 enclosure.

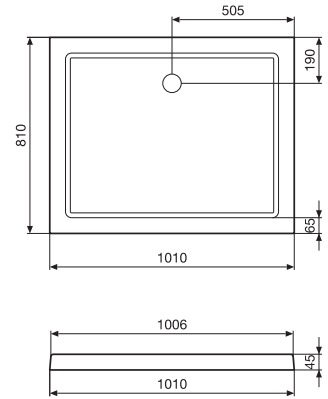
**900 Quad**



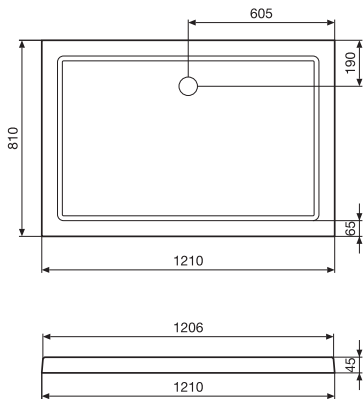
**900x900**



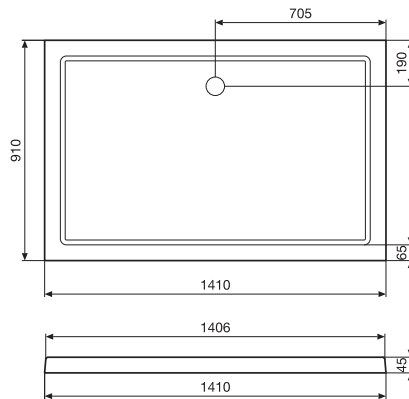
**1000x800**



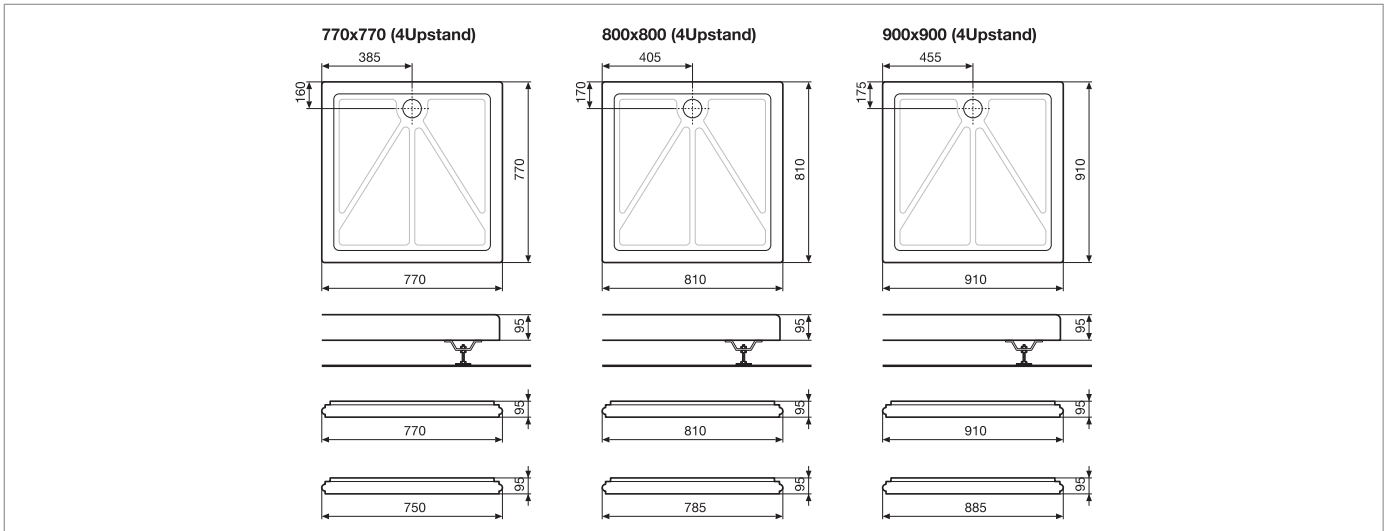
**1200x800**



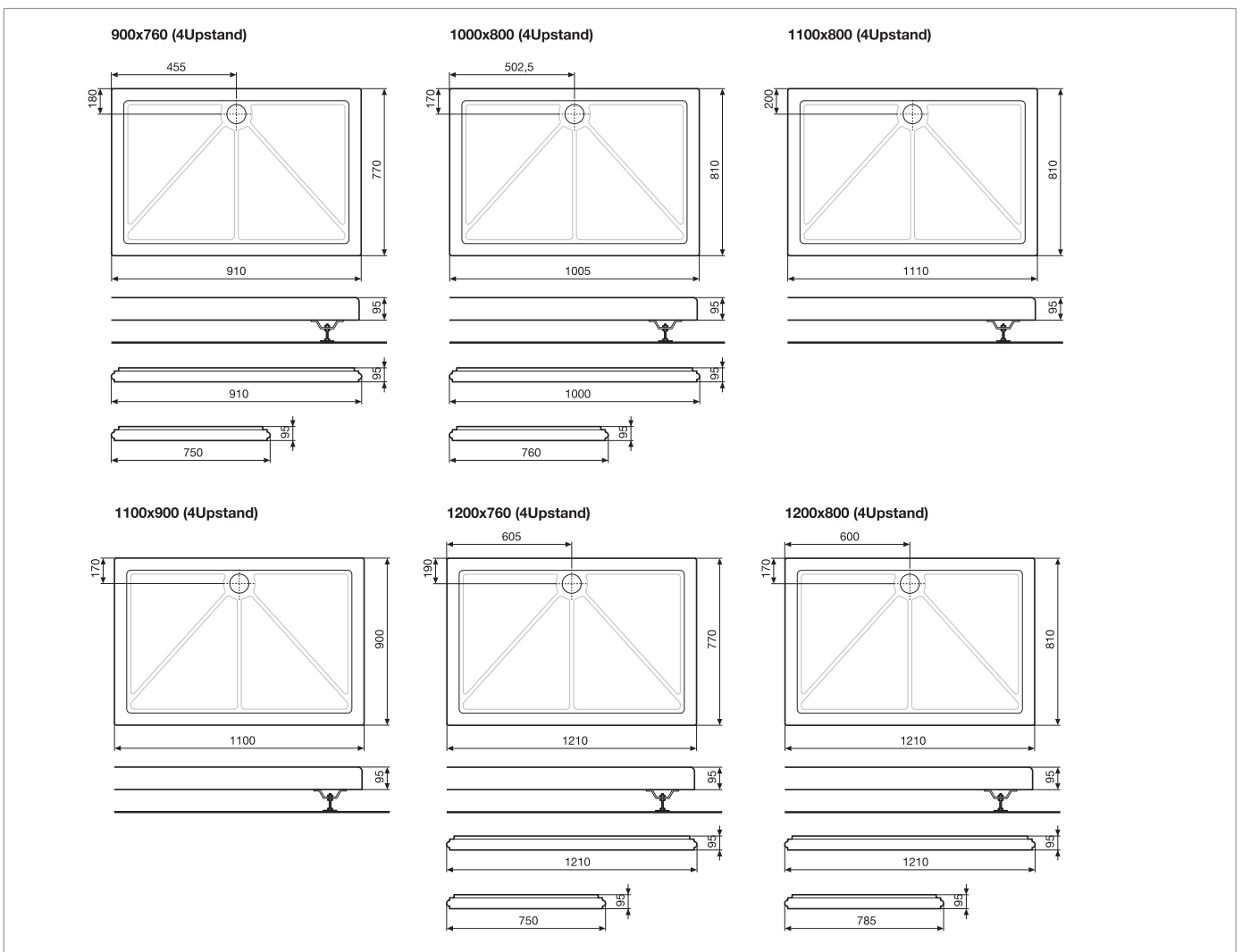
**1400x900**



LOW PROFILE ACRYLIC CAPPED SHOWER TRAYS



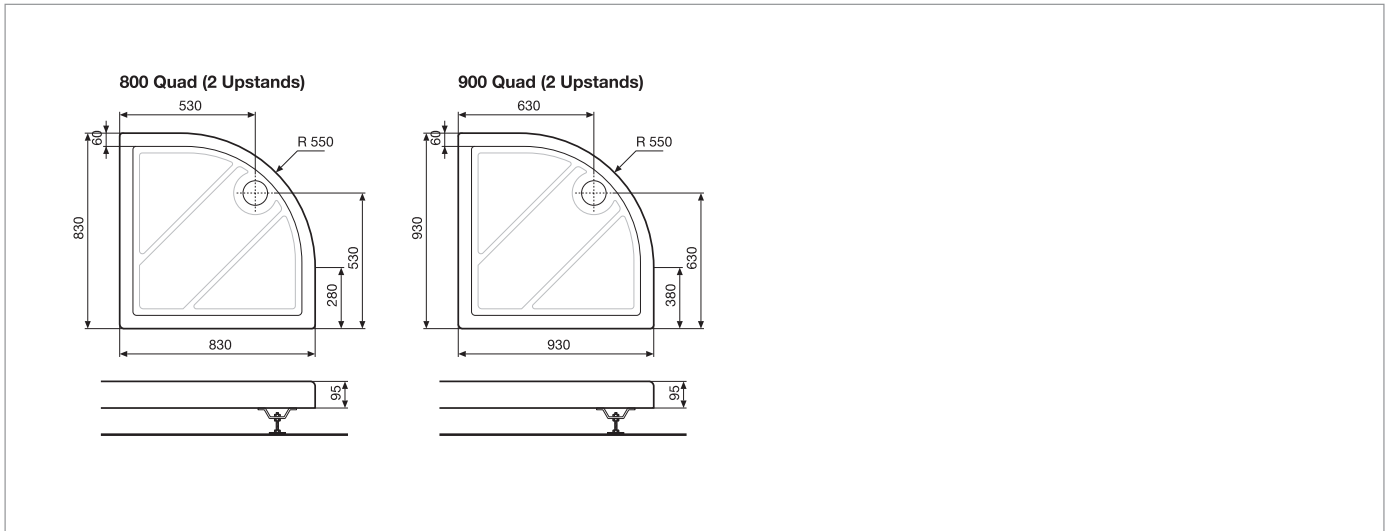
NEW-BUILD STONE TRAYS - SQUARE SHOWER TRAYS



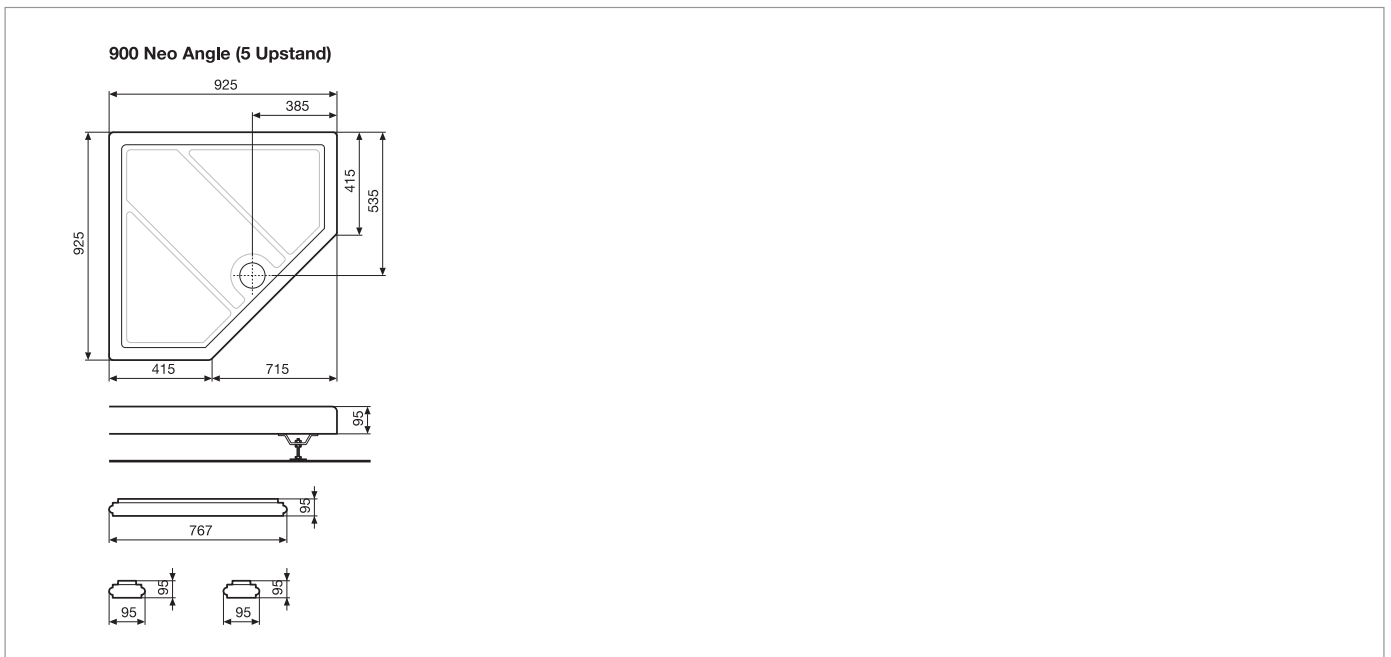
NEW-BUILD STONE TRAYS - RECTANGULAR SHOWER TRAYS

# Technical drawings

ref. **10** NEW-BUILD stone trays



NEW-BUILD STONE TRAYS - QUADRANT SHOWER TRAYS



NEW-BUILD STONE TRAYS - PENTAGON SHOWER TRAYS