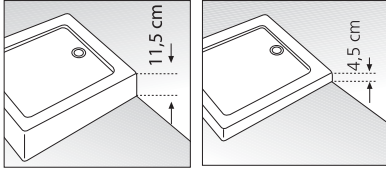


Shower trays

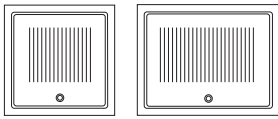
Shower Trays

Shower Trays

ref. 3 **Olympic Plus Square** - Square and rectangular shower tray



80x80 - 90x90 - 100x100 90x70 - 90x75 - 100x80



Waste column \varnothing 90

Code	PIL06ILI-K
Price	



Compulsory
Imperial to Metric flex
waste adaptor

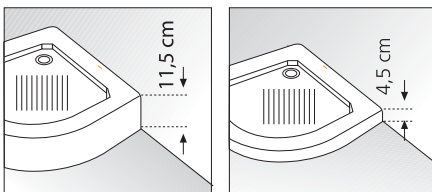
Code	RISCCAB
Price	

Waste column not included. Flow rate: 27 lt./min.

Technical drawings pag. 254

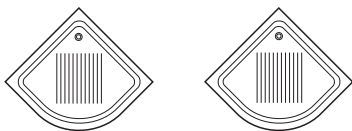


ref. 4 **Olympic Plus Quad** - Quadrant shower tray



80x80 - 90x90

100x100



Waste column \varnothing 90

Code	PIL06ILI-K
Price	



Compulsory
Imperial to Metric flex
waste adaptor

Code	RISCCAB
Price	

Waste column not included. Flow rate: 27 lt./min.

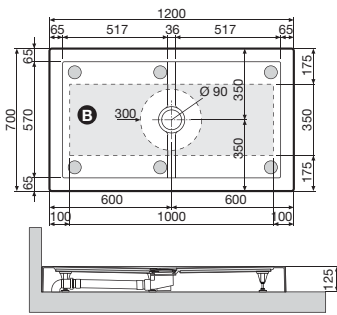
Technical drawings pag. 255.



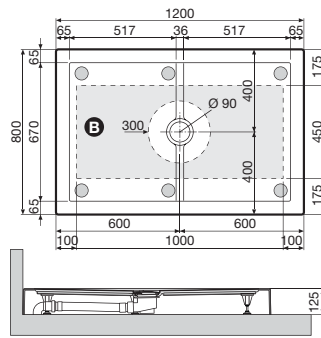
Measurements (cm) **	Code		Price
	HEIGHT 11,5 cm	HEIGHT 4,5 cm	weight
80 x 80	OLN8011-30 11.7 kg	■ OLN804-30 11.7 kg	
90 x 70	OLN907011-30 11.5 kg	■ OLN90704-30 11.5 kg	
90 x 75	OLN907511-30 12.34 kg	■ OLN90754-30 12.34 kg	
90 x 90	OLN9011-30 14.80 kg	■ OLN904-30 14.80 kg	
100 x 100	OLN10011-30 18.28 kg	■ OLN1004-30 18.28 kg	
100 x 80	OLN1008011-30 14.62 kg	■ OLN100804-30 14.62 kg	

	HEIGHT 11,5 cm	HEIGHT 4,5 cm	weight
80 x 80	VINR8011-30 14.5 kg	■ VINR804-30 14.5 kg	
90 x 90	VINR9011-30 16.2 kg	■ VINR904-30 16.2 kg	
100 x 100	VINR10011-30 18 kg	■ VINR1004-30 18 kg	

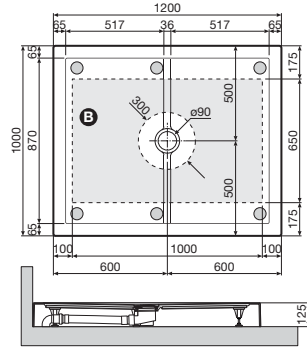
Olympic Plus 120x70 - h 12,5 cm



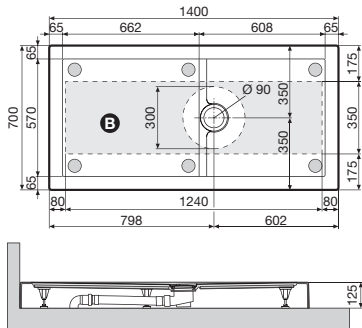
Olympic Plus 120x80 - h 12,5 cm



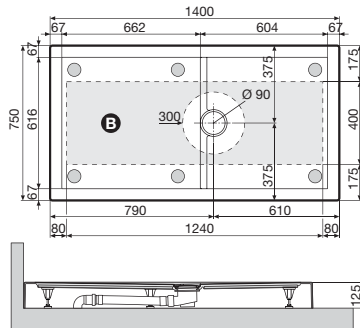
Olympic Plus 120x100 - h 12,5 cm



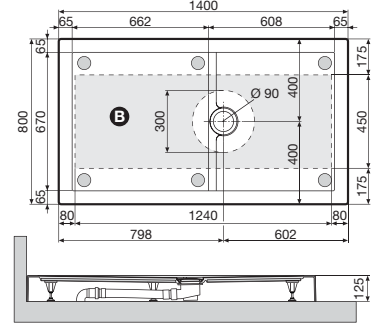
Olympic Plus 140x70 - h 12,5 cm



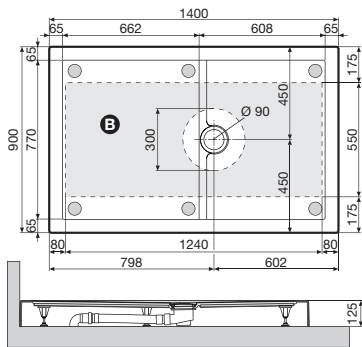
Olympic Plus 140x75 - h 12,5 cm



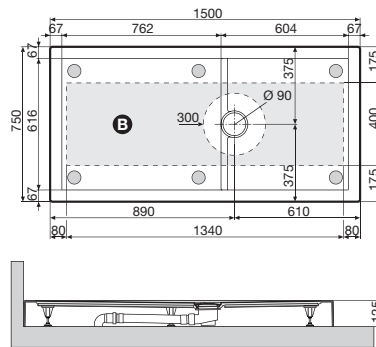
Olympic Plus 140x80 - h 12,5 cm



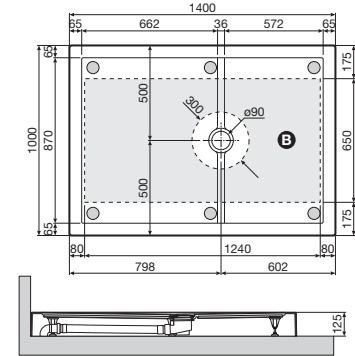
Olympic Plus 140x90 - h 12,5 cm



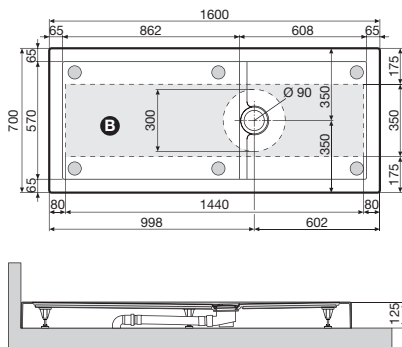
Olympic Plus 150x75 - h 12,5 cm



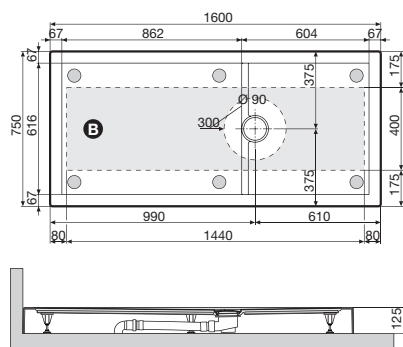
Olympic Plus 140x100 - h 12,5 cm



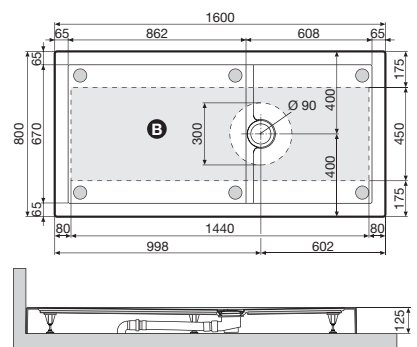
Olympic Plus 160x70 - h 12,5 cm



Olympic Plus 160x75 - h 12,5 cm



Olympic Plus 160x80 - h 12,5 cm



B Recommended space for floor-mounted drain

C Minimum space required in floor

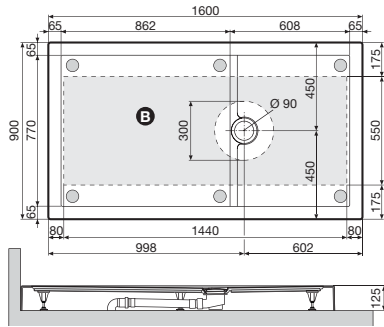


Technical drawings

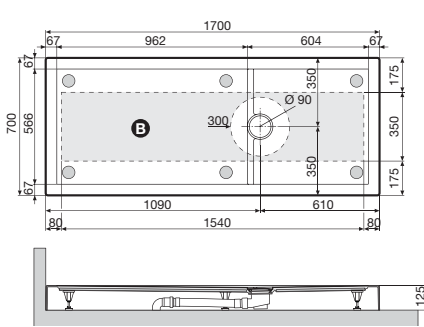
ref. **1** ref. **2** **Olympic Plus** - Rectangular shower tray with waste column

Height 12,5 cm

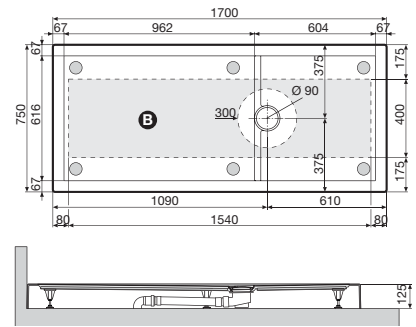
Olympic Plus 160x90 - h 12,5 cm



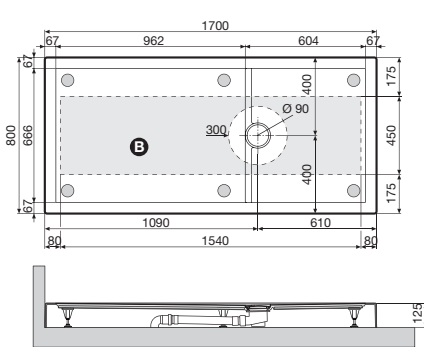
Olympic Plus 170x70 - h 12,5 cm



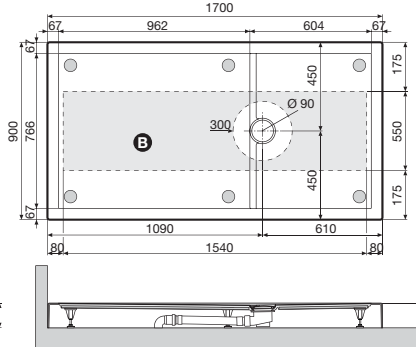
Olympic Plus 170x75 - h 12,5 cm



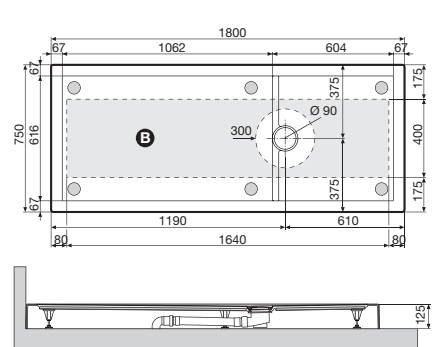
Olympic Plus 170x80 - h 12,5 cm



Olympic Plus 170x90 - h 12,5 cm



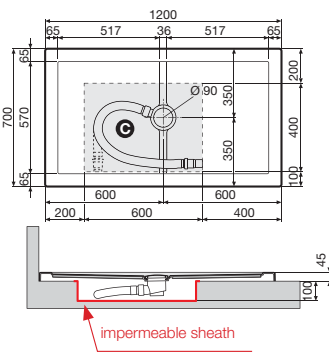
Olympic Plus 180x75 - h 12,5 cm



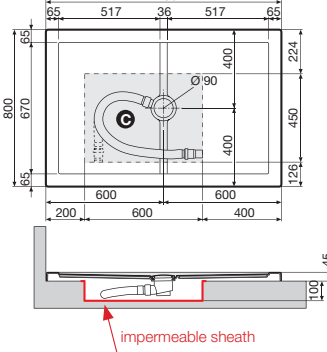
ref. **1** ref. **2** **Olympic Plus** - Rectangular shower tray with waste column

Height 4,5 cm

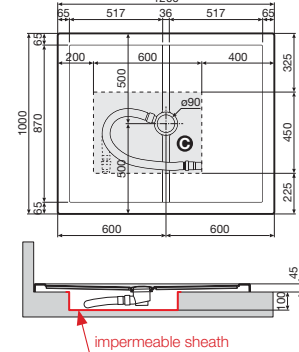
Olympic Plus 120x70 - h 4,5 cm



Olympic Plus 120x80 - h 4,5 cm



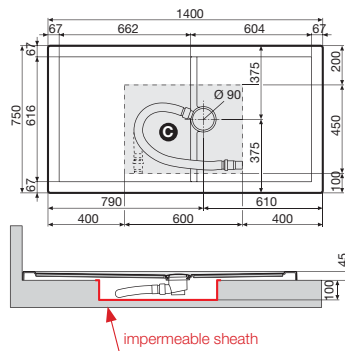
Olympic Plus 120x100 - h 4,5 cm



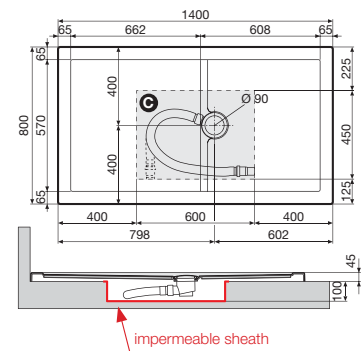
Olympic Plus 140x70 - h 4,5 cm



Olympic Plus 140x75 - h 4,5 cm



Olympic Plus 140x80 - h 4,5 cm



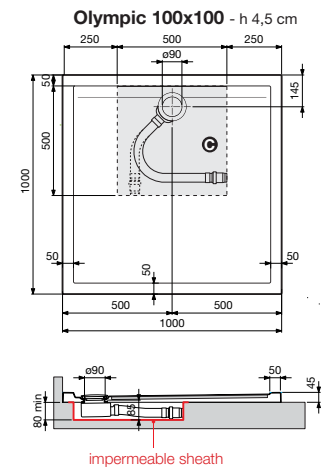
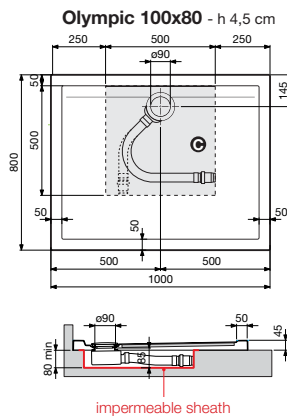
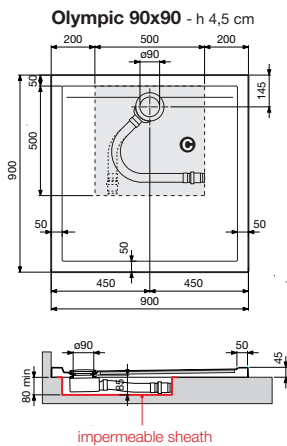
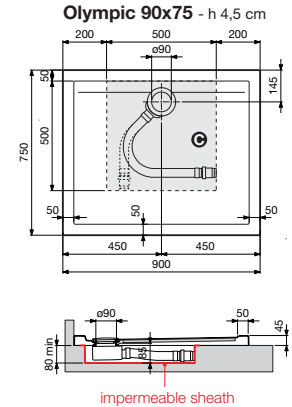
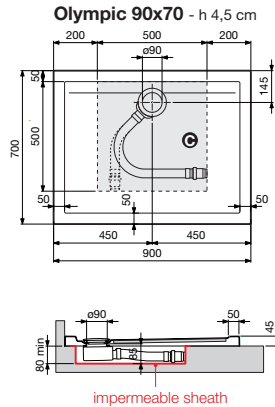
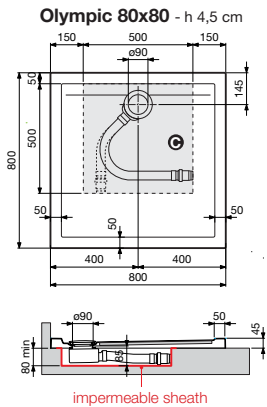
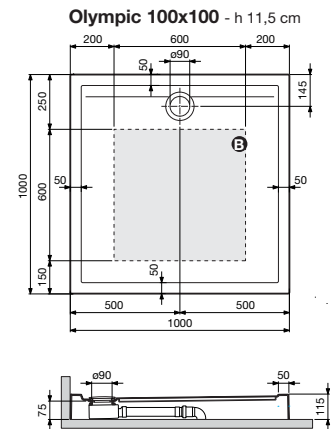
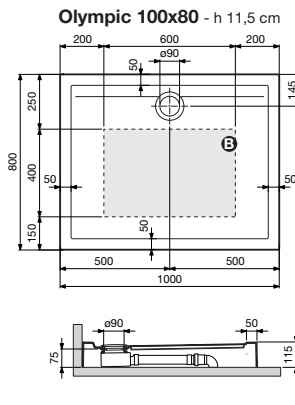
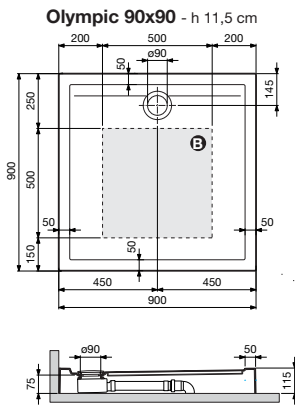
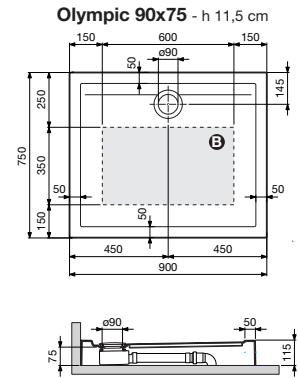
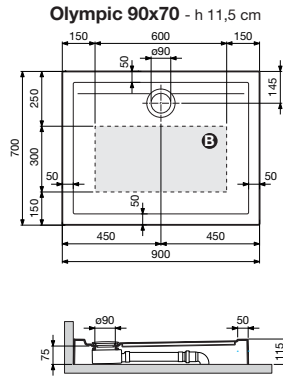
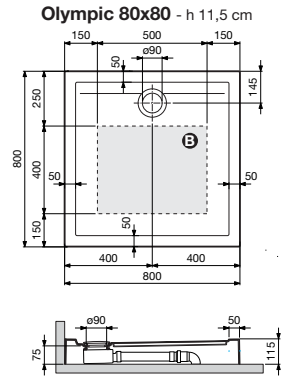
B Recommended space for floor-mounted drain

C Minimum space required in floor



Technical drawings

ref. **3** **Olympic Square** - Square and rectangular shower tray



B Recommended space for floor-mounted drain

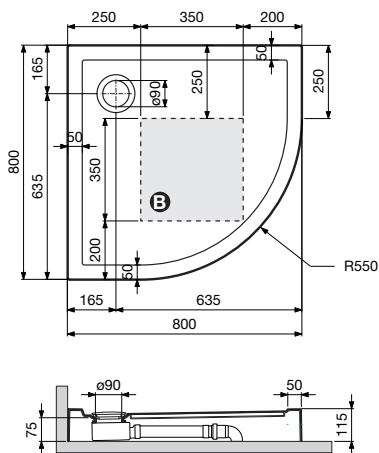
C Minimum space required in floor

35 Foot

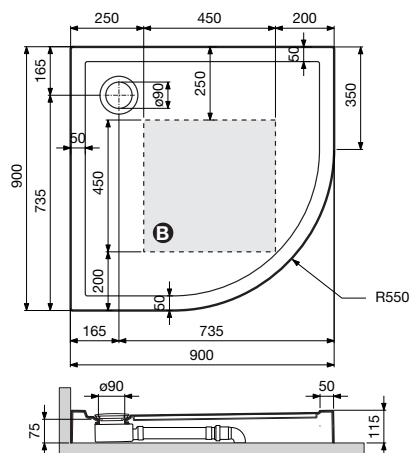
Technical drawings

ref. **4** Olympic Quad - Quadrant shower tray

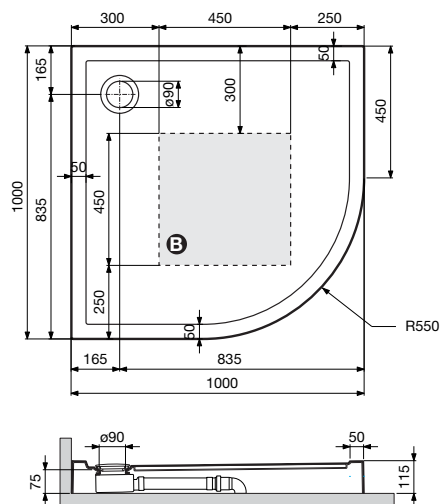
Olympic Quad R80 - h 11,5 cm



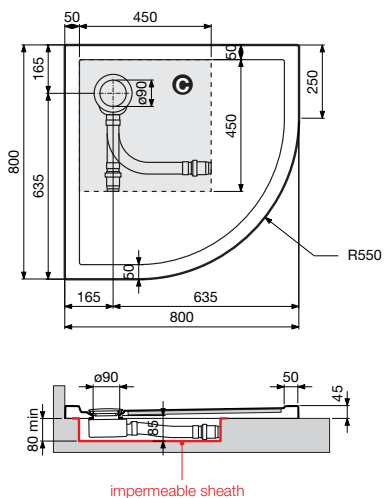
Olympic Quad R90 - h 11,5 cm



Olympic Quad R100 - h 11,5 cm

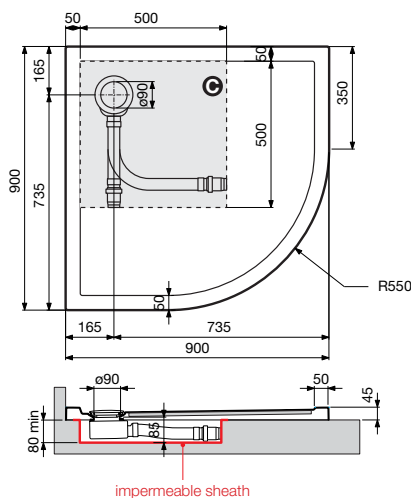


Olympic Quad R80 - h 4,5 cm



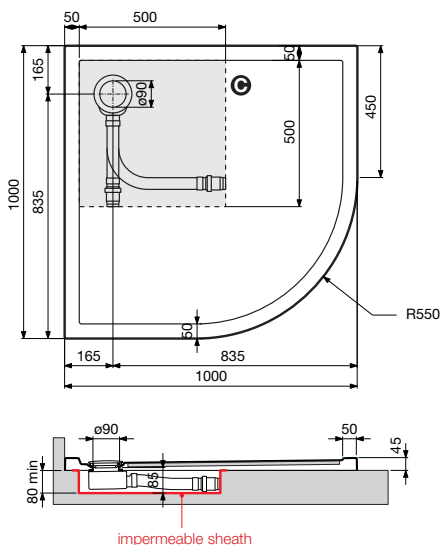
impermeable sheath

Olympic Quad R90 - h 4,5 cm



impermeable sheath

Olympic Quad R100 - h 4,5 cm



impermeable sheath

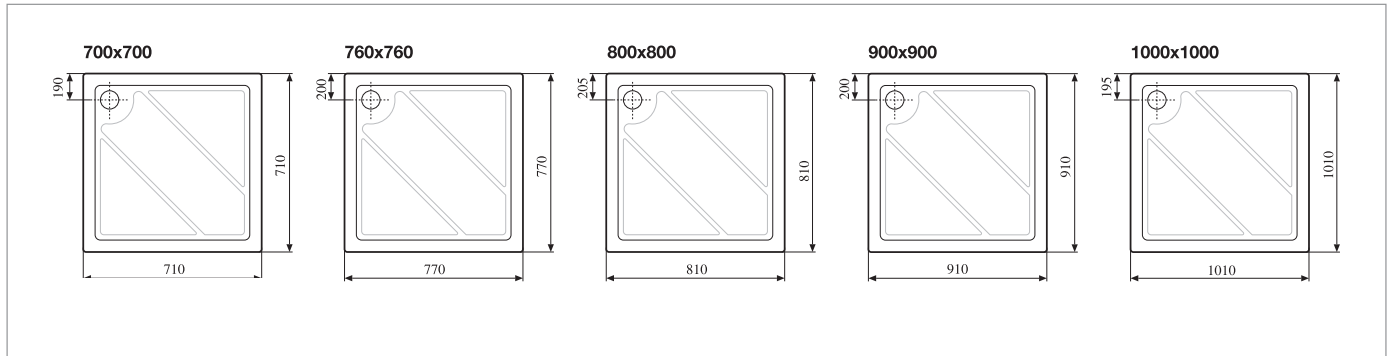
B Recommended space for floor-mounted drain

C Minimum space required in floor

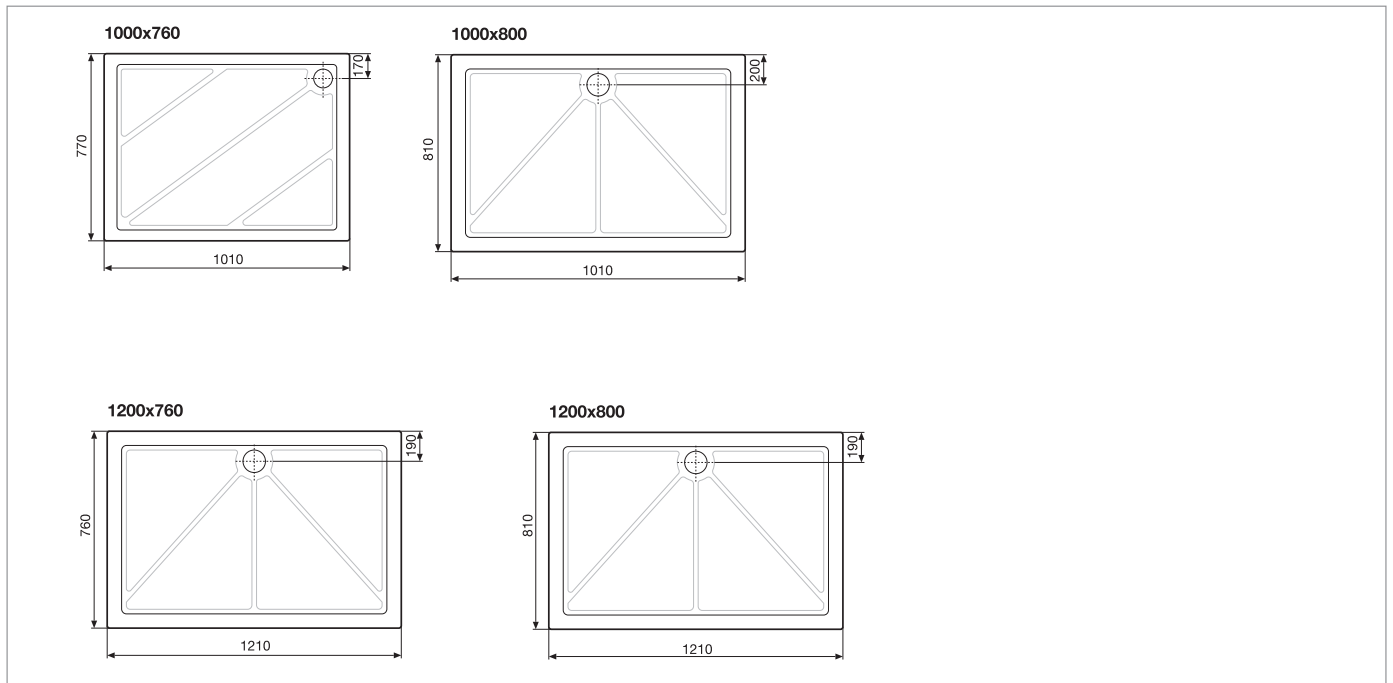


Technical drawings

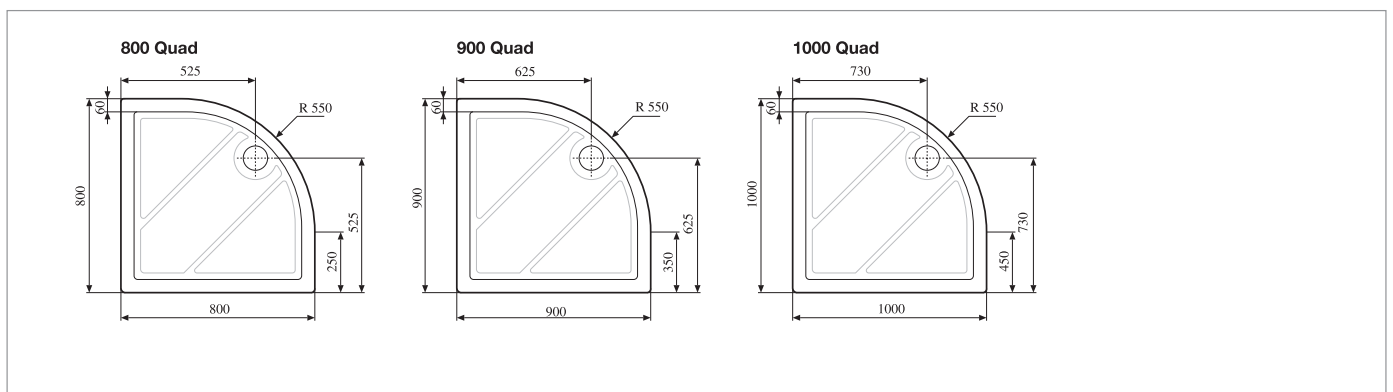
ref. **5** STANDARD Stone trays



STANDARD STONE TRAYS - SQUARE SHOWER TRAYS



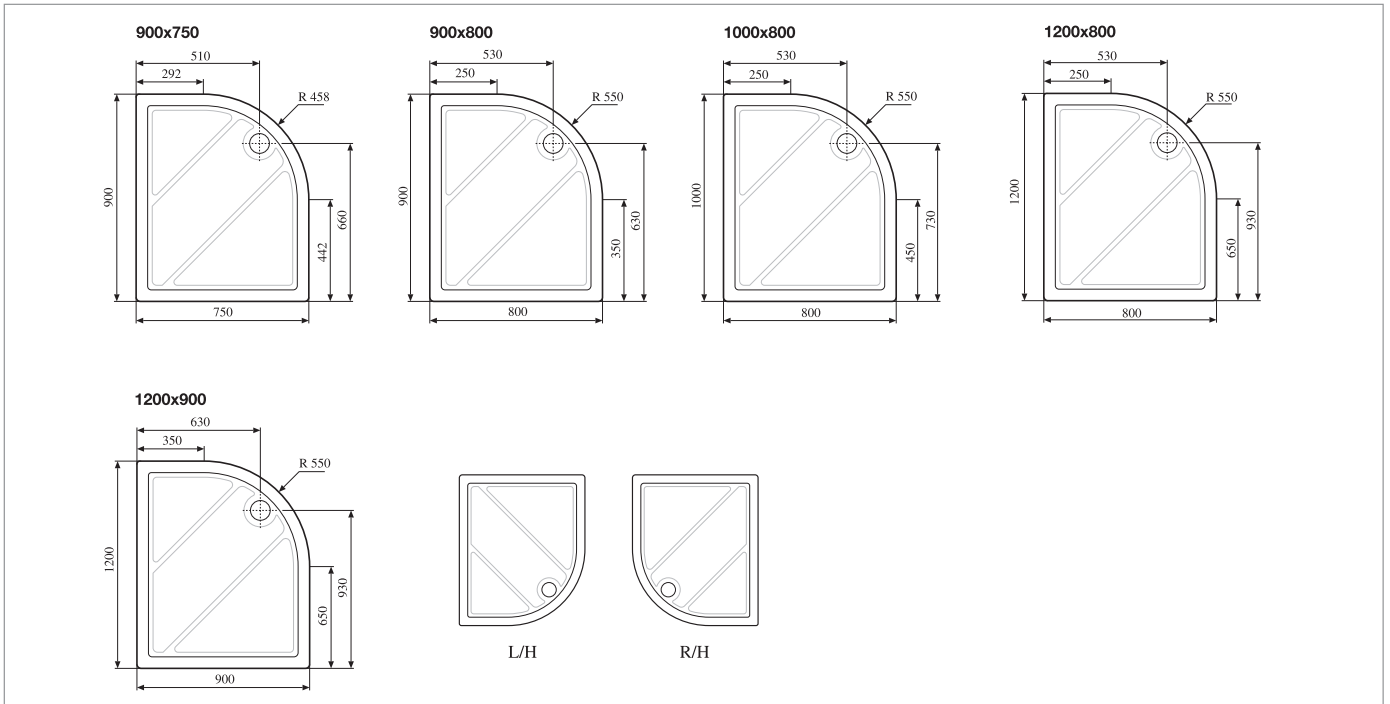
STANDARD STONE TRAYS - RECTANGULAR SHOWER TRAYS



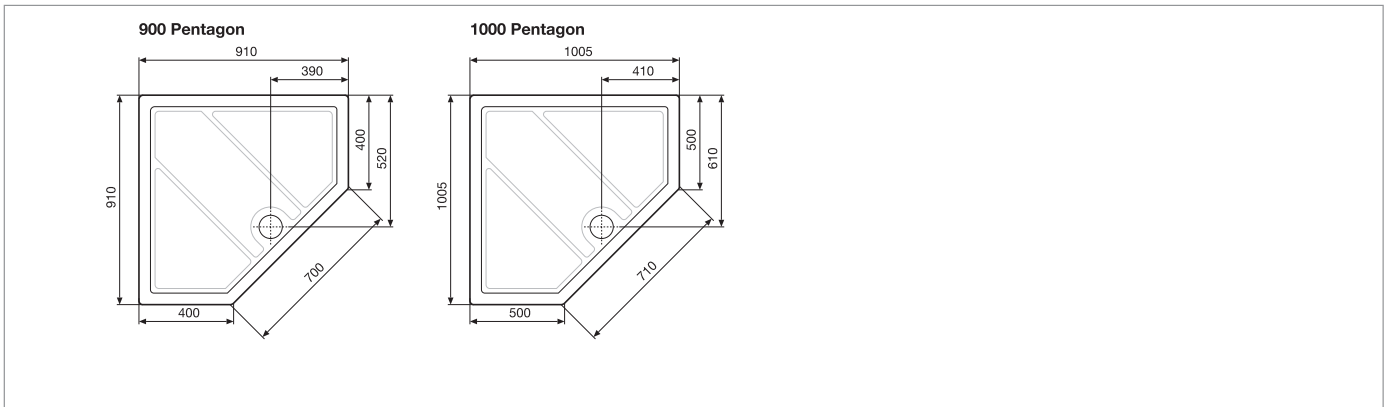
STANDARD STONE TRAYS - QUADRANT SHOWER TRAYS

Technical drawings

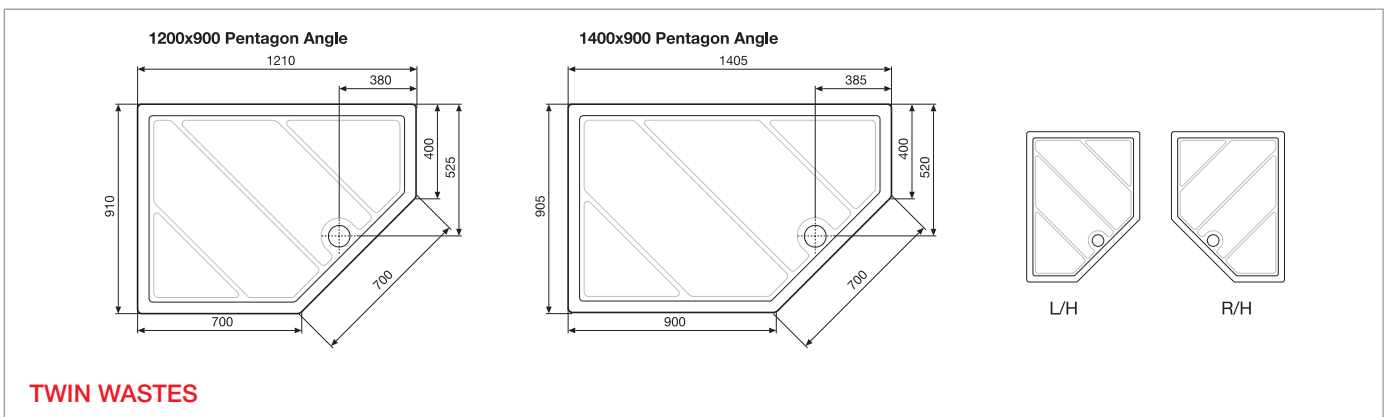
ref. **5** STANDARD Stone trays



STANDARD STONE TRAYS - OFFSET QUADRANT SHOWER TRAYS



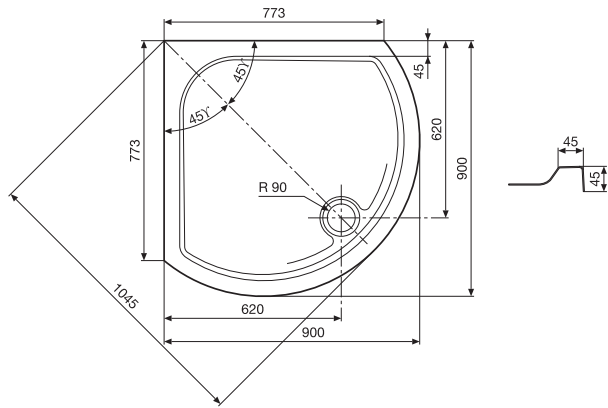
STANDARD STONE TRAYS - PENTAGON SHOWER TRAYS



TWIN WASTES

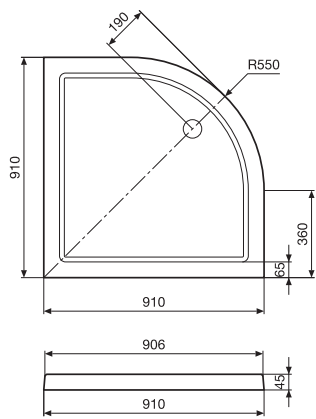
STANDARD STONE TRAYS - OFFSET PENTAGON SHOWER TRAYS

RS90 Bow Front Quad Resin Stone Shower Tray

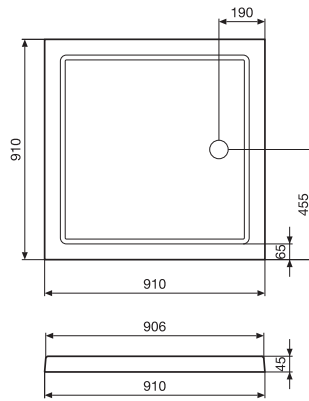


Suitable only for
VISION RS90 enclosure.

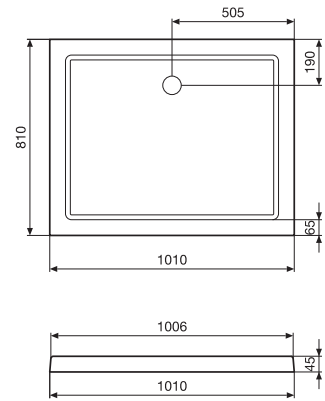
900 Quad



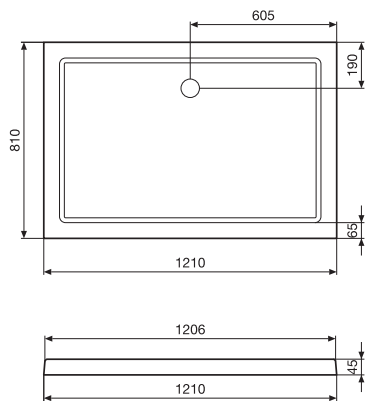
900x900



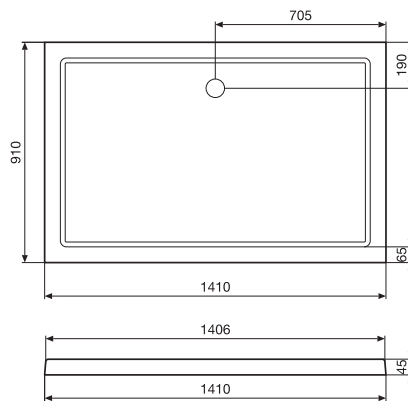
1000x800



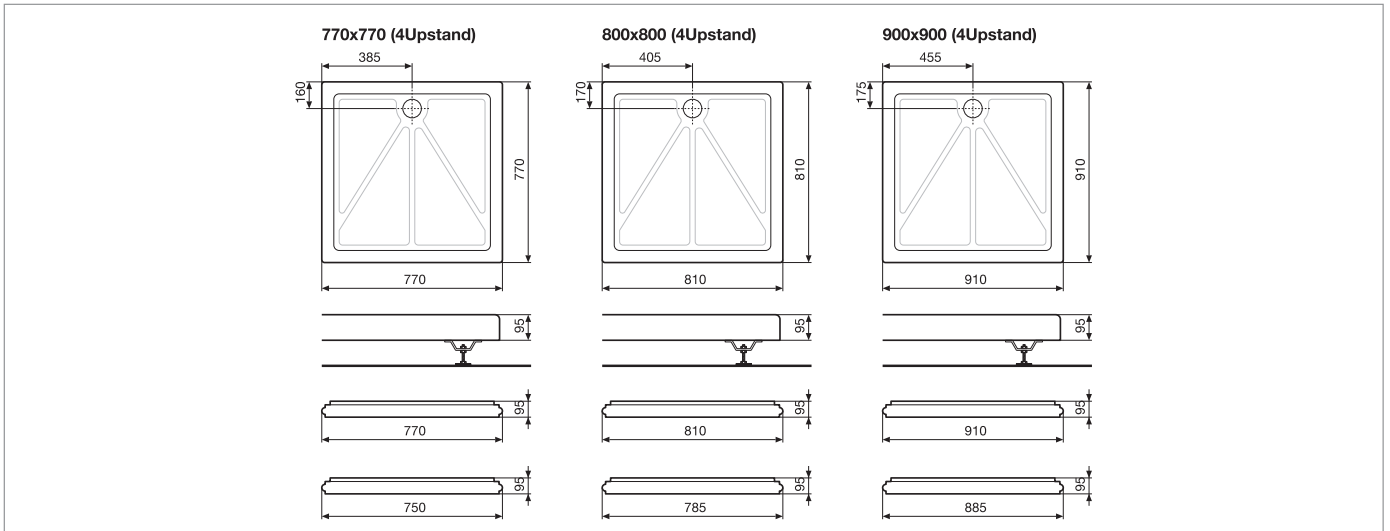
1200x800



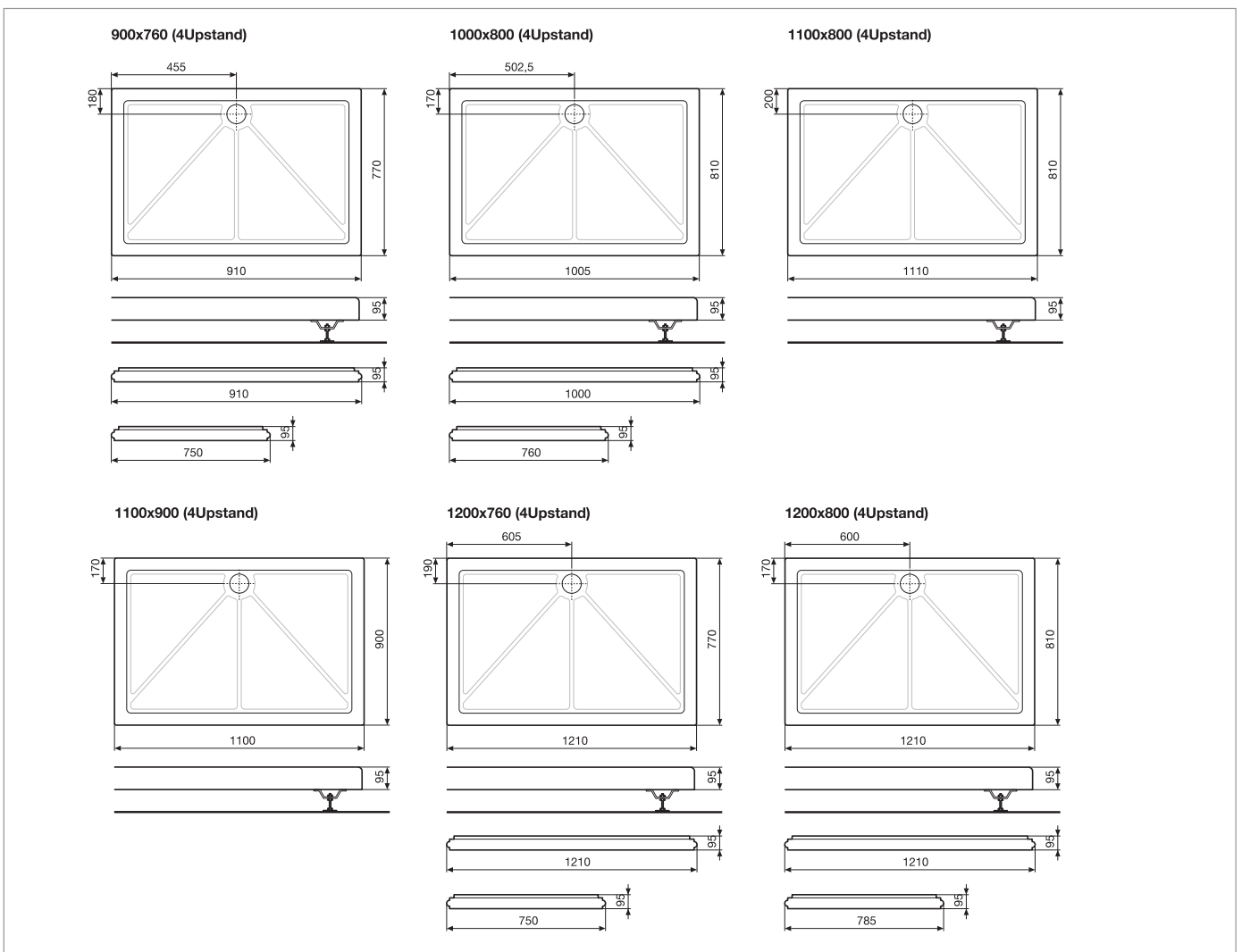
1400x900



LOW PROFILE ACRYLIC CAPPED SHOWER TRAYS



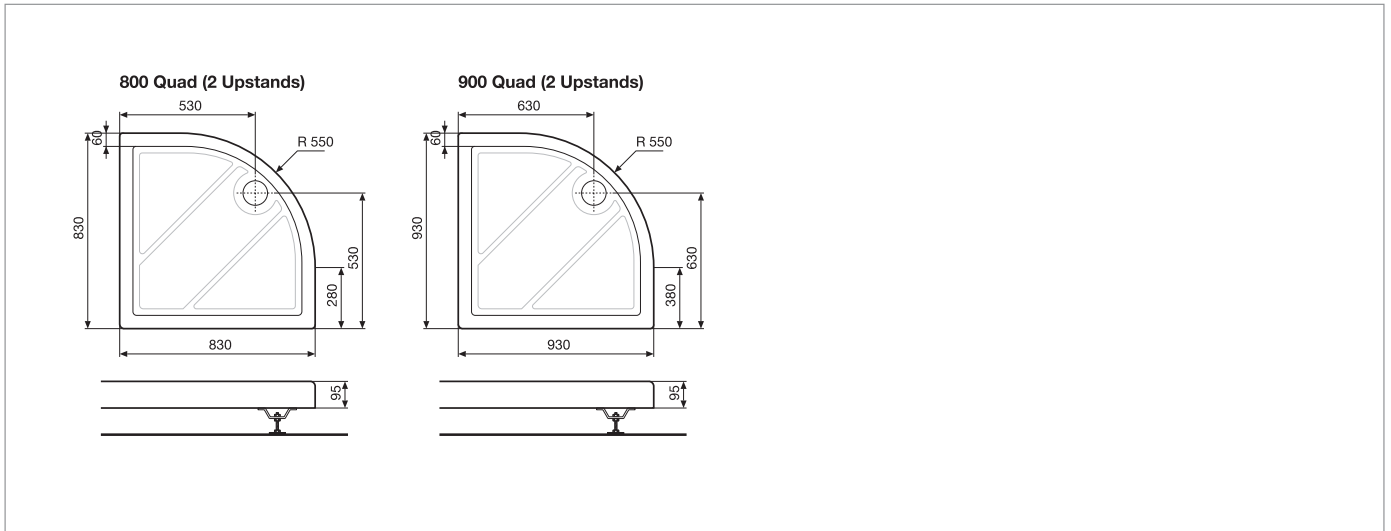
NEW-BUILD STONE TRAYS - SQUARE SHOWER TRAYS



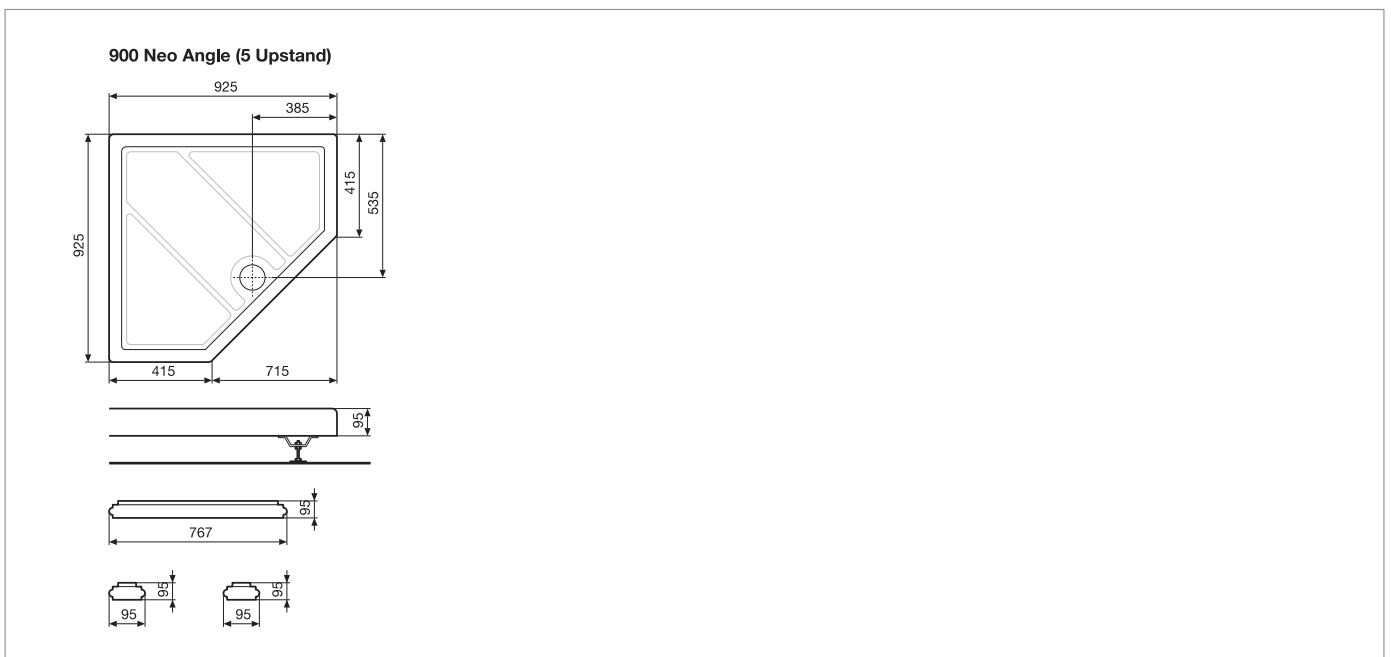
NEW-BUILD STONE TRAYS - RECTANGULAR SHOWER TRAYS

Technical drawings

ref. **10** NEW-BUILD stone trays



NEW-BUILD STONE TRAYS - **QUADRANT SHOWER TRAYS**



NEW-BUILD STONE TRAYS - **PENTAGON SHOWER TRAYS**