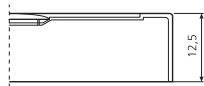
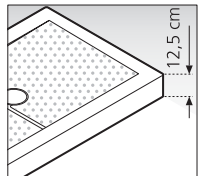


Shower trays

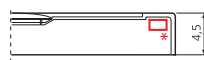
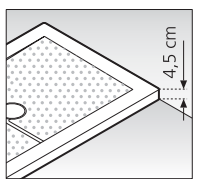
Shower Trays

Shower Trays

ref. 1 **Olympic Plus** - Rectangular shower tray with waste column



Height h 12,5 cm



Height h 4,5 cm

STANDARD SUPPLY:

Waste column ø 90



8 cm



Compulsory
Imperial to Metric flex
waste adaptor

Code	RISCCAB
Price	

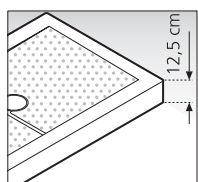
* Reinforced with aluminium frame, 5x2 cm.

Waste trap included in the price. FLOW RATE 30 LT/MIN.

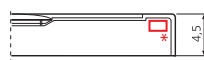
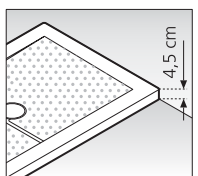
Technical drawings pag. 251-253.



ref. 2 **Olympic Plus** - Rectangular shower tray with waste column



Height h 12,5 cm



Height h 4,5 cm

STANDARD SUPPLY:

Waste column ø 90



8 cm



Compulsory
Imperial to Metric flex
waste adaptor

Code	RISCCAB
Price	

* Reinforced with aluminium frame, 5x2 cm.

Waste trap included in the price. FLOW RATE 30 LT/MIN.

Technical drawings pag. 251-253.



Black

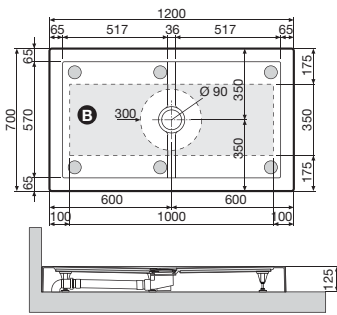
Grey

Measurements (cm) **	Code	Price
----------------------	------	-------

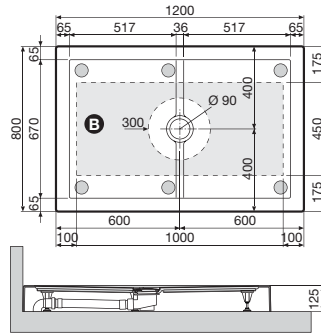
	HEIGHT 12,5 cm		HEIGHT 4,5 cm		
	white	weight	white	weight	
120 x 70	OL1207011-30	15.8 kg	■ OL120704-30	15.14 kg	
120 x 80	OL8012011-30	18.05 kg	■ OL801204-30	17.03 kg	
120 x 100	OL1201011-30	22.57 kg	■ OL120104-30	22.56 kg	
140 x 70	OL1407011-30	18.05 kg	■ OL140704-30	18.05 kg	
140 x 75	OL1407511-30	19.35 kg	■ OL140754-30	19.35 kg	
140 x 80	OL1408011-30	20.65 kg	■ OL140804-30	19.8 kg	
140 x 90	OL1409011-30	23.2 kg	■ OL140904-30	22.25 kg	
140 x 100	OL1401011-30	25.77 kg	■ OL140104-30	25.77 kg	
150 x 75	OL1507511-30	20.85 kg	■ OL150754-30	20.41 kg	
160 x 70	OL1607011-30	20.70 kg	■ OL160704-30	20.7 kg	
160 x 75	OL1607511-30	22.35 kg	■ OL160754-30	22.35 kg	
160 x 80	OL1608011-30	23.85 kg	■ OL160804-30	23.85 kg	
160 x 90	OL1609011-30	26.8 kg	■ OL160904-30	26.7 kg	
170 x 70	OL1707011-30	21.95 kg	■ OL170704-30	22.2 kg	
170 x 75	OL1707511-30	23.52 kg	■ OL170754-30	23.52 kg	
170 x 80	OL1708011-30	25.08 kg	■ OL170804-30	25.08 kg	
170 x 90	OL1709011-30	28.22 kg	■ OL170904-30	28.22 kg	
180 x 75	OL1807511-30	24.68 kg	■ OL180754-30	24.6 kg	

	HEIGHT 12,5 cm		HEIGHT 4,5 cm				
	black	grey	black	grey		weight	
120 x 70	OL1207011-28	OL1207011-29	15.8 kg	■ OL120704-28	OL120704-29	15.14 kg	
120 x 80	OL8012011-28	OL8012011-29	18.05 kg	■ OL801204-28	OL801204-29	17.03 kg	
120 x 100	OL1201011-28	OL1201011-29	22.57 kg	■ OL120104-28	OL120104-29	22.56 kg	
140 x 70	OL1407011-28	OL1407011-29	18.05 kg	■ OL140704-28	OL140704-29	18.05 kg	
140 x 75	OL1407511-28	OL1407511-29	19.35 kg	■ OL140754-28	■ OL140754-29	19.35 kg	
140 x 80	OL1408011-28	OL1408011-29	20.65 kg	■ OL140804-28	■ OL140804-29	19.8 kg	
140 x 90	OL1409011-28	OL1409011-29	23.2 kg	■ OL140904-28	OL140904-29	22.25 kg	
140 x 100	OL1401011-28	OL1401011-29	25.77 kg	■ OL140104-28	OL140104-29	25.77 kg	
150 x 75	OL1507511-28	OL1507511-29	20.85 kg	■ OL150754-28	OL150754-29	20.41 kg	
160 x 70	OL1607011-28	OL1607011-29	20.70 kg	■ OL160704-28	OL160704-29	20.7 kg	
160 x 75	OL1607511-28	OL1607511-29	22.35 kg	■ OL160754-28	OL160754-29	22.35 kg	
160 x 80	OL1608011-28	OL1608011-29	23.85 kg	■ OL160804-28	OL160804-29	23.85 kg	
160 x 90	OL1609011-28	OL1609011-29	26.8 kg	■ OL160904-28	OL160904-29	26.7 kg	
170 x 70	OL1707011-28	OL1707011-29	21.95 kg	■ OL170704-28	■ OL170704-29	22.2 kg	
170 x 75	OL1707511-28	OL1707511-29	23.52 kg	■ OL170754-28	■ OL170754-29	23.52 kg	
170 x 80	OL1708011-28	OL1708011-29	25.08 kg	■ OL170804-28	■ OL170804-29	25.08 kg	
170 x 90	OL1709011-28	OL1709011-29	28.22 kg	■ OL170904-28	■ OL170904-29	28.22 kg	
180 x 75	OL1807511-28	OL1807511-29	24.68 kg	■ OL180754-28	OL180754-29	24.6 kg	

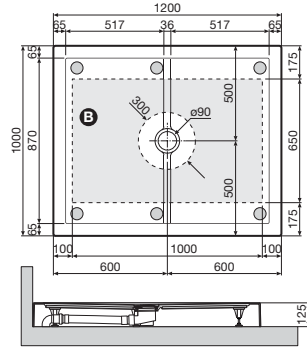
Olympic Plus 120x70 - h 12,5 cm



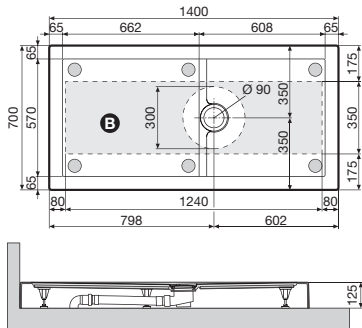
Olympic Plus 120x80 - h 12,5 cm



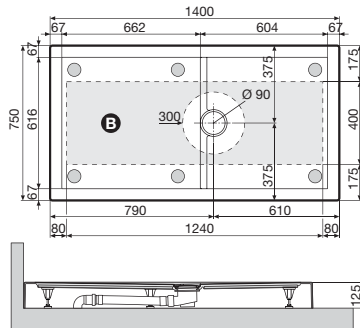
Olympic Plus 120x100 - h 12,5 cm



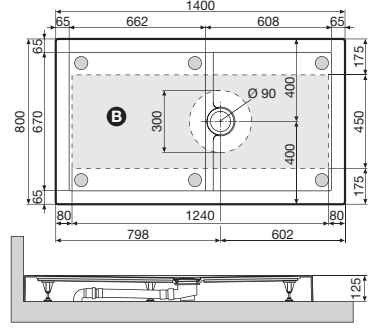
Olympic Plus 140x70 - h 12,5 cm



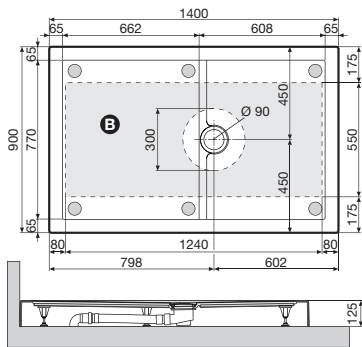
Olympic Plus 140x75 - h 12,5 cm



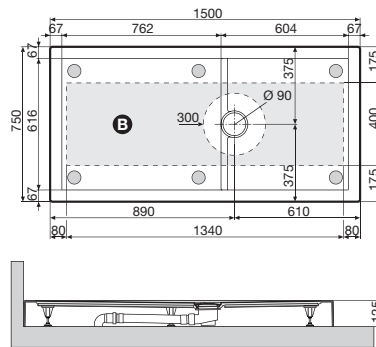
Olympic Plus 140x80 - h 12,5 cm



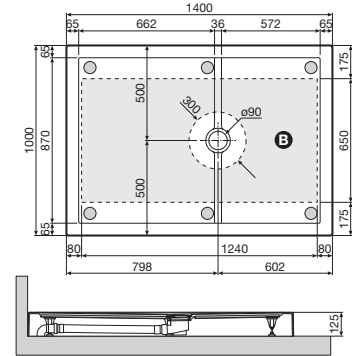
Olympic Plus 140x90 - h 12,5 cm



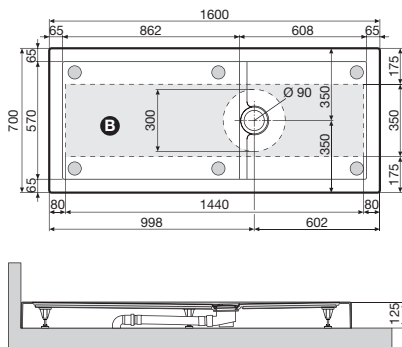
Olympic Plus 150x75 - h 12,5 cm



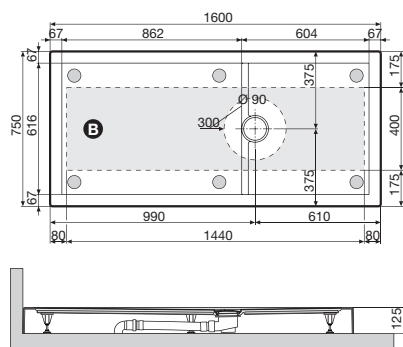
Olympic Plus 140x100 - h 12,5 cm



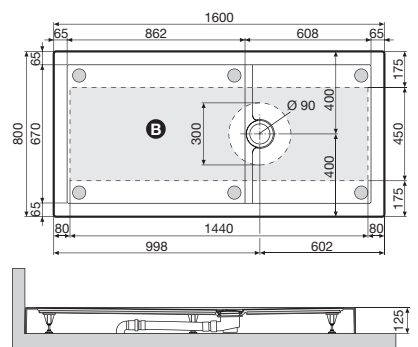
Olympic Plus 160x70 - h 12,5 cm



Olympic Plus 160x75 - h 12,5 cm



Olympic Plus 160x80 - h 12,5 cm



B Recommended space for floor-mounted drain

C Minimum space required in floor

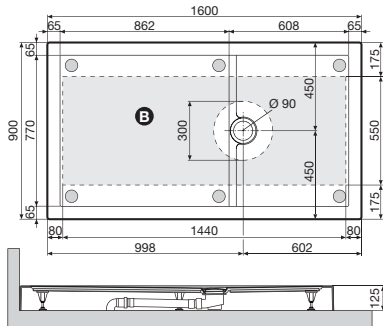


Technical drawings

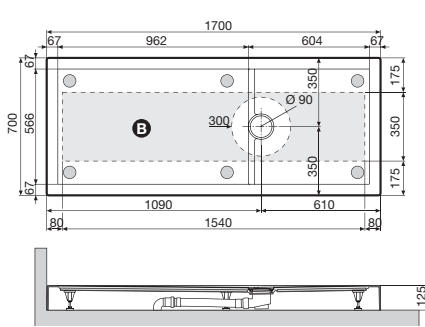
ref. **1** ref. **2** **Olympic Plus** - Rectangular shower tray with waste column

Height 12,5 cm

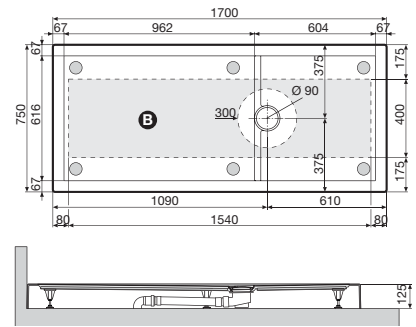
Olympic Plus 160x90 - h 12,5 cm



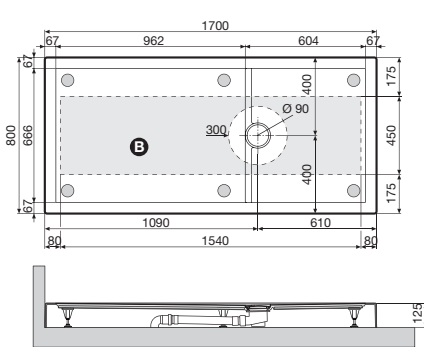
Olympic Plus 170x70 - h 12,5 cm



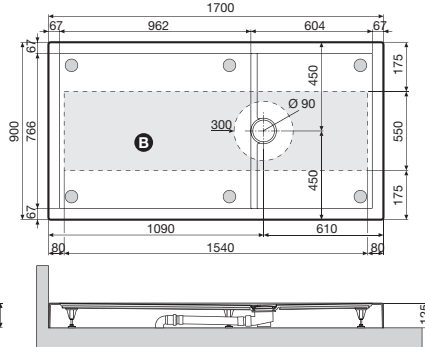
Olympic Plus 170x75 - h 12,5 cm



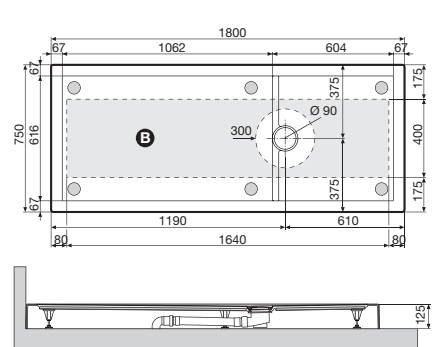
Olympic Plus 170x80 - h 12,5 cm



Olympic Plus 170x90 - h 12,5 cm



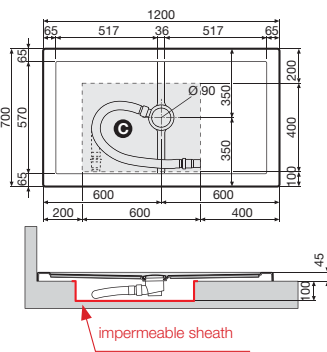
Olympic Plus 180x75 - h 12,5 cm



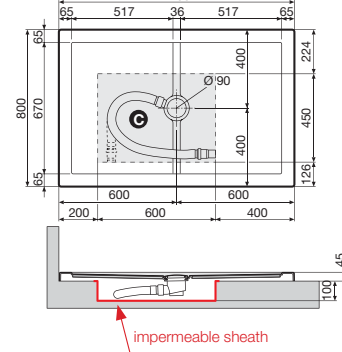
ref. **1** ref. **2** **Olympic Plus** - Rectangular shower tray with waste column

Height 4,5 cm

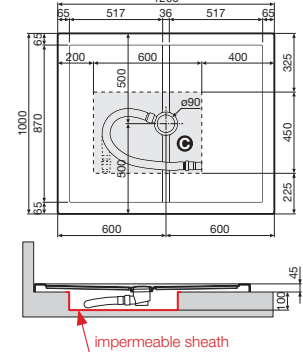
Olympic Plus 120x70 - h 4,5 cm



Olympic Plus 120x80 - h 4,5 cm



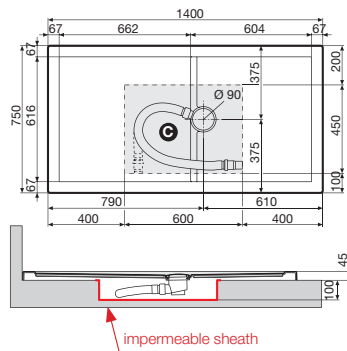
Olympic Plus 120x100 - h 4,5 cm



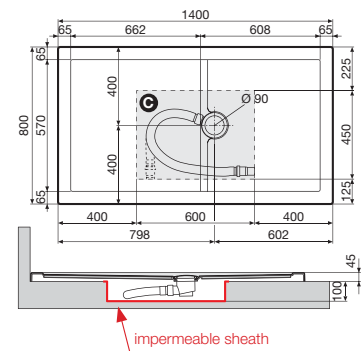
Olympic Plus 140x70 - h 4,5 cm



Olympic Plus 140x75 - h 4,5 cm



Olympic Plus 140x80 - h 4,5 cm



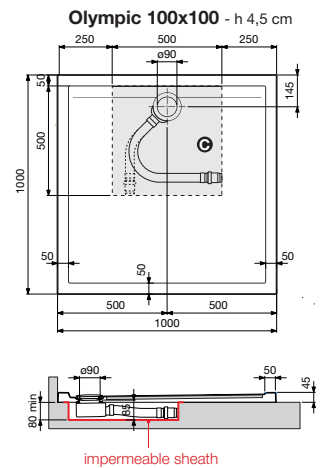
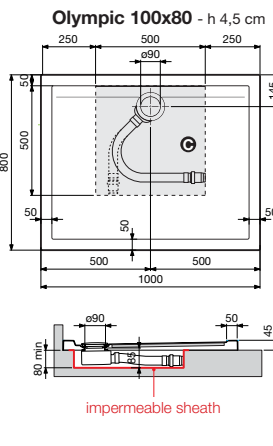
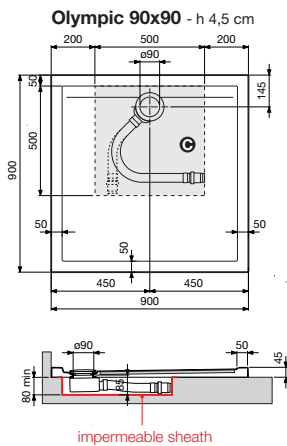
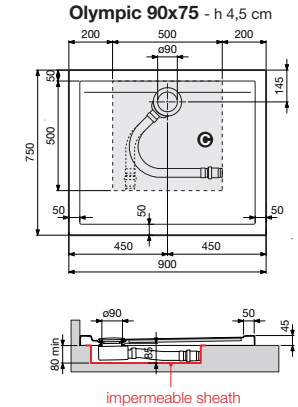
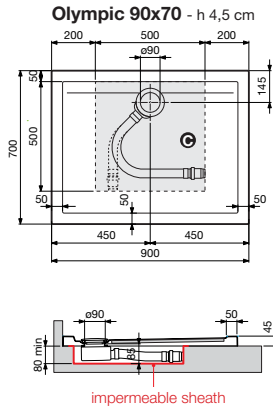
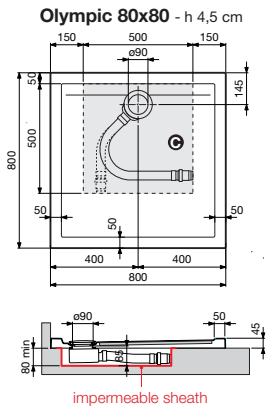
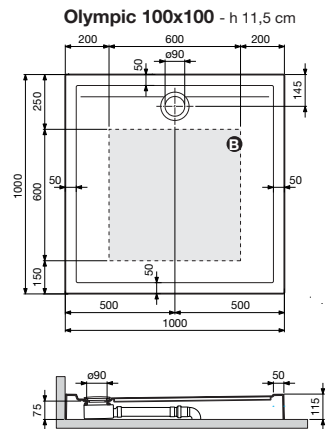
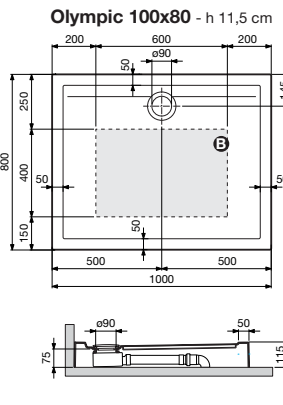
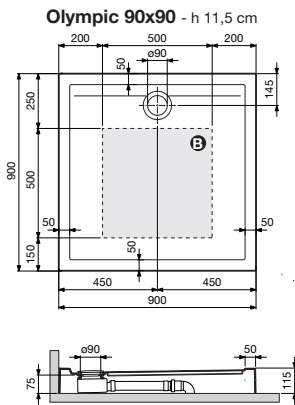
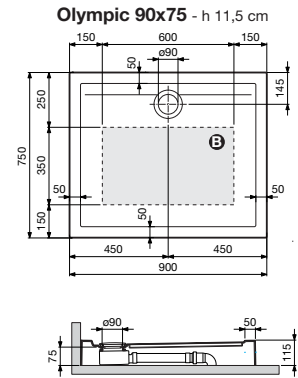
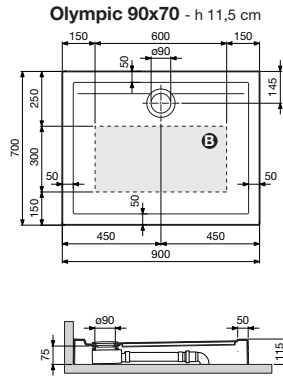
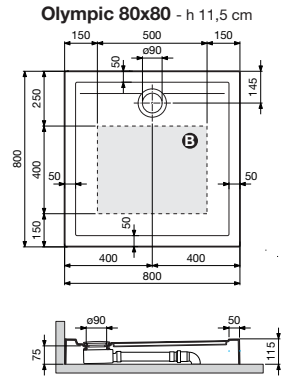
B Recommended space for floor-mounted drain

C Minimum space required in floor



Technical drawings

ref. **3** Olympic Square - Square and rectangular shower tray



B Recommended space for floor-mounted drain

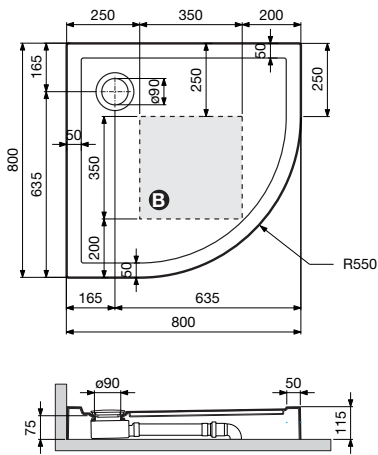
C Minimum space required in floor



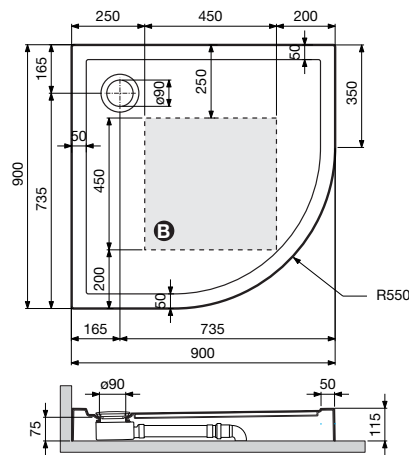
Technical drawings

ref. **4** Olympic Quad - Quadrant shower tray

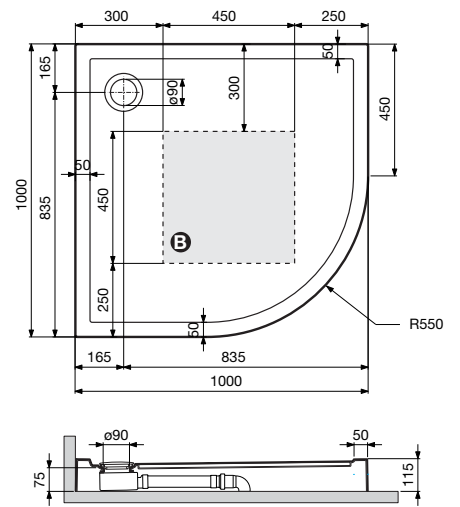
Olympic Quad R80 - h 11,5 cm



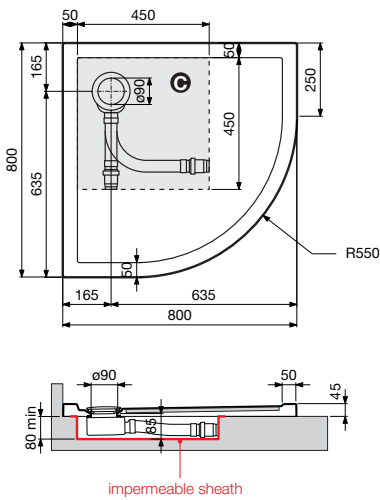
Olympic Quad R90 - h 11,5 cm



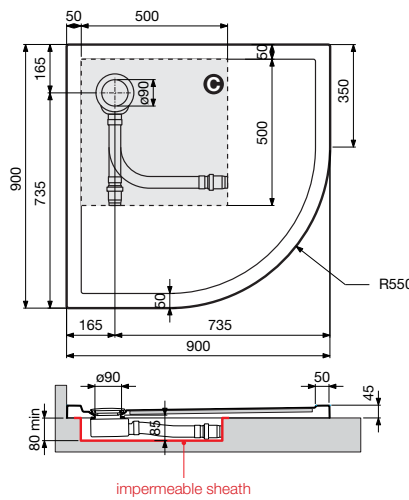
Olympic Quad R100 - h 11,5 cm



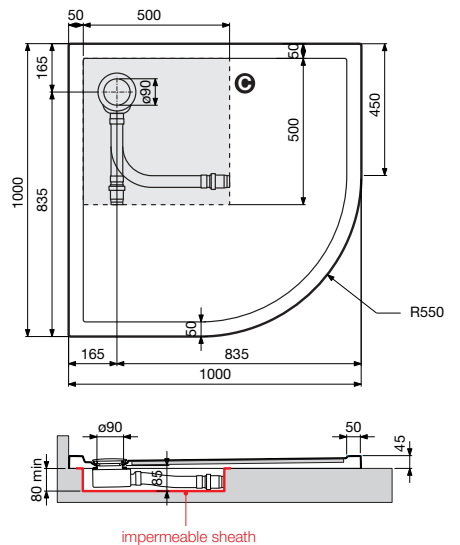
Olympic Quad R80 - h 4,5 cm



Olympic Quad R90 - h 4,5 cm



Olympic Quad R100 - h 4,5 cm



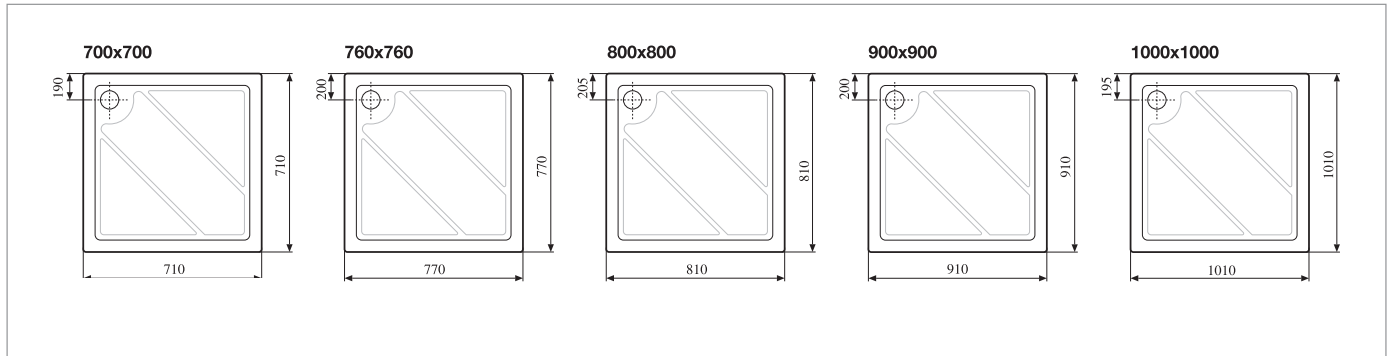
B Recommended space for floor-mounted drain

C Minimum space required in floor

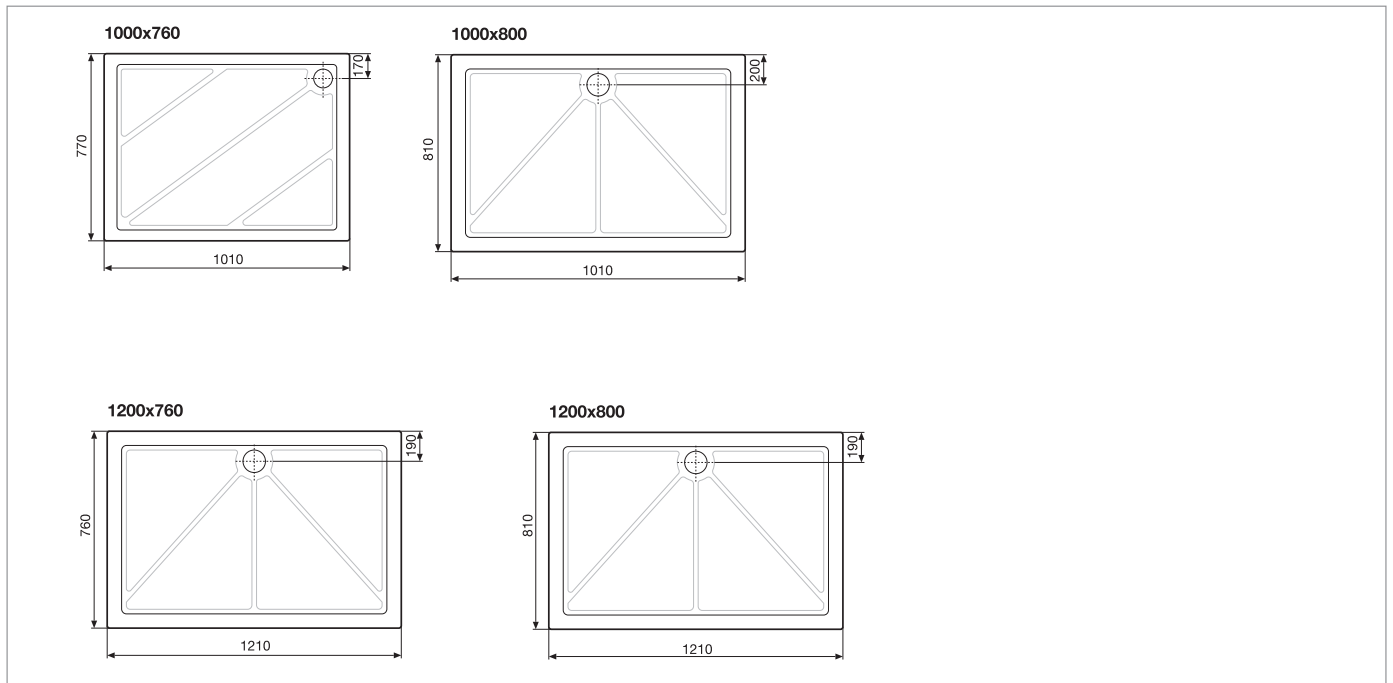


Technical drawings

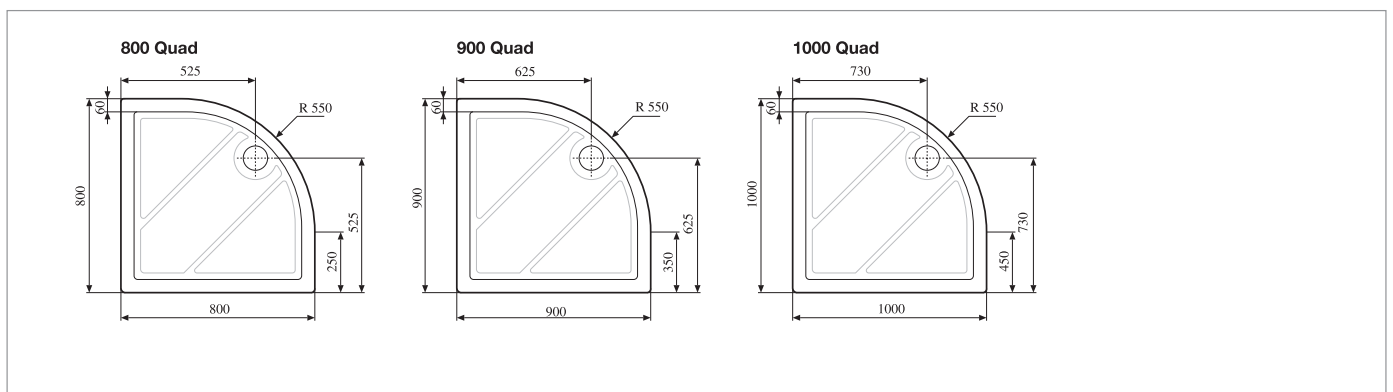
ref. **5** STANDARD Stone trays



STANDARD STONE TRAYS - SQUARE SHOWER TRAYS



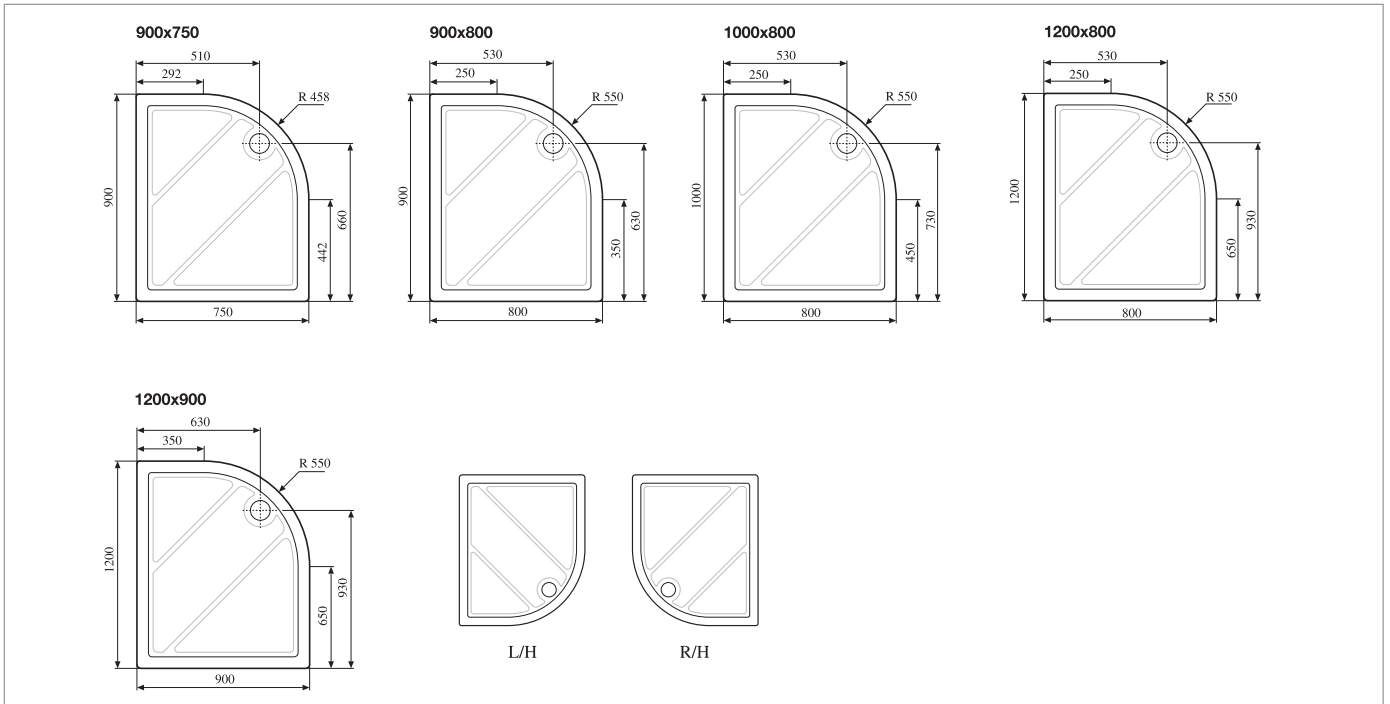
STANDARD STONE TRAYS - RECTANGULAR SHOWER TRAYS



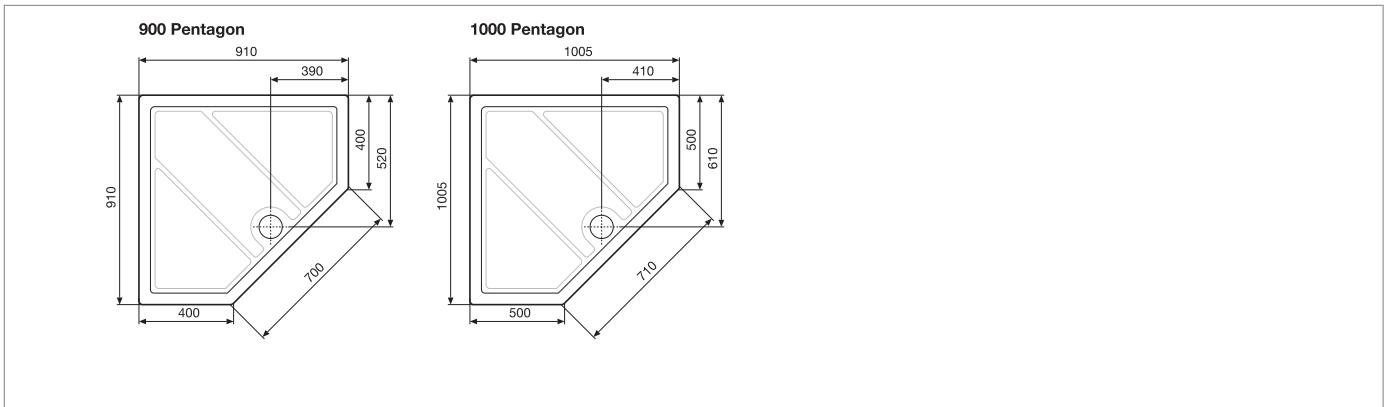
STANDARD STONE TRAYS - QUADRANT SHOWER TRAYS

Technical drawings

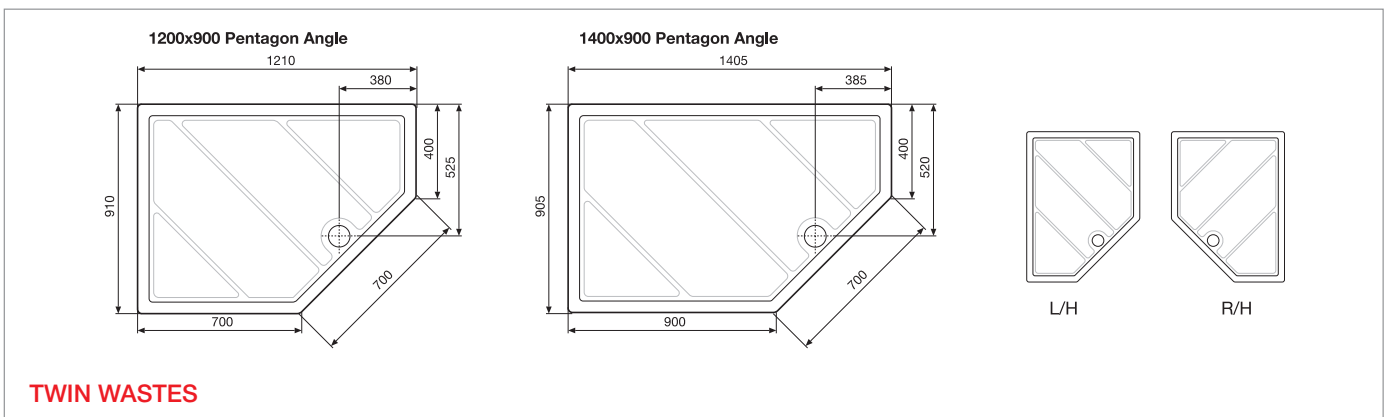
ref. **5** STANDARD Stone trays



STANDARD STONE TRAYS - OFFSET QUADRANT SHOWER TRAYS



STANDARD STONE TRAYS - PENTAGON SHOWER TRAYS



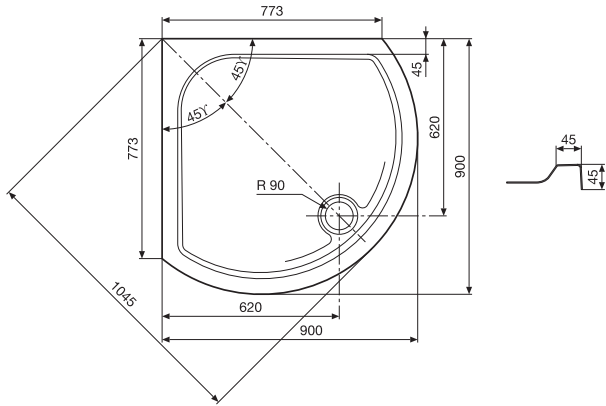
TWIN WASTES

STANDARD STONE TRAYS - OFFSET PENTAGON SHOWER TRAYS

Technical drawings

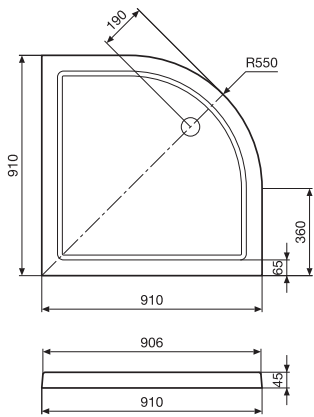
ref. **6** LOW PROFILE Acrylic capped

RS90 Bow Front Quad Resin Stone Shower Tray

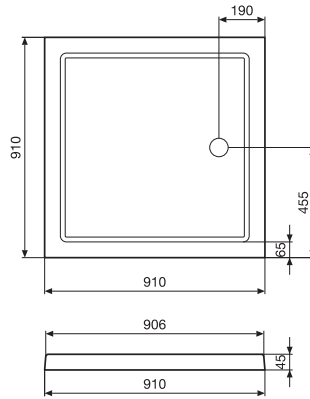


Suitable only for
VISION RS90 enclosure.

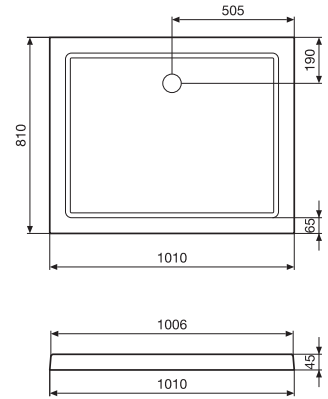
900 Quad



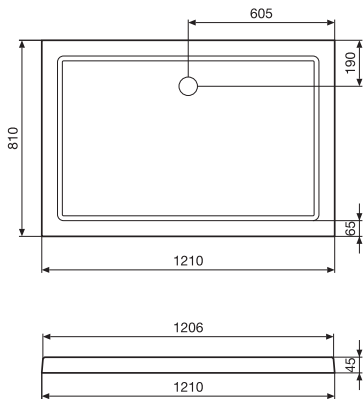
900x900



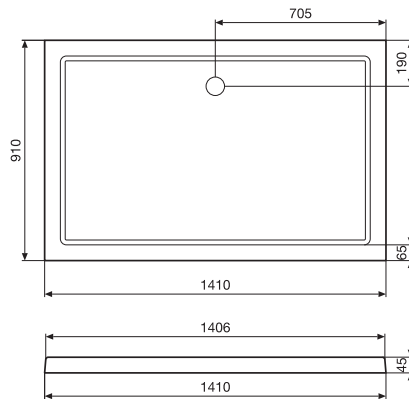
1000x800



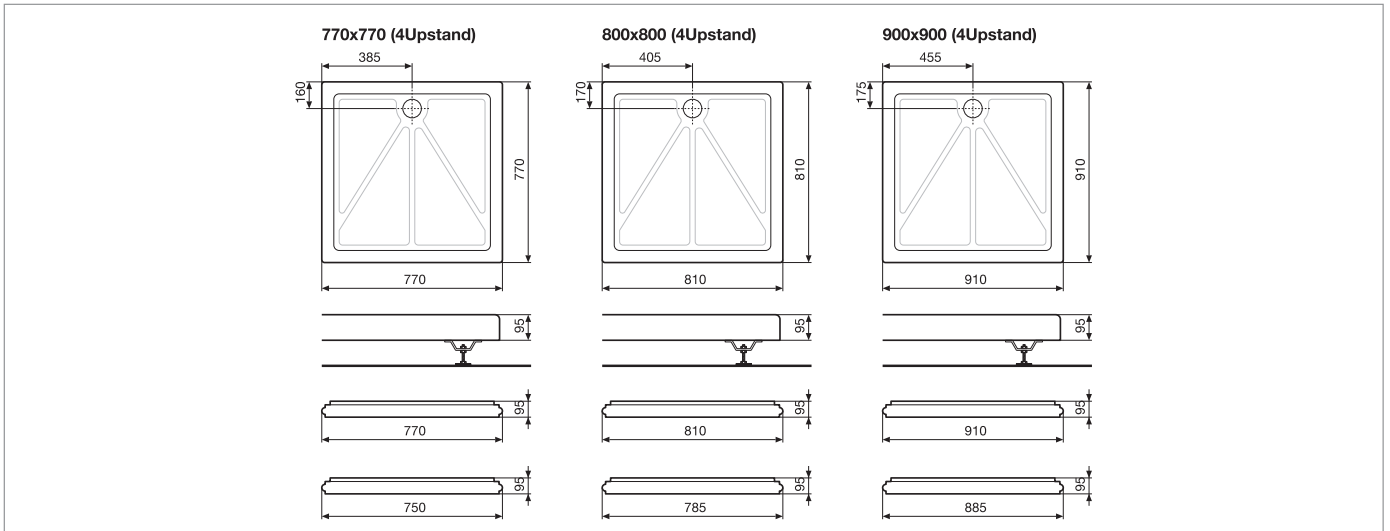
1200x800



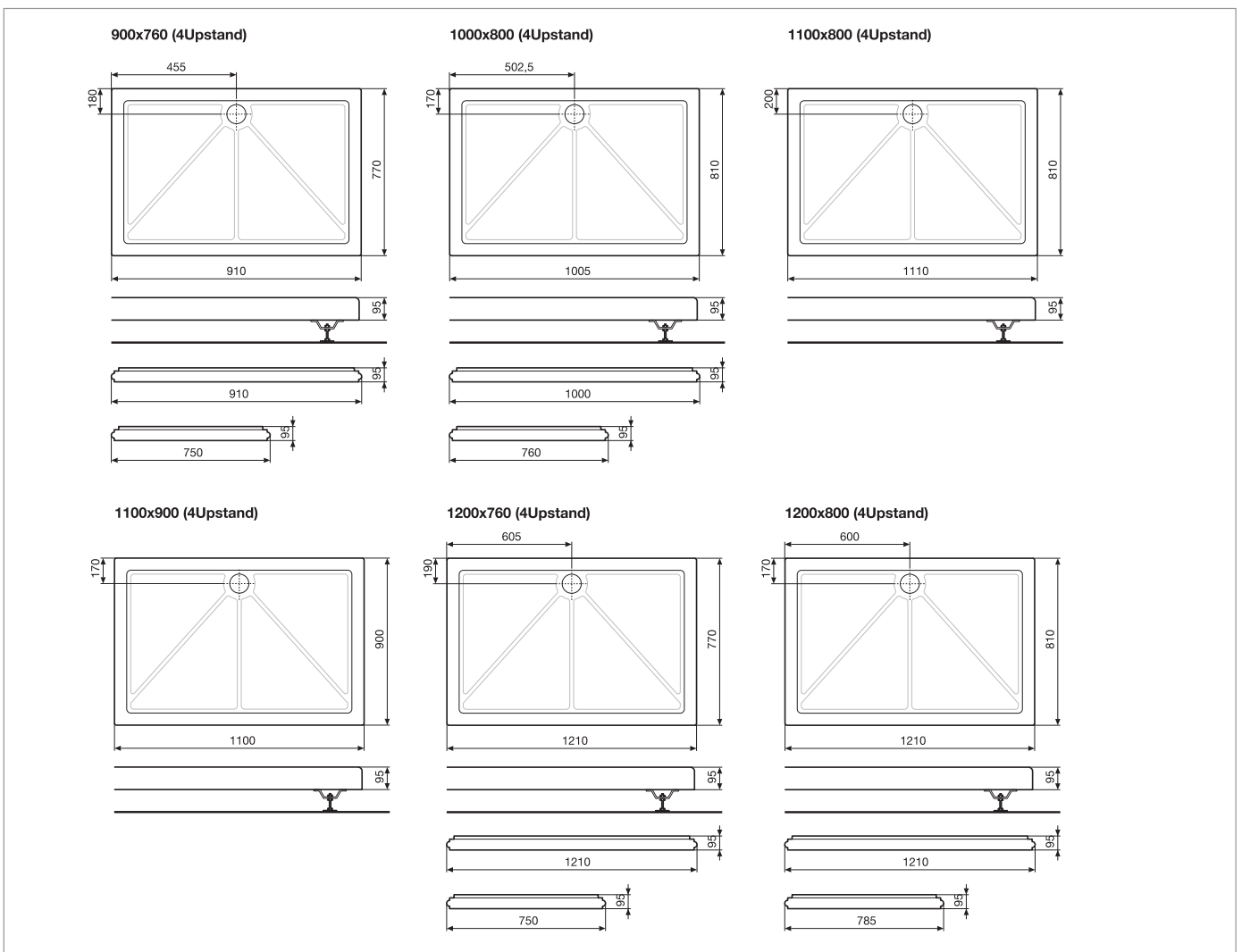
1400x900



LOW PROFILE ACRYLIC CAPPED SHOWER TRAYS



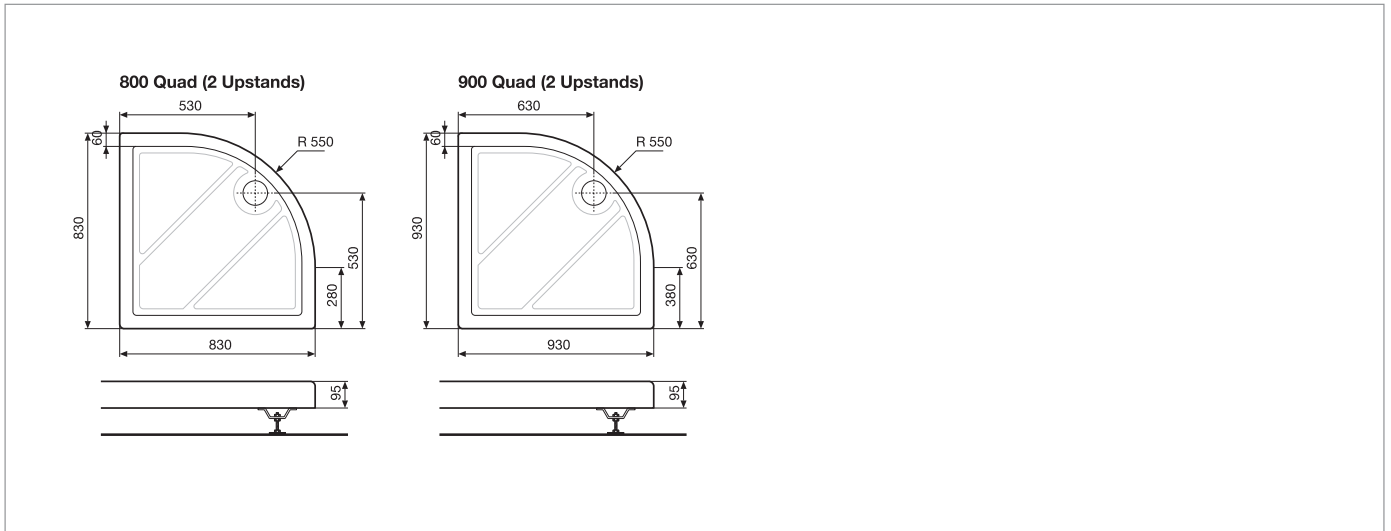
NEW-BUILD STONE TRAYS - SQUARE SHOWER TRAYS



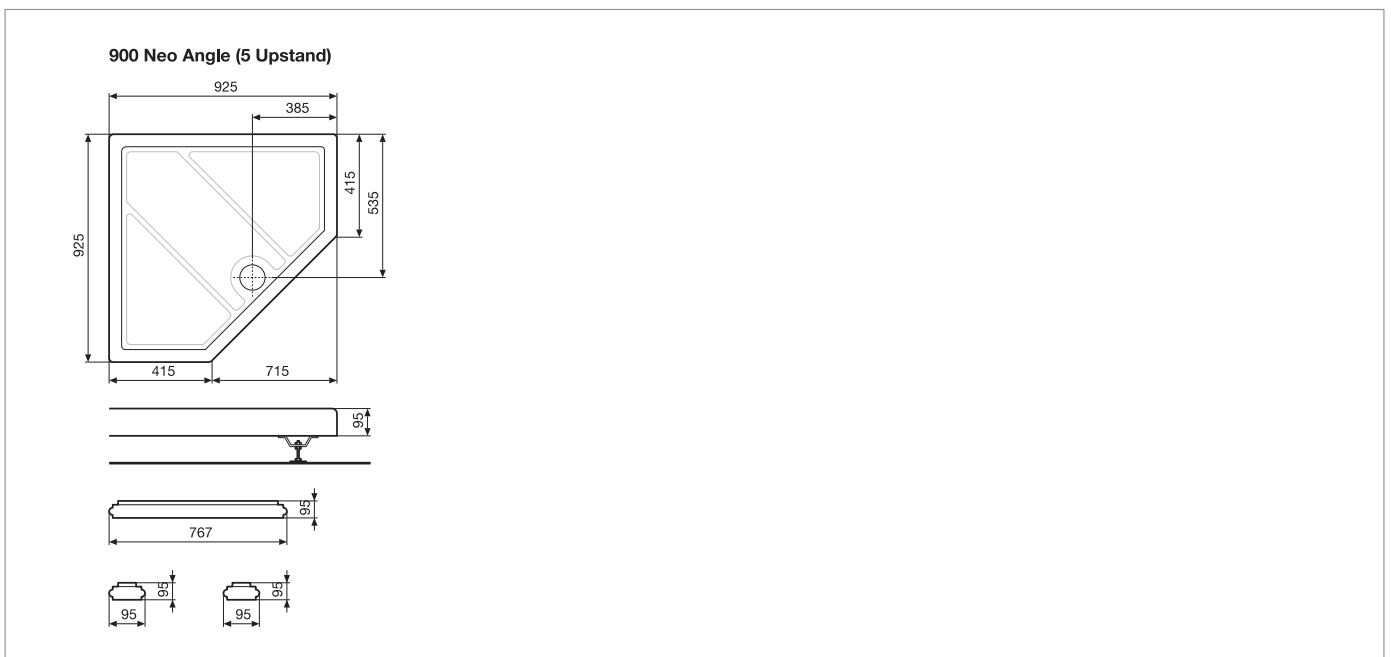
NEW-BUILD STONE TRAYS - RECTANGULAR SHOWER TRAYS

Technical drawings

ref. **10** NEW-BUILD stone trays



NEW-BUILD STONE TRAYS - **QUADRANT SHOWER TRAYS**



NEW-BUILD STONE TRAYS - **PENTAGON SHOWER TRAYS**