





Cristalli

# Lightspace

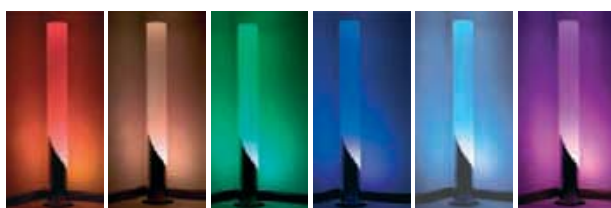
Chromo light freestanding lamp with aroma-therapy dispenser



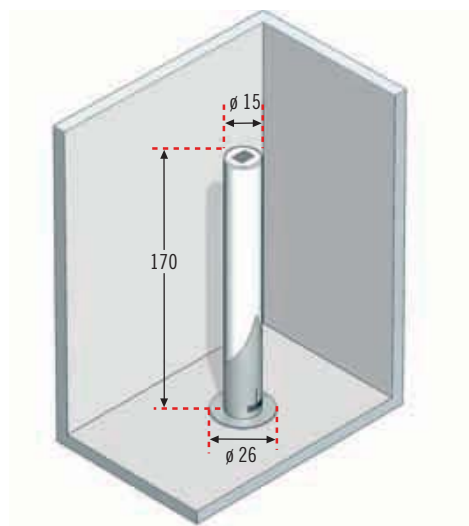
Code	Description	Price
CRILAM01	15 x 170 cm	



Aroma-therapy dispenser

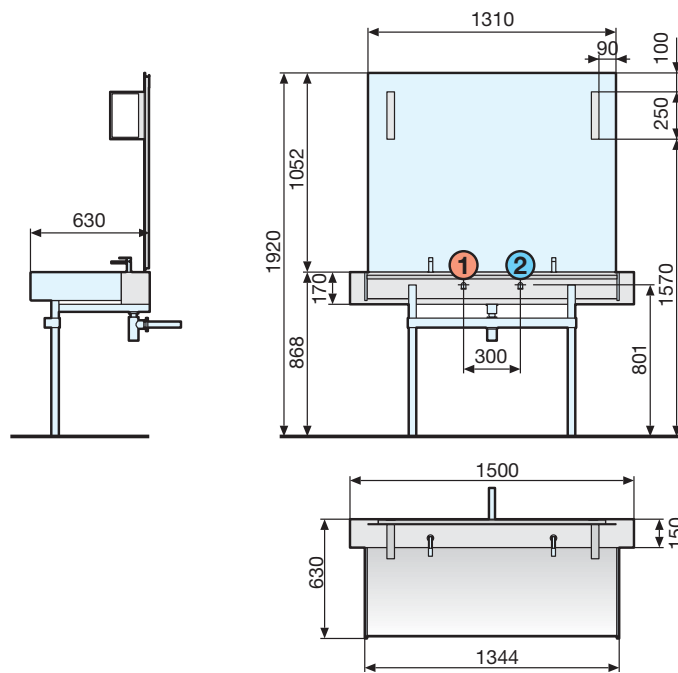


**Chromo light** fully adjustable RGB (red/green/blu) system colour sequence with remote control.

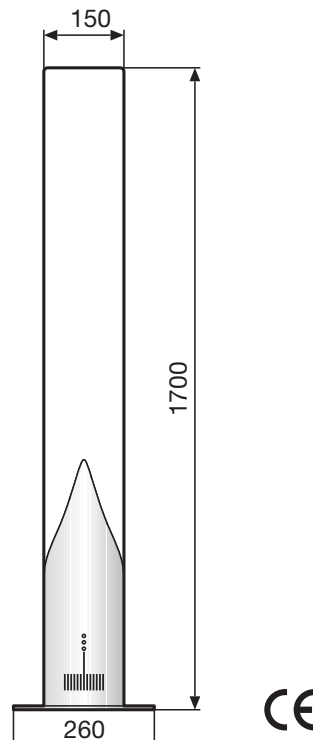


For technical diagrams see page 237.

## CRISTAL 3



## LIGHTSPACE



The whirlpool bath system must be fitted upstream with a 30 mA circuit breaker with a minimum contact of 3mm.

### BASIN HYDRAULIC AND ELECTRICAL FEATURES

- Siphon connection with 1/2" coupling

### LIGHTSPACE ELECTRICAL FEATURES

- Voltage 230 V
- Frequency 50 Hz
- Maximum absorbed power: 300 W