

# Equipped panels



Feel 4 Glamm 1 Equipped panel



Feel 4 Glamm 2 Equipped panel

# Feel 4 Glamm 1

# Feel 4 Glamm 2

Equipped panel

Code: **GLAM1VT-A** = **GLAM1VT-** + **A**

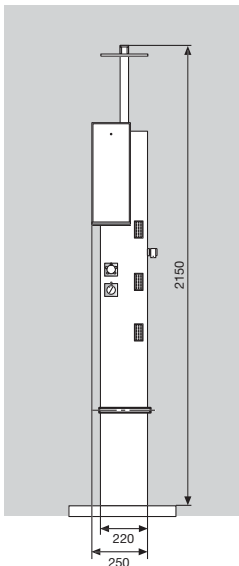
How to choose your product using the codes:

<b>GLAM1VT-</b>	<b>A</b>	<b>P</b>	<b>Q</b>	<b>T</b>	<b>W</b>
-----------------	----------	----------	----------	----------	----------

Mixer	Measurements (cm)	Code	Finish
-------	-------------------	------	--------

## Feel 4 Glamm 1 - Equipped panel

<b>A</b>	<b>P</b>	<b>Q</b>	<b>T</b>	<b>W</b>
----------	----------	----------	----------	----------

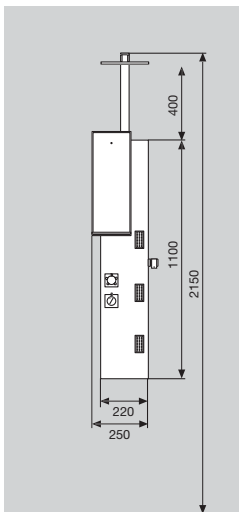


THERMOSTATIC	44 x 25 x H 215	<b>GLAM1VT-</b>	White	Ash	White Oak	Teak	Mirror
--------------	-----------------	-----------------	-------	-----	-----------	------	--------

FEATURES: Thermostatic mixer, Shower head, Brass shower hand, Adjustable vertical hydromassage, soap holder.

## Feel 4 Glamm 2 - Equipped panel

<b>A</b>	<b>P</b>	<b>Q</b>	<b>T</b>	<b>W</b>
----------	----------	----------	----------	----------

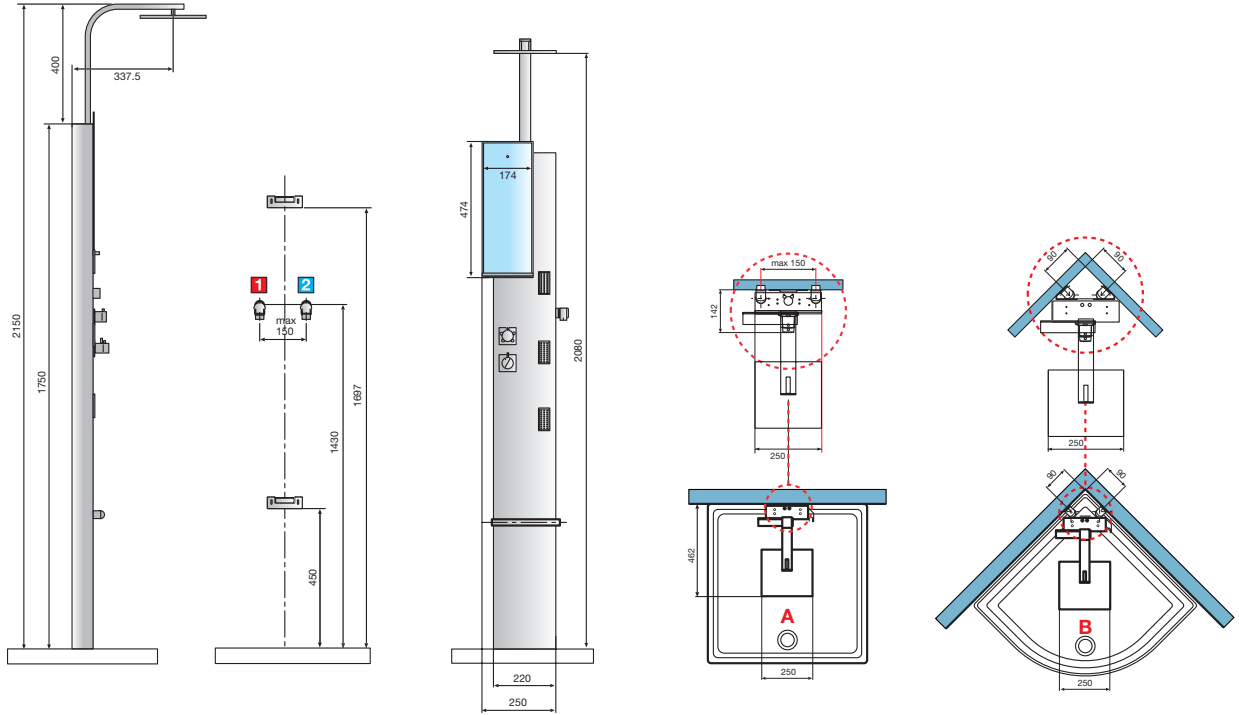


THERMOSTATIC	44 x 34 x H 150	<b>GLAM2VT-</b>	White	Ash	White Oak	Teak	Mirror
--------------	-----------------	-----------------	-------	-----	-----------	------	--------

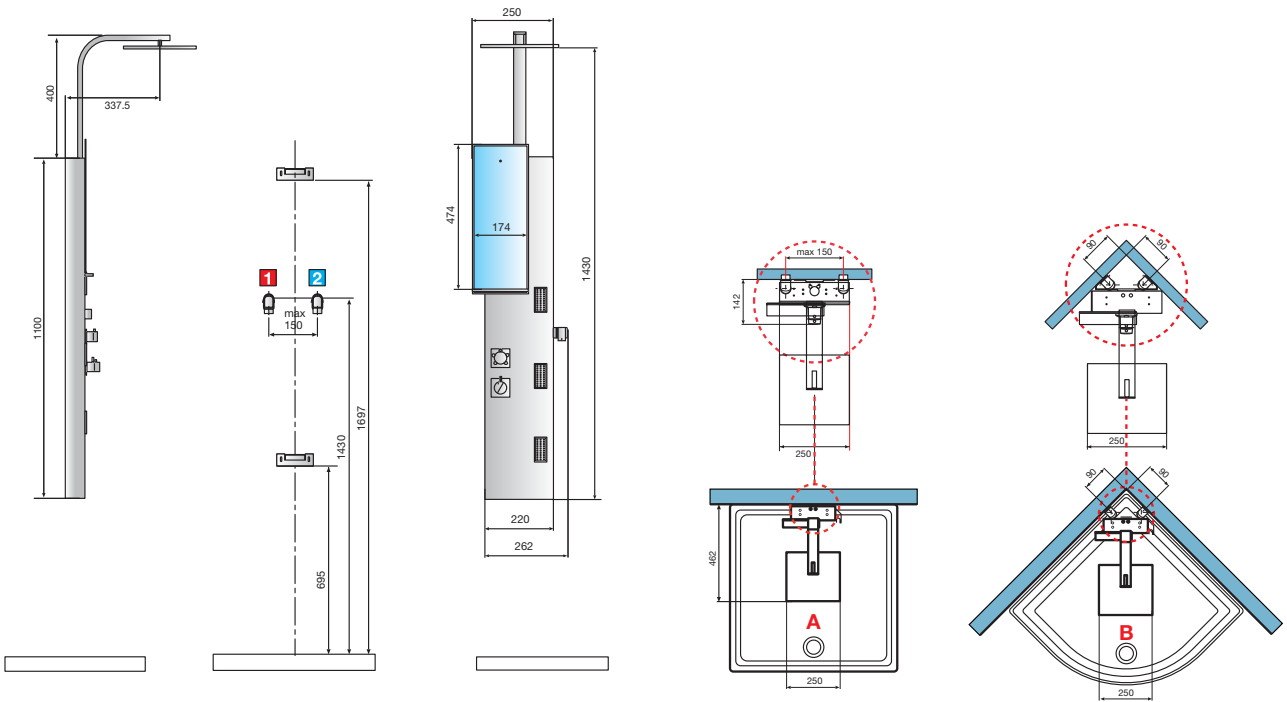
FEATURES: Thermostatic mixer, Brass shower hand, Adjustable vertical hydromassage, soap holder.

Features page 229, technical diagrams page 228.

FEEL 4 - GLAMM 1



FEEL 4 - GLAMM 2

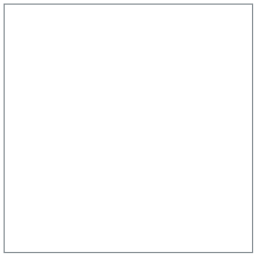


HYDRAULIC CHARACTERISTICS

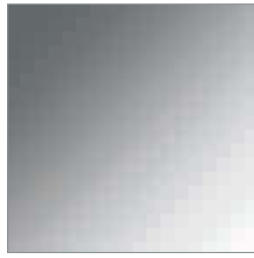
- Optimum dynamic pressure 2-5 bar
- 1/2" hot water connection
- Cold water connection 1/2"

## Equipped panels colours

### Styrene



white



mirror

### Leafy HPL with wood finish



ash



white oak



teak

Leafy HPL is a material with a very resistant surface to scratches, abrasion, water and heat.

Leafy HPL is easily cleaned and therefore ideal for applications where the hygiene is essential, as in the bathroom.

### Features



Chromo light (Soul 1, Soul 2 only)