



ref. **4** **Diamanti 2P+F** - 2 section door, 1 sliding + 1 fixed



Diamanti

Lifetime Guarantee

Diamanti

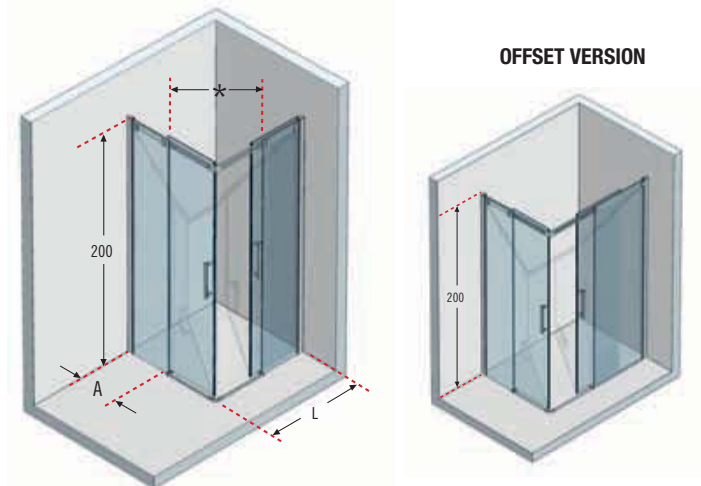
shower door height


200 cm

clear glass

8 mm

ref. **1** **Diamanti A** - Corner entry shower enclosure, 4 sections, 2 sliding + 2 fixed



OLYMPIC PLUS SQUARE	cm	Height 11,5 cm	Height 4,5 cm	Price
	80 x 80	OLN8011-30	OLN804-30	
	90 x 70	OLN907011-30	OLN90704-30	
	90 x 75	OLN907511-30	OLN90754-30	
	90 x 90	OLN9011-30	OLN904-30	
	100 x 100	OLN10011-30	OLN1004-30	
	100 x 80	OLN1008011-30	OLN100804-30	

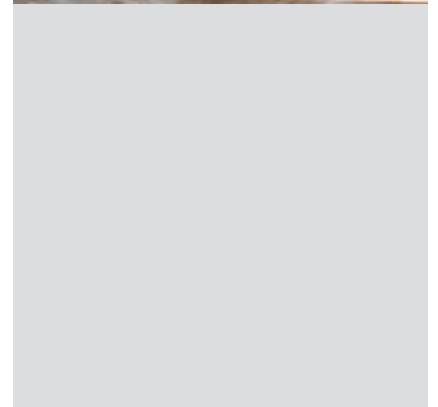


Compulsory
Imperial to Metric flex waste adaptor

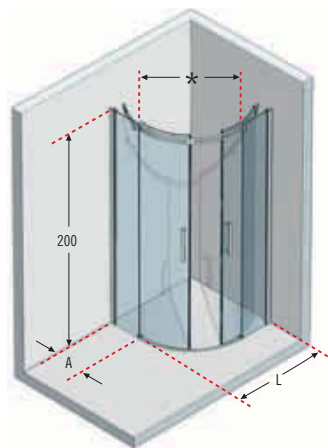
Code	RISCCAB
Price	


For shower trays, please see page 109.

For more help with choosing EXACTLY the model you want, see page 28.
How to take the measurement see page 28.



ref. **2** **Diamanti R** - Curved shower enclosure, 4 sections, 2 sliding + 2 fixed



OLYMPIC PLUS QUAD	cm	Height 11,5 cm	Height 4,5 cm	Price
	80 x 80	VINR8011-30	VINR804-30	
	90 x 90	VINR9011-30	VINR904-30	
	100 x 100	VINR10011-30	VINR1004-30	

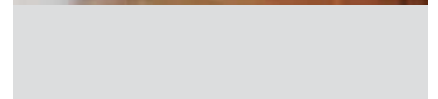
For shower trays, please see page 109.



Compulsory
Imperial to Metric flex waste adaptor

Code	RISCCAB
Price	

For more help with choosing EXACTLY the model you want, see page 29.
How to take the measurement see page 28.



Code: **DIAMAA80-1K** = **DIAMAA80-** + **S-** + **D-** + **1** + **K**

How to choose your product using the codes:

DIAMAA80-	S-	D-	1	K
-----------	----	----	---	---

Measurements (cm)	Access (cm)	Code	Left	Right	Glass	Profile colour	
							Price
			S-	D-	1	K	
L **	***	A	*		Clear	Chrome	
76 ↔ 78,5	77,5 ↔ 80	35	38	DIAMAA80-			
86 ↔ 88,5	87,5 ↔ 90	40	45	DIAMAA90-			
96 ↔ 98,5	97,5 ↔ 100	50	45	DIAMAA100-			
106 ↔ 108,5	107,5 ↔ 110	60	45	DIAMAA110-			
116 ↔ 118,5	117,5 ↔ 120	70	45	DIAMAA120-			

OFFSET VERSIONS Make your own enclosure by selecting 2 sides

L **	***	A		Code	Left	Right	Clear	Chrome
76 ↔ 78,5	77,5 ↔ 80	35		DIAMAA80L				
86 ↔ 88,5	87,5 ↔ 90	40		DIAMAA90L				
96 ↔ 98,5	97,5 ↔ 100	50		DIAMAA100L				
106 ↔ 108,5	107,5 ↔ 110	60		DIAMAA110L				
116 ↔ 118,5	117,5 ↔ 120	70		DIAMAA120L				

SPECIAL SIDE ON WIDTH (6 weeks delivery)

L 66 ↔ 113,5 x H 200	-		Code	Left	Right	Clear	Chrome
			DIAMAALSP				

**	***	A	*	Code	Left	Right	Glass	Profile colour	
									Price
							1	K	
**	***	A	*				Clear	Chrome	
76 ↔ 78,5	78 ↔ 80,5	21	36	DIAMAR80-					
86 ↔ 88,5	88 ↔ 90,5	28	48	DIAMAR90-					
96 ↔ 98,5	98 ↔ 100,5	38	48	DIAMAR100-					

OFFSET VERSIONS

**	***	A	*	Code	Left	Right	Clear	Chrome
80 x 90	76 ↔ 78,5 x 86 ↔ 88,5	77,5 ↔ 80 x 87,5 ↔ 90	36	DIAMAR8090- DIAMAR9080-				
90 x 120	86 ↔ 88,5 x 116 ↔ 118,5	87,5 ↔ 90 x 116,5 ↔ 120	48	DIAMAR90120- DIAMAR12090-				
80 x 100	76 ↔ 78,5 x 96 ↔ 98,5	77,5 ↔ 80 x 97,5 ↔ 100	36	DIAMAR80100- DIAMAR10080-				
80 x 120	76 ↔ 78,5 x 86 ↔ 88,5	77,5 ↔ 80 x 116,5 ↔ 120	36	DIAMAR80120- DIAMAR12080-				

** overall dimension. *** measure from the tiled wall to external edge of shower tray.

Technical data

Glass colours



Clear

Profile colours



Chrome

Handles



Chrome metal handle

Treatment



CRYSTAL CLEAR TREATMENT

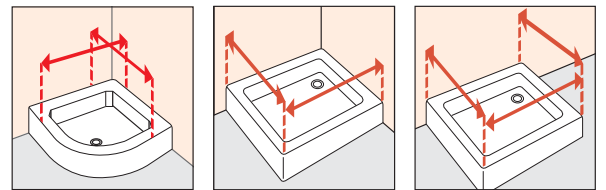
Leaves glass easy to clean.
Does not support the growth
of bacteria and scale.



PVD CHROME FINISH

Zero emission integrated cycle,
100% environment-friendly.
Antiscale, antibacteria, ecological,
long-time shining resistance.

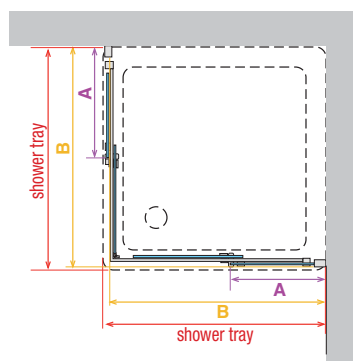
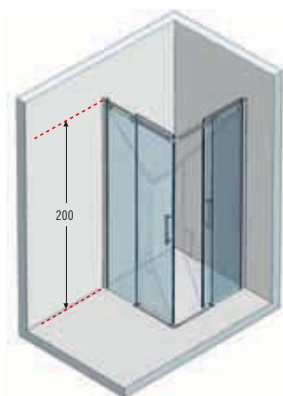
How to take the measurement



Take the measurements from the tiled wall to the external edge of the shower tray according to the above drawings.

Technical drawings

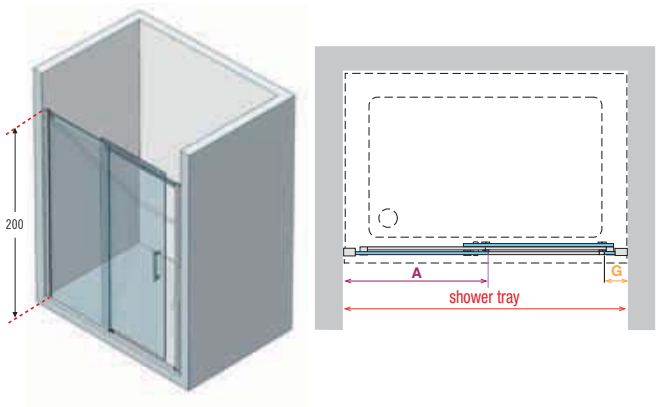
ref. **1** **Diamanti A** - Corner entry shower enclosure, 4 sections, 2 sliding + 2 fixed



Code	Measures shower trays from - to	B	A
DIAMAA80	77,5 - 80	76 - 78,5	35 - 37,5
DIAMAA90	87,5 - 90	86 - 88,5	40 - 42,5
DIAMAA100	97,5 - 100	96 - 98,5	50 - 52,5
DIAMAA110	107,5 - 110	106 - 108,5	60 - 62,5
DIAMAA120	117,5 - 120	116 - 118,5	70 - 72,5

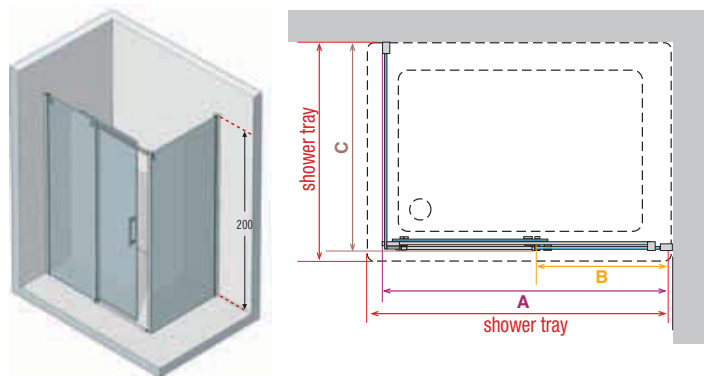
Technical drawings

ref. 3 **Diamanti 2P** - 2 section door, 1 sliding + 1 fixed for recess



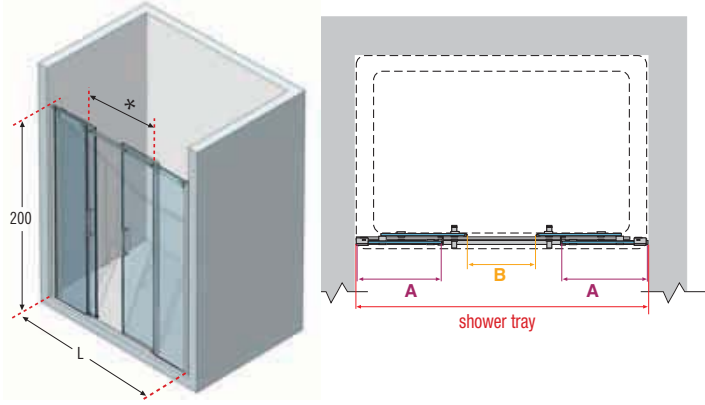
Code	Measures shower trays from - to	A	G
DIAMA2P120	116 - 121	55 - 57,5	9 - 11,5
DIAMA2P130	126 - 131	60 - 62,5	9 - 11,5
DIAMA2P140	136 - 141	65 - 67,5	9 - 11,5
DIAMA2P150	146 - 151	70 - 72,5	9 - 11,5
DIAMA2P160	156 - 161	75 - 77,5	9 - 11,5
DIAMA2P170	166 - 171	80 - 82,5	9 - 11,5
DIAMA2P180	176 - 181	85 - 87,5	9 - 11,5

ref. 4 **Diamanti 2P+F** - 2 section door, 1 sliding + 1 fixed



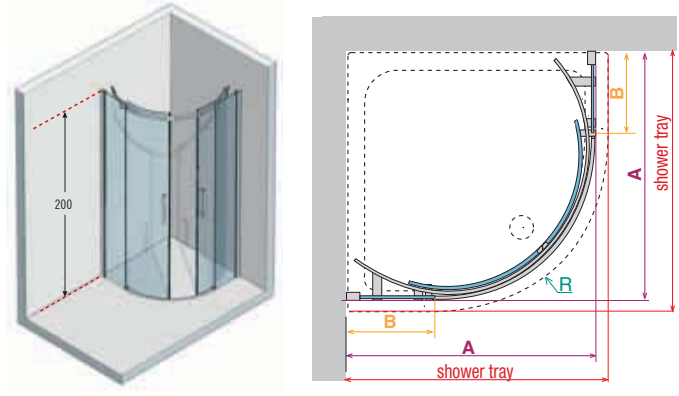
DOOR				SIDE PANEL		
Code	Measures shower trays from - to	A	B	Code	Measures shower trays from - to	C
DIAMA2PF120	117,5 - 120	116 - 118,5	55 - 57,5	DIAMAF70	68,5 - 70	66 - 68,5
DIAMA2PF130	127,5 - 130	126 - 128,5	60 - 62,5	DIAMAF75	73,5 - 75	71 - 73,5
DIAMA2PF140	137,5 - 140	136 - 138,5	65 - 67,5	DIAMAF80	78,5 - 80	76 - 78,5
DIAMA2PF150	147,5 - 150	146 - 148,5	70 - 72,5	DIAMAF90	88,5 - 90	86 - 88,5
DIAMA2PF160	157,5 - 160	156 - 158,5	75 - 77,5	DIAMAF100	98,5 - 100	96 - 98,5
DIAMA2PF170	167,5 - 170	166 - 168,5	80 - 82,5	DIAMAF110	108,5 - 110	106 - 108,5
DIAMA2PF180	177,5 - 180	176 - 178,5	85 - 87,5	DIAMAF120	118,5 - 120	116 - 118,5

ref. 5 **Diamanti 2A** - 2 section door, 1 sliding + 1 fixed for recess



Code	Measures shower trays from - to	A	B
DIAMA2A160	156 - 161	56-59	40
DIAMA2A170	166 - 171	62-65	42,5
DIAMA2A180	176 - 181	66-69	45
DIAMA2A190	186 - 191	72-75	47,5
DIAMA2A200	196 - 201	76-79	50

ref. 2 **Diamanti R** - Curved shower enclosure, 4 sections, 2 sliding + 2 fixed



Code	Measures shower trays from - to	A	B	R radius
DIAMAR8090	80 x 90	76-78,5	17,5-20	55
DIAMAR9080	90 x 80	86-88,5	27,5-30	55
DIAMAR10080	100 x 80	96-98,5	37,5-40	55
DIAMAR80100	80 x 100	76-78,5	17,5-20	55
DIAMAR80120	80 x 120	76-78,5	17,5-20	55
DIAMAR12080	120 x 80	116-118,5	57,5-60	55
DIAMAR90120	90 x 120	86-88,5	27,5-30	55
DIAMAR12090	120 x 90	116-118,5	57,5-60	55