

Shower trays

# Shower Trays

ref. **8** **LOW PROFILE stone tray**

Measurements (cm) **	Code	Height	Rim Width	Kg	Price
<b>BOW FRONT / ROND</b>	<b>white</b>				
cm 90 x 90	■ <b>NORS90-30</b>	cm 4.5	cm 4.5	35	



ref. **9** **LOW PROFILE easy plumb stone tray**

Measurements (cm) **	Code	Height	Rim Width	Kg	Price
<b>BOW FRONT / ROND</b>	<b>white</b>				
cm 90 x 90	■ <b>NORS90PFX-30</b>	cm 14	cm 4.5	37.5	



FAST FLOW WASTE INCLUDED

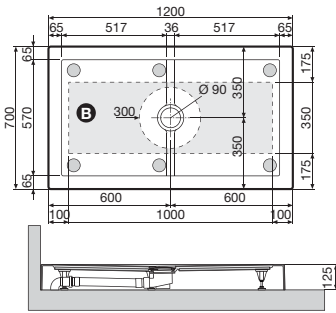
\* Please note: install the tray and take measurement for the appropriate enclosure only after tiling.

IMPORTANT - THESE TRAYS ARE ONLY SUITABLE FOR USE WITH THE VISION RS90 BOW FRONT ENCLOSURE - SEE PAGE 258

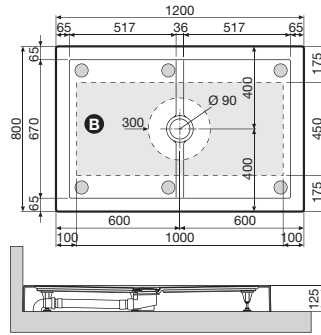
For technical details see page 258.

■ STOCK UK

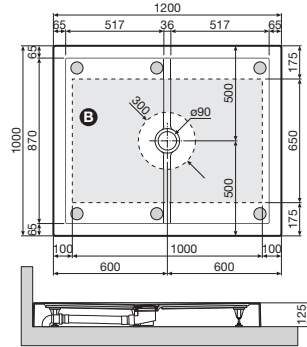
**Olympic Plus 120x70 - h 12,5 cm**



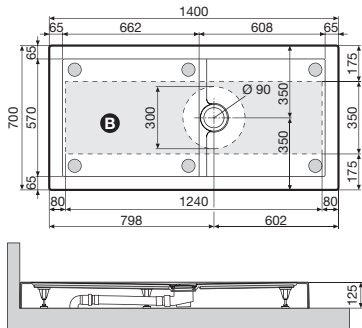
**Olympic Plus 120x80 - h 12,5 cm**



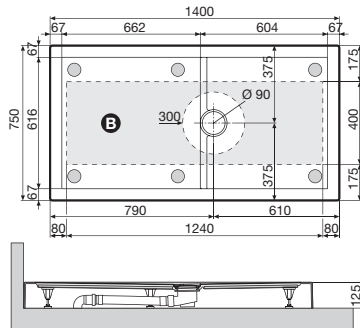
**Olympic Plus 120x100 - h 12,5 cm**



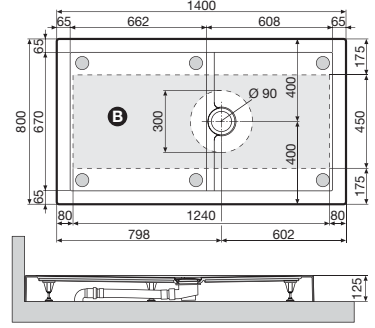
**Olympic Plus 140x70 - h 12,5 cm**



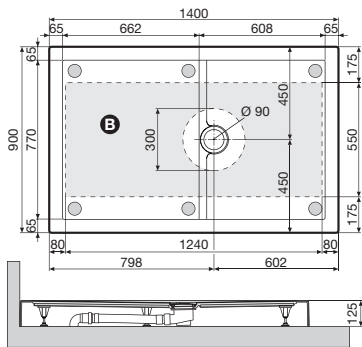
**Olympic Plus 140x75 - h 12,5 cm**



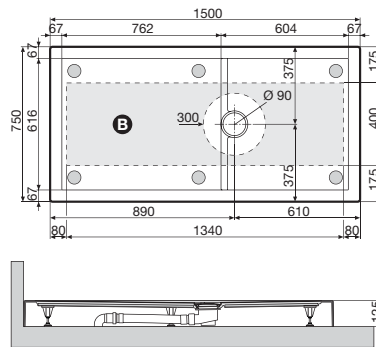
**Olympic Plus 140x80 - h 12,5 cm**



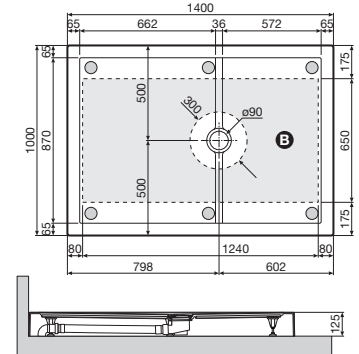
**Olympic Plus 140x90 - h 12,5 cm**



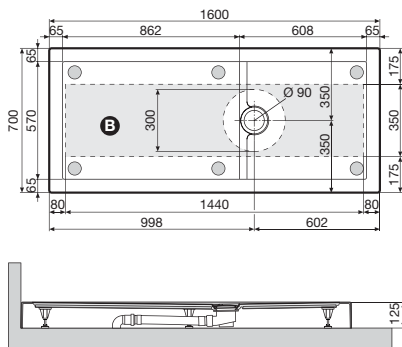
**Olympic Plus 150x75 - h 12,5 cm**



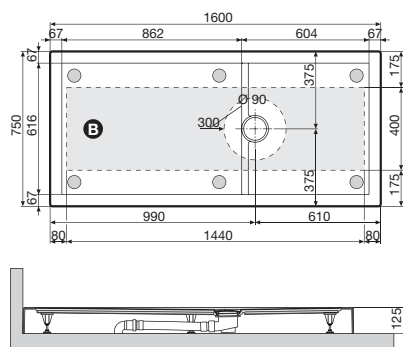
**Olympic Plus 140x100 - h 12,5 cm**



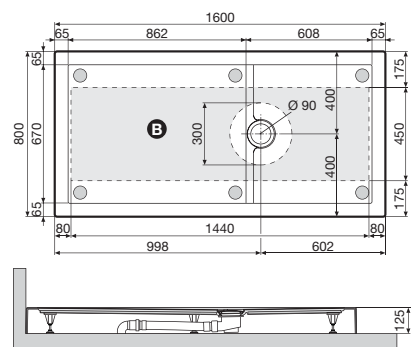
**Olympic Plus 160x70 - h 12,5 cm**



**Olympic Plus 160x75 - h 12,5 cm**



**Olympic Plus 160x80 - h 12,5 cm**



**B** Recommended space for floor-mounted drain

**C** Minimum space required in floor

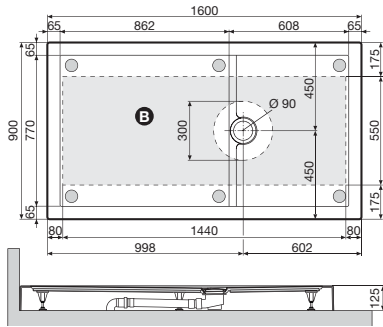


# Technical drawings

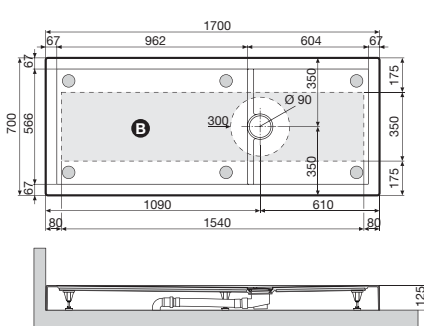
ref. **1** ref. **2** **Olympic Plus** - Rectangular shower tray with waste column

Height 12,5 cm

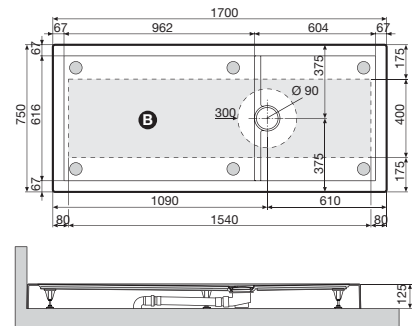
**Olympic Plus 160x90** - h 12,5 cm



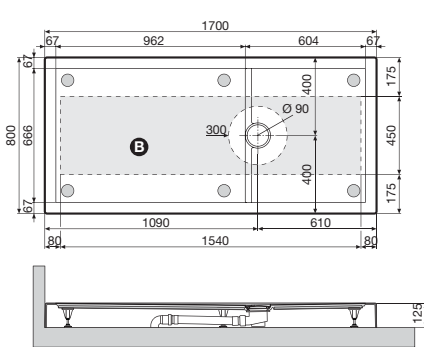
**Olympic Plus 170x70** - h 12,5 cm



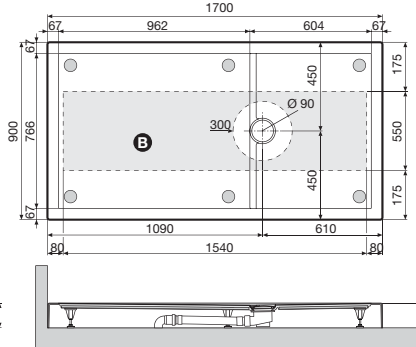
**Olympic Plus 170x75** - h 12,5 cm



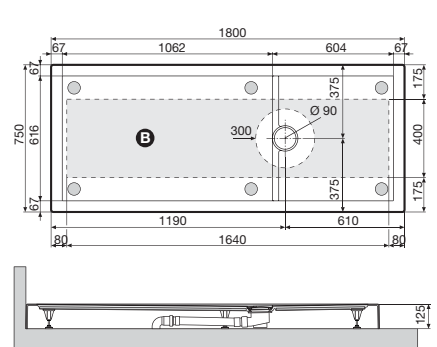
**Olympic Plus 170x80** - h 12,5 cm



**Olympic Plus 170x90** - h 12,5 cm



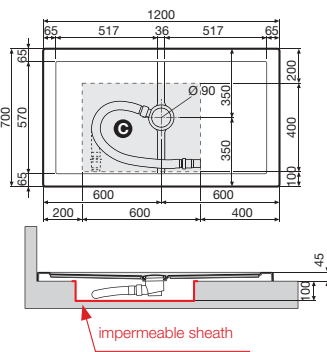
**Olympic Plus 180x75** - h 12,5 cm



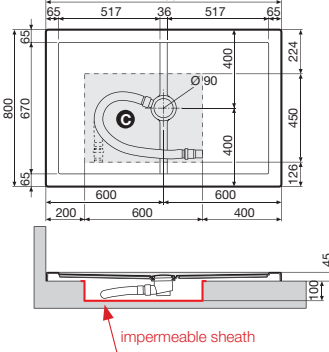
ref. **1** ref. **2** **Olympic Plus** - Rectangular shower tray with waste column

Height 4,5 cm

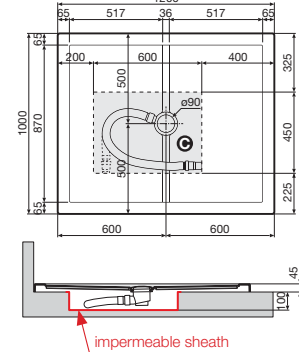
**Olympic Plus 120x70** - h 4,5 cm



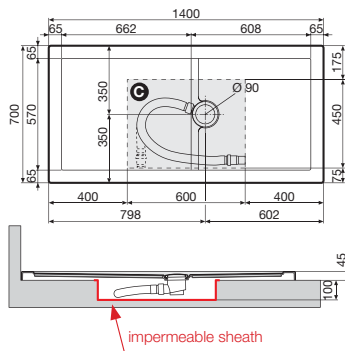
**Olympic Plus 120x80** - h 4,5 cm



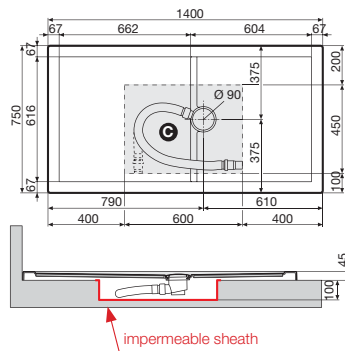
**Olympic Plus 120x100** - h 4,5 cm



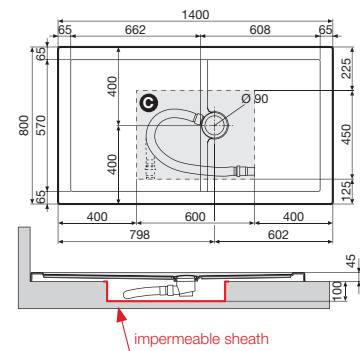
**Olympic Plus 140x70** - h 4,5 cm



**Olympic Plus 140x75** - h 4,5 cm



**Olympic Plus 140x80** - h 4,5 cm



**B** Recommended space for floor-mounted drain

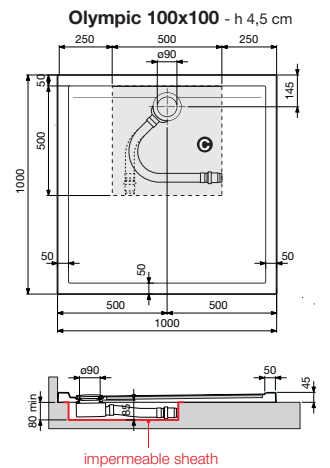
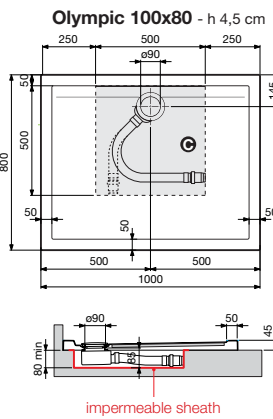
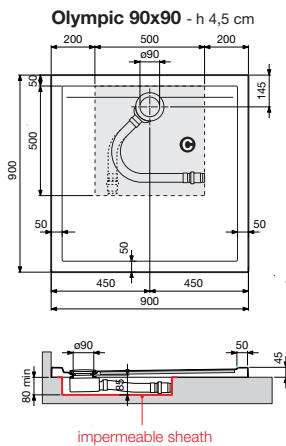
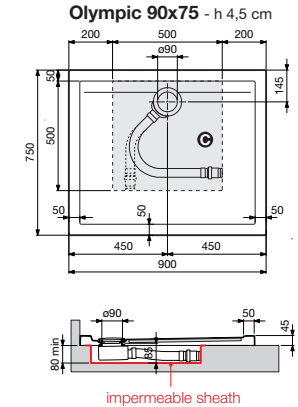
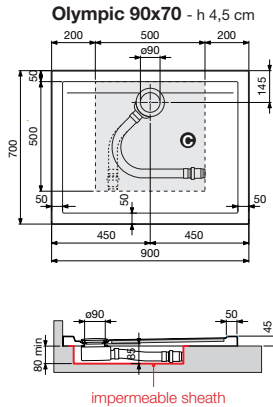
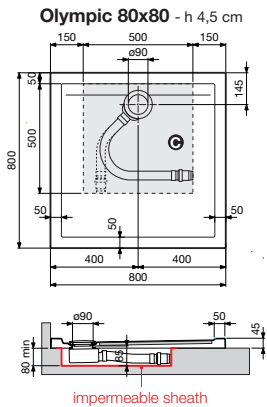
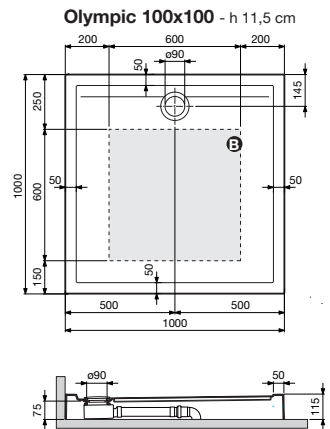
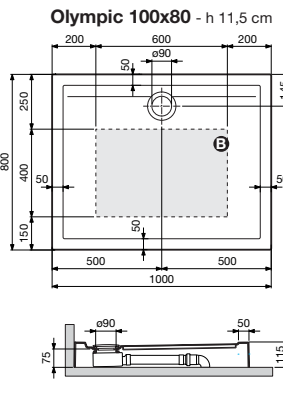
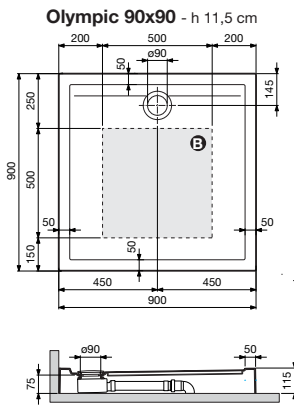
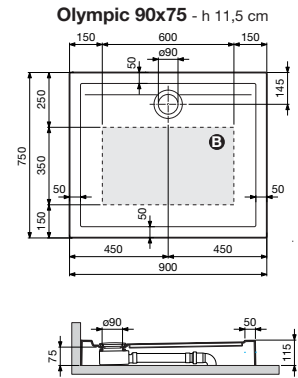
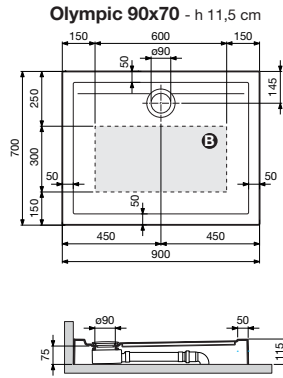
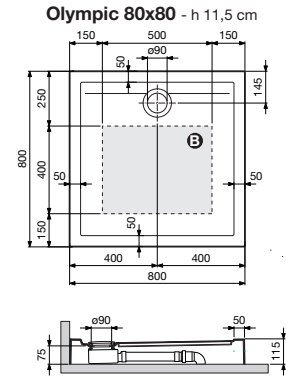
**C** Minimum space required in floor





# Technical drawings

ref. **3** **Olympic Square** - Square and rectangular shower tray



**B** Recommended space for floor-mounted drain

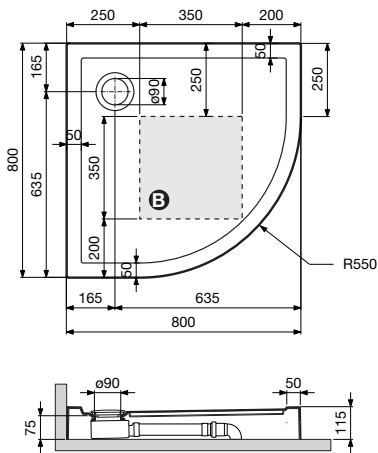
**C** Minimum space required in floor



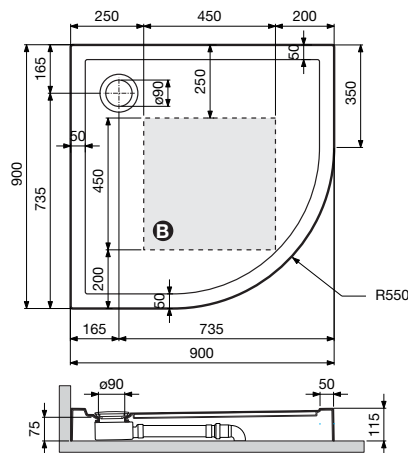
# Technical drawings

## ref. 4 Olympic Quad - Quadrant shower tray

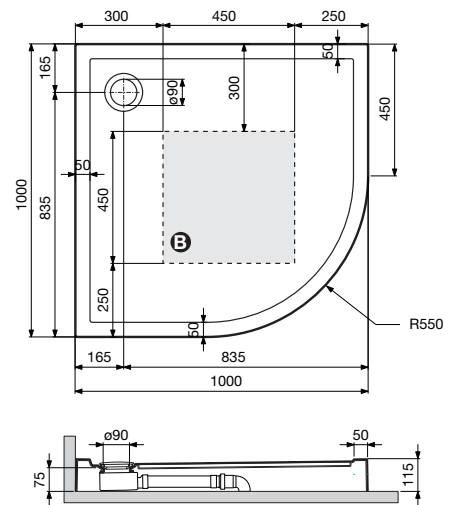
**Olympic Quad R80 - h 11,5 cm**



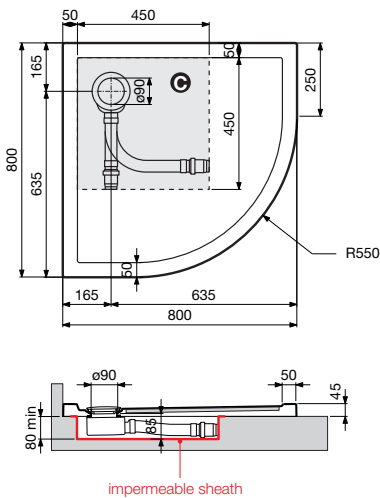
**Olympic Quad R90 - h 11,5 cm**



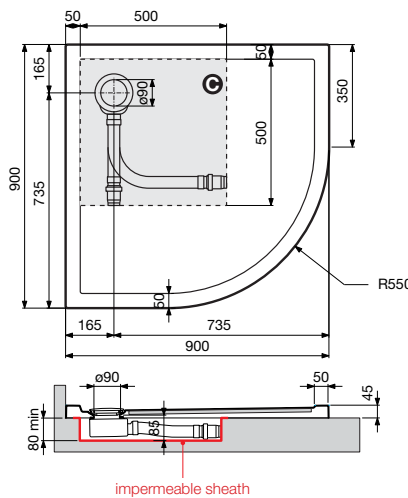
**Olympic Quad R100 - h 11,5 cm**



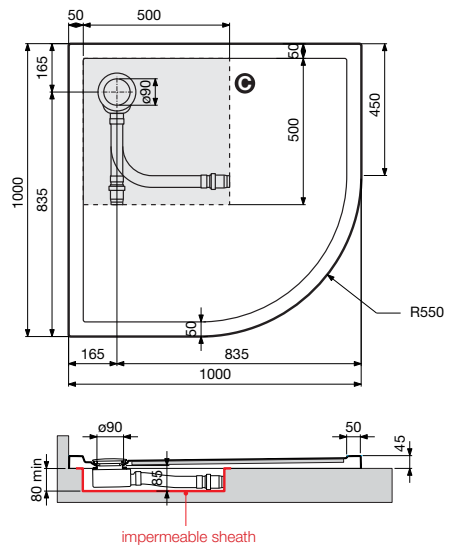
**Olympic Quad R80 - h 4,5 cm**



**Olympic Quad R90 - h 4,5 cm**



**Olympic Quad R100 - h 4,5 cm**



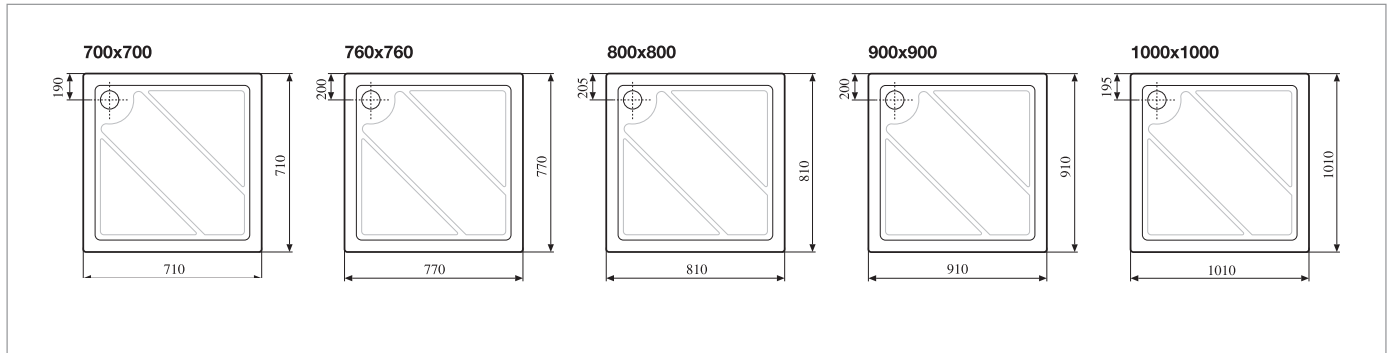
**B** Recommended space for floor-mounted drain

**C** Minimum space required in floor

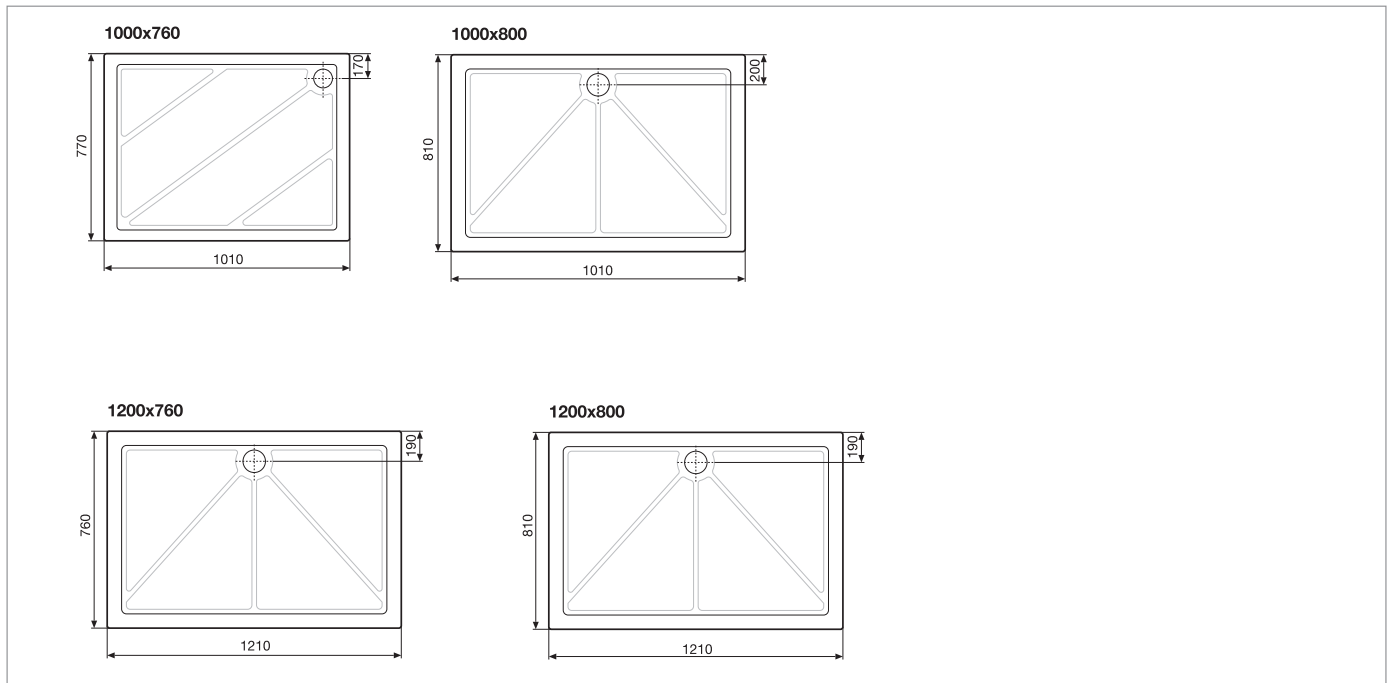


# Technical drawings

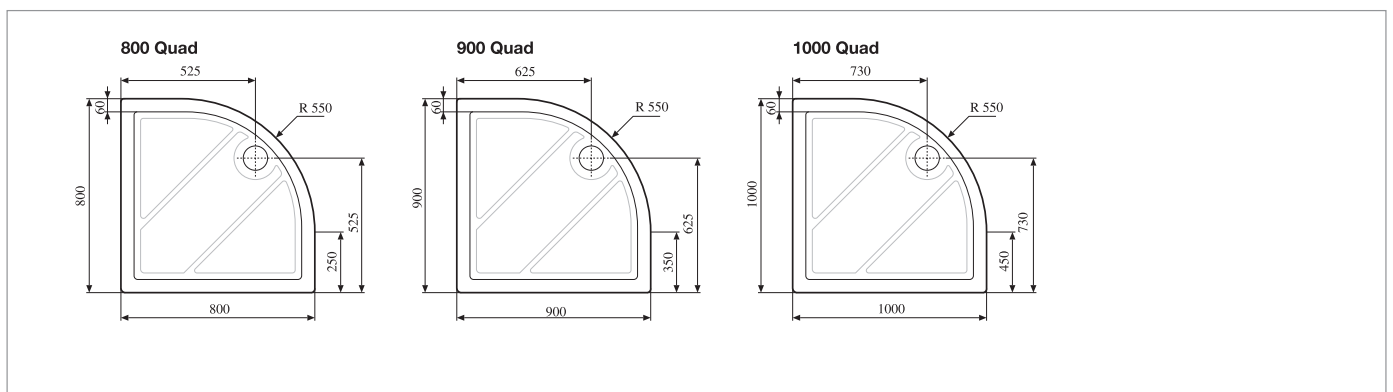
ref. **5** STANDARD Stone trays



STANDARD STONE TRAYS - SQUARE SHOWER TRAYS



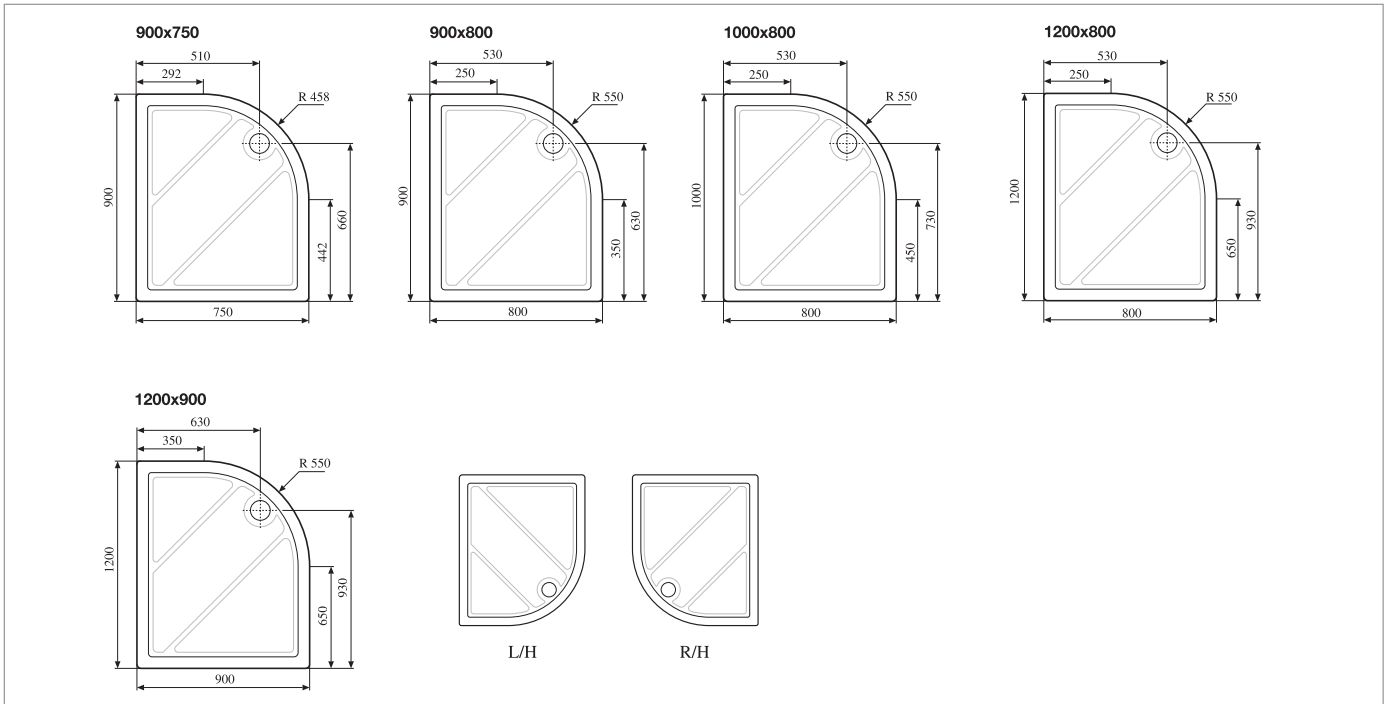
STANDARD STONE TRAYS - RECTANGULAR SHOWER TRAYS



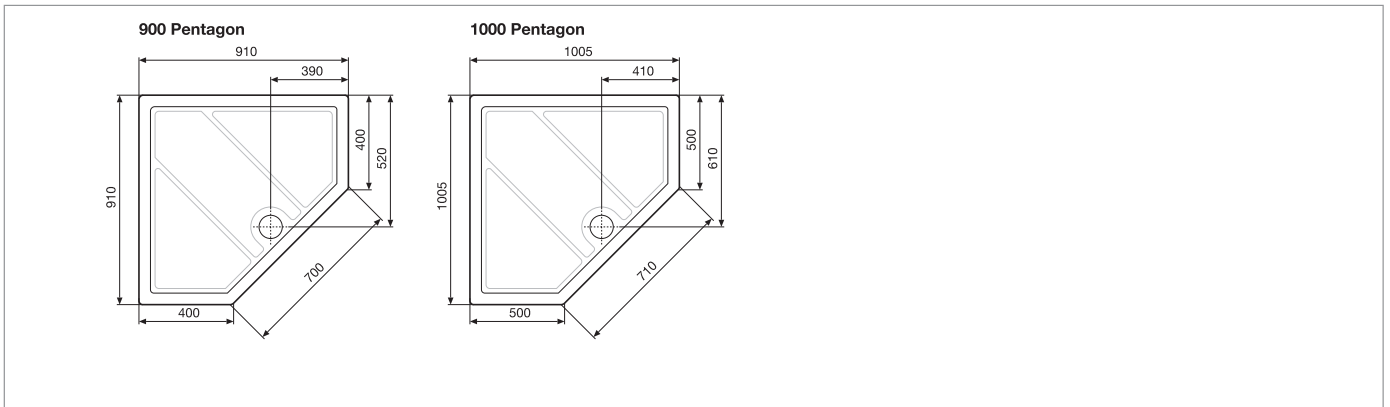
STANDARD STONE TRAYS - QUADRANT SHOWER TRAYS

# Technical drawings

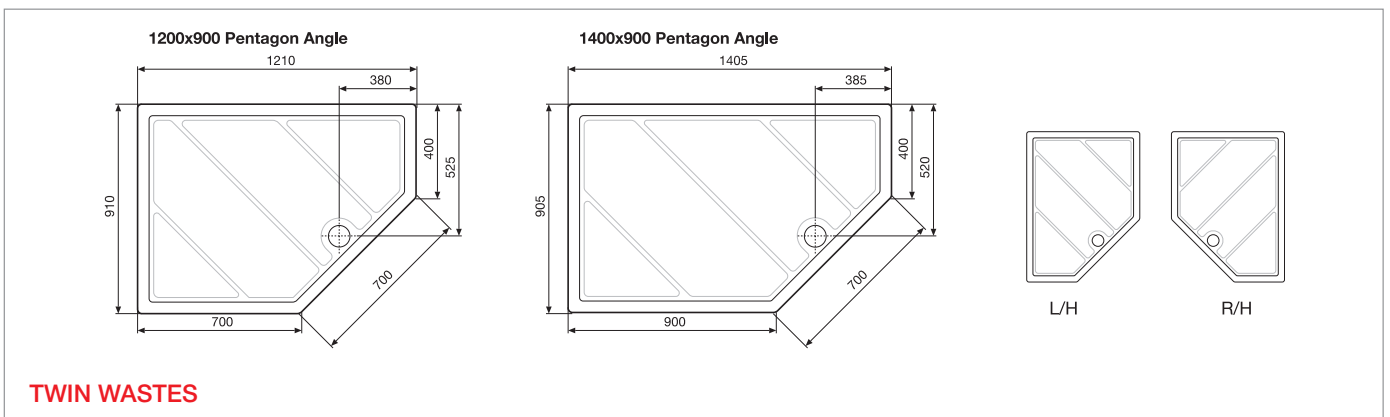
ref. **5** STANDARD Stone trays



STANDARD STONE TRAYS - OFFSET QUADRANT SHOWER TRAYS



STANDARD STONE TRAYS - PENTAGON SHOWER TRAYS



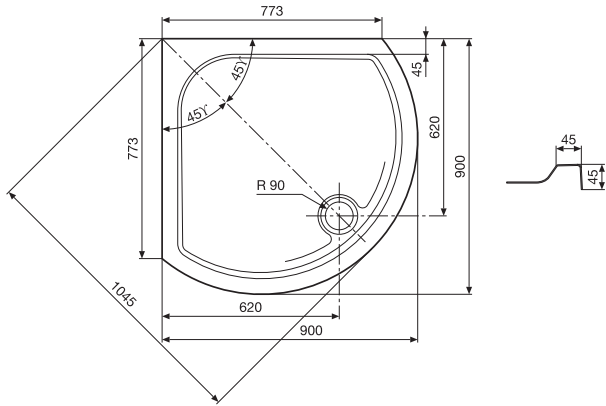
**TWIN WASTES**

STANDARD STONE TRAYS - OFFSET PENTAGON SHOWER TRAYS

# Technical drawings

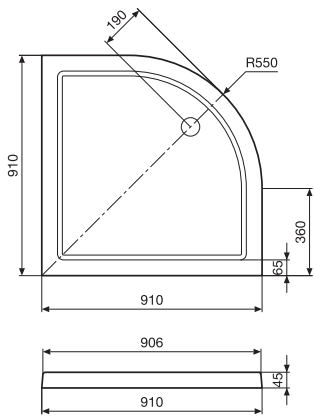
ref. **6** LOW PROFILE Acrylic capped

**RS90 Bow Front Quad Resin Stone Shower Tray**

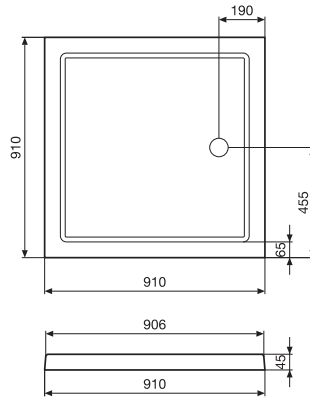


Suitable only for  
VISION RS90 enclosure.

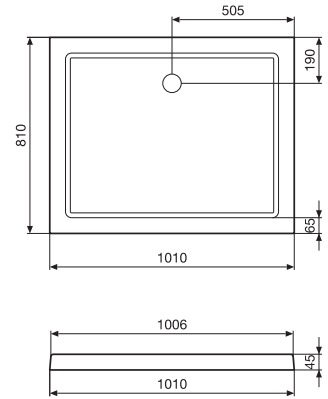
**900 Quad**



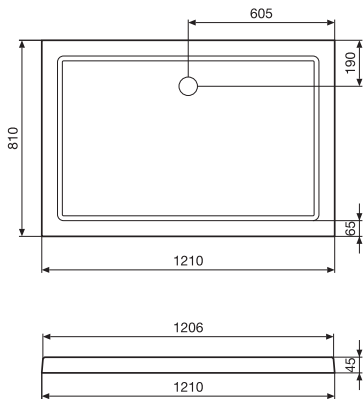
**900x900**



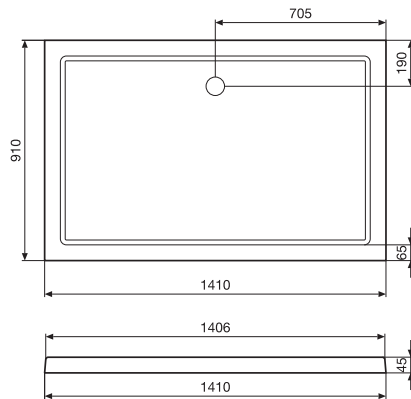
**1000x800**



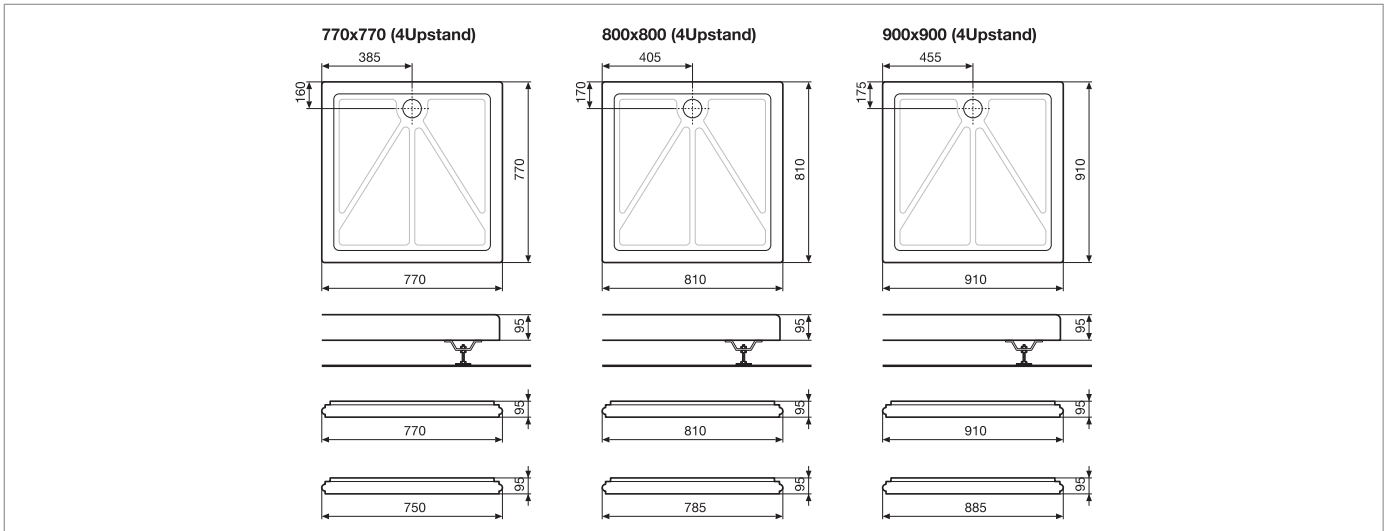
**1200x800**



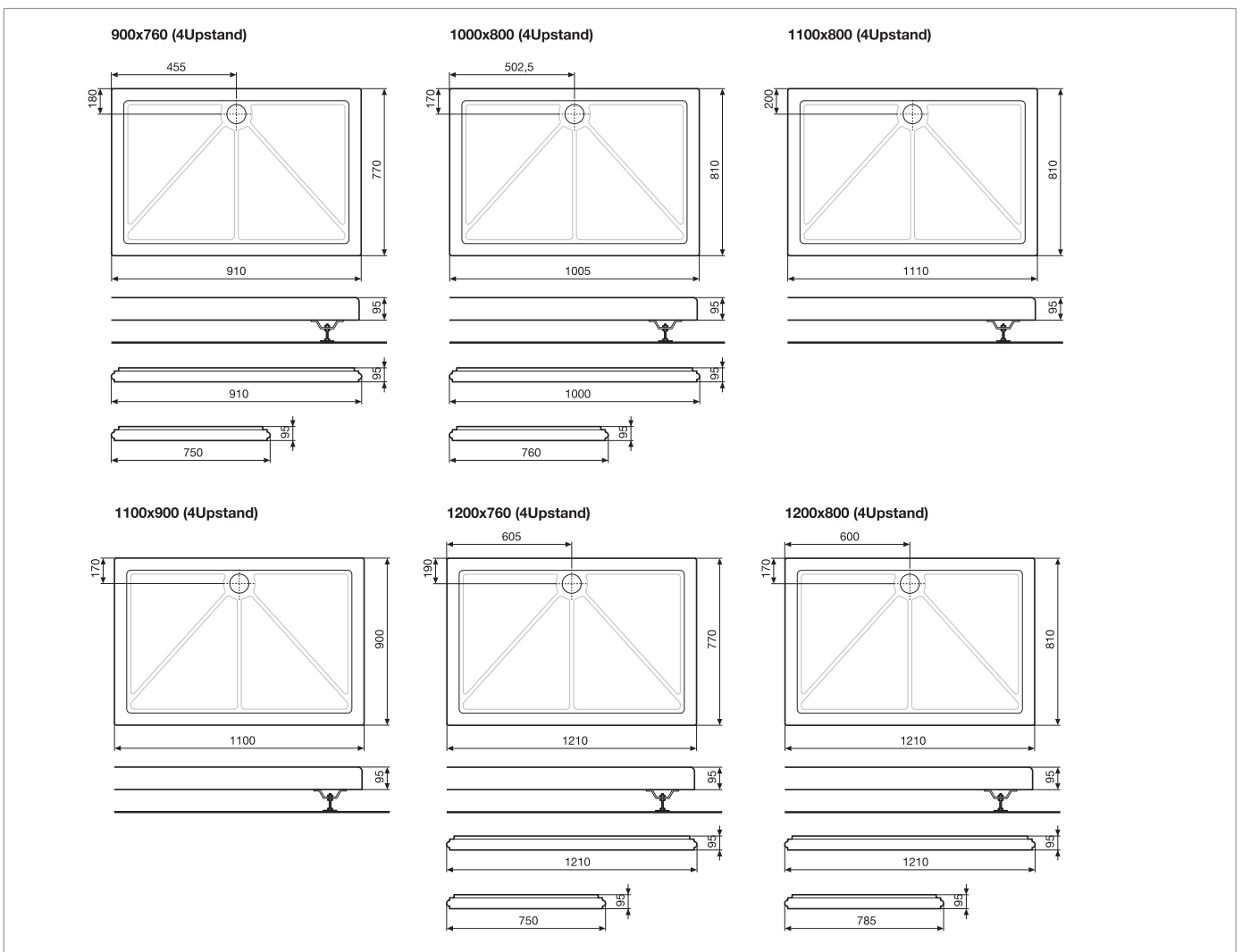
**1400x900**



LOW PROFILE ACRYLIC CAPPED SHOWER TRAYS



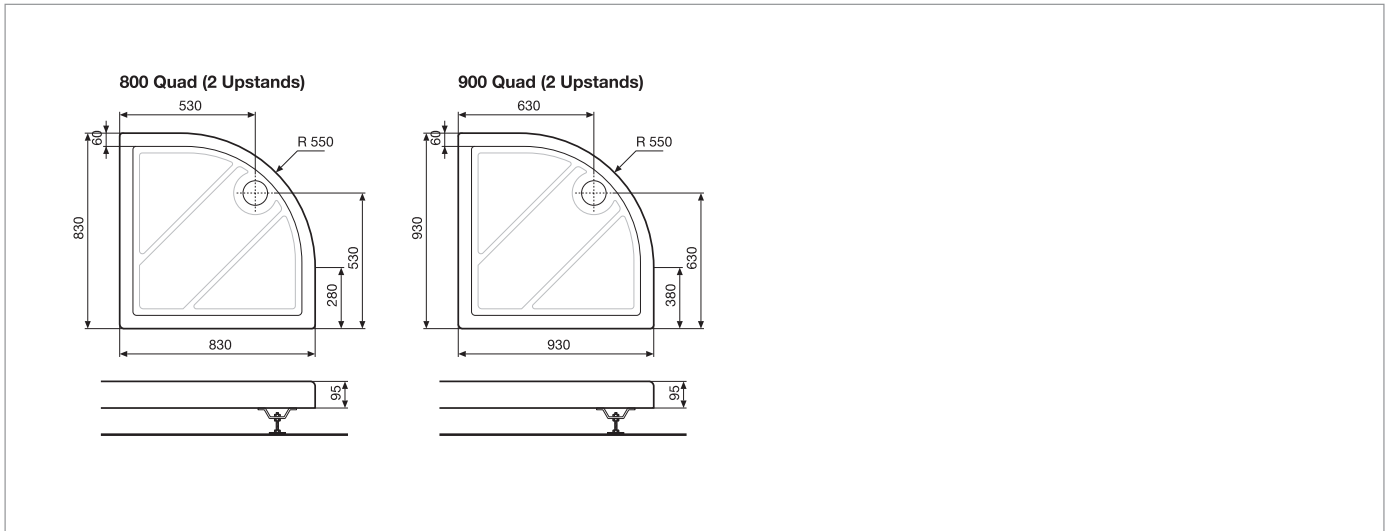
NEW-BUILD STONE TRAYS - SQUARE SHOWER TRAYS



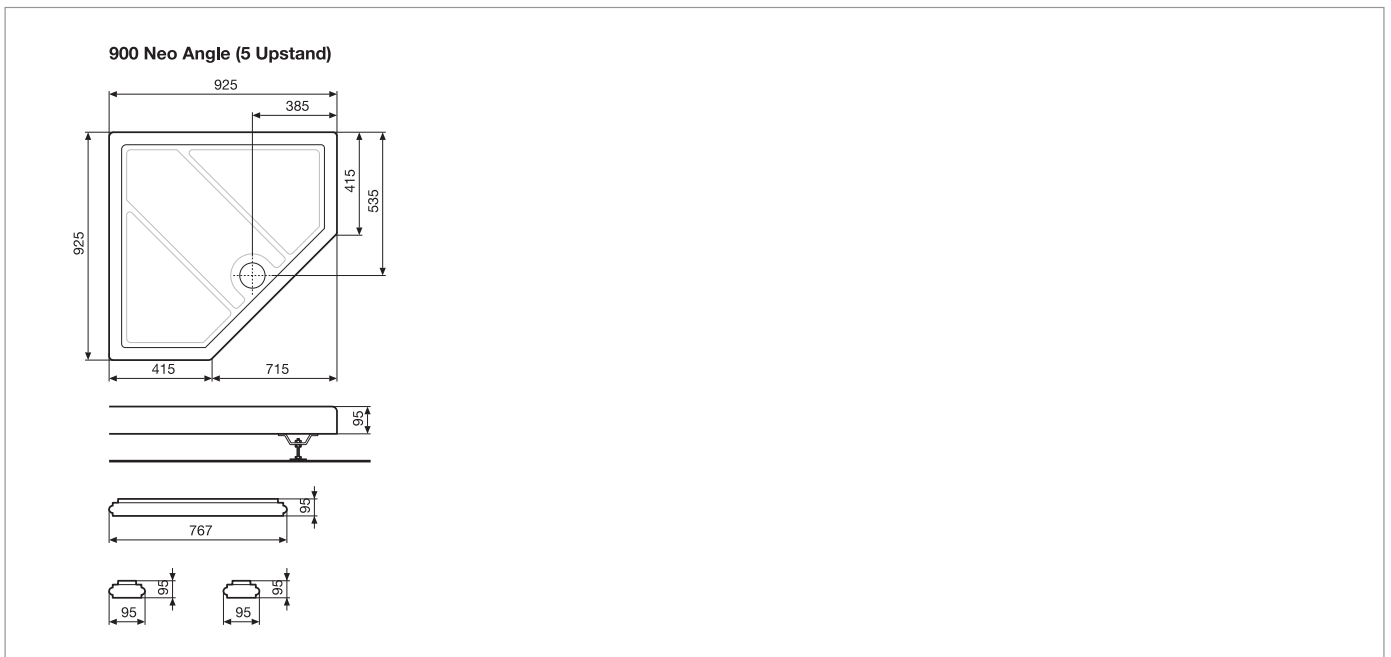
NEW-BUILD STONE TRAYS - RECTANGULAR SHOWER TRAYS

# Technical drawings

ref. **10** NEW-BUILD stone trays



NEW-BUILD STONE TRAYS - QUADRANT SHOWER TRAYS



NEW-BUILD STONE TRAYS - PENTAGON SHOWER TRAYS