





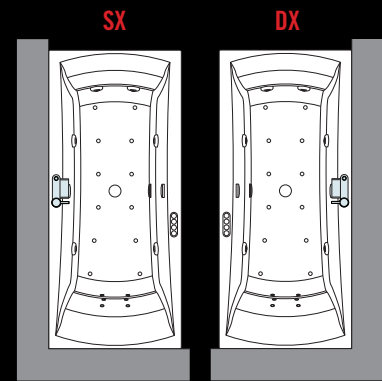
Vasche
Bathtub

Sense 6 - Y

Sense 6 - Y

Vasca rettangolare / *Rectangular bathtub*

cm 170x70 capacità / *capacity* 180 lt.
 cm 180x80 capacità / *capacity* 220 lt.
 cm 190x80 capacità / *capacity* 230 lt.



FINITURE DISPONIBILI / *FEATURES*



Poggiatesta
Head rest



Rubinetteria
meccanica
bordo vasca
con cascata
e doccia
*Bath mounted
cascade mixer*



Cromolight
*Chromotherapy
light*



Disinfezione
Disinfectant system

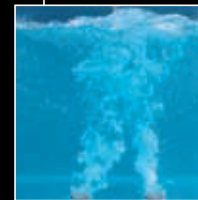


Airpool dorsali 6 jets
Back airpool 6 nozzles



Pannello elettronico con
funzioni hydro sequence
*Electronic panel with
hydro sequence function*

Colonna di scarico
Waste column



Airpool 12 jets



Whirlpool 6 jets con
regolazione portata e
sistema di chiusura
*Whirlpool 6 jets with
control of the range and
system of closing*

OPTIONAL



RUBINETTERIA
MECCANICA A
PAVIMENTO
*FLOOR
MOUNTED
BATHTUB
FILLE*

KRUBBVAS-K



COLONNA DI
SCARICO
*WASTE
COLUMN*

COLSCAVK-K



PANNELLO
D'ISPEZIONE
PER VASCHE
AD INCASSO
*INSPECTION
PANEL FOR
BUILT-IN
BATHTUBS*
60x33 CM

PANISPEL-A



PROFILO
DI FINITURA
RIGIDO
*BATH EDGE
PROFILE*

PRV185-30

1 lato/side
cm 185

PRV18585-30

2 lati/sides
cm 185x85

Misure Measurements (cm)	Vasca Bathtub	Codice Code	Prezzo Price	Vasca Bathtub	Codice Code	Prezzo Price
	SENZA rubinetteria bordo vasca WITHOUT bath mounted cascade mixer			CON rubinetteria bordo vasca WITH bath mounted cascade mixer		

VERSIONE STANDARD / STANDARD VERSION

190 x 93 x 58 H		X3219092S-A3			X3219092S2-A3K	
-----------------	---	---------------------	--	--	-----------------------	--

FINITURE: Telaio, 3 pannelli, poggiatesta, sedile, colonna di scarico

FEATURES: Frame, 3 panels, removable seat, head rest, waste column

VERSIONE IDROMASSAGGIO / HYDRO VERSION

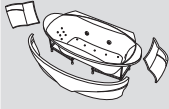
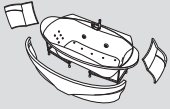
VERSIONE HYDRO / HYDRO VERSION

190 x 93 x 58 H		X3519092RS0-A3K			X3519092RS2-A3K	
-----------------	---	------------------------	--	--	------------------------	--

FINITURE: Telaio, 3 pannelli, poggiatesta, sedile, colonna di scarico, whirlpool 6 jets, pannello elettronico

FEATURES: Frame, 3 panels, removable seat, head rest, waste column, whirlpool 6 jets, electronic panel

VERSIONE PLUS / PLUS VERSION

190 x 93 x 58 H		X3719092RS6-A3K			X3719092RS7-A3K	
-----------------	---	------------------------	--	--	------------------------	--

FINITURE: Telaio, 3 pannelli, poggiatesta, sedile, colonna di scarico, whirlpool 6 jets, airpool 12 jets, airpool dorsali 6 jets, pannello elettronico, cromolight, disinfezione

FEATURES: Frame, 3 panels, removable seat, head rest, waste column, whirlpool 6 jets, airpool 12 jets, back airpool 6 nozzles, electronic panel, chromotherapy light, disinfectant system

Vasche
Bathtub

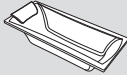


Sense 6 - Y versione base / basic version

Misure Measurements (cm)	Vasca Bathtub	Codice Code	Prezzo Price
SENZA rubinetteria bordo vasca <i>WITHOUT bath mounted cascade mixer</i>			

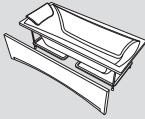
Vasca Bathtub	Codice Code	Prezzo Price
CON rubinetteria bordo vasca <i>WITH bath mounted cascade mixer</i>		

VERSIONE STANDARD / STANDARD VERSION

170 x 70 x 58 H		Y117070-A	
180 x 80 x 58 H		Y118080-A	
190 x 80 x 58 H		Y119080-A	

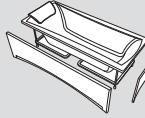
	S	Y117070S2-A0K	
	D	Y117070D2-A0K	
	S	Y118080S2-A0K	
	D	Y118080D2-A0K	
	S	Y119080S2-A0K	
	D	Y119080D2-A0K	

FINITURE: Poggiatesta, (SENZA COLONNA DI SCARICO)
 FEATURES: Head rest (PUW NOT INCLUDED)

170 x 70 x 58 H		Y217070-A1	
180 x 80 x 58 H		Y218080-A1	
190 x 80 x 58 H		Y219080-A1	

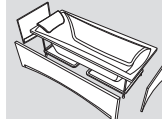
	S	Y217070S2-A1K	
	D	Y217070D2-A1K	
	S	Y218080S2-A1K	
	D	Y218080D2-A1K	
	S	Y219080S2-A1K	
	D	Y219080D2-A1K	

FINITURE: Telaio, 1 pannello frontale, poggiatesta, colonna di scarico
 FEATURES: Frame, front panel, head rest, waste column

170 x 70 x 58 H		Y217070-A2	
180 x 80 x 58 H		Y218080-A2	
190 x 80 x 58 H		Y219080-A2	

	S	Y217070S2-A2K	
	D	Y217070D2-A2K	
	S	Y218080S2-A2K	
	D	Y218080D2-A2K	
	S	Y219080S2-A2K	
	D	Y219080D2-A2K	

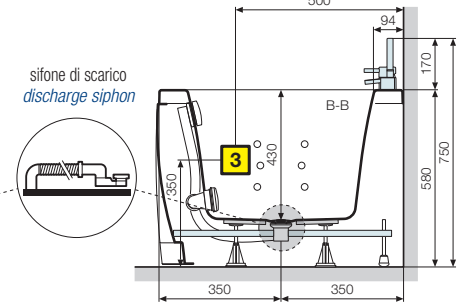
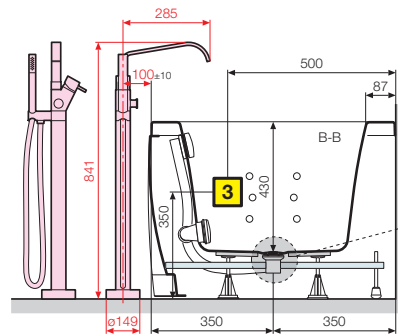
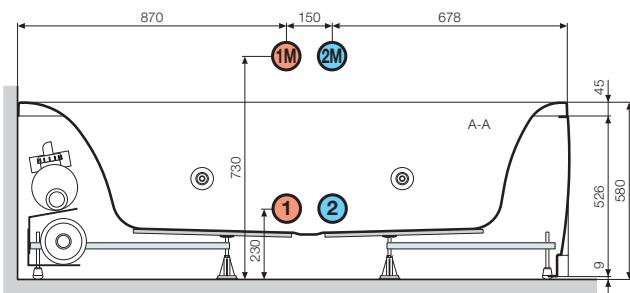
FINITURE: Telaio, 2 pannelli, poggiatesta, colonna di scarico
 FEATURES: Frame, 2 panels, head rest, waste column

170 x 70 x 58 H		Y217070-A3	
180 x 80 x 58 H		Y218080-A3	
190 x 80 x 58 H		Y219080-A3	

	S	Y217070S2-A3K	
	D	Y217070D2-A3K	
	S	Y218080S2-A3K	
	D	Y218080D2-A3K	
	S	Y219080S2-A3K	
	D	Y219080D2-A3K	

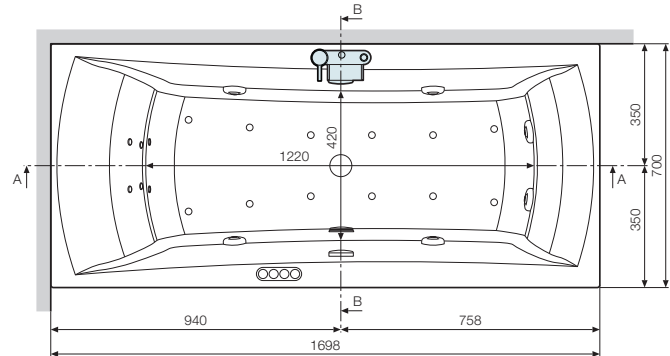
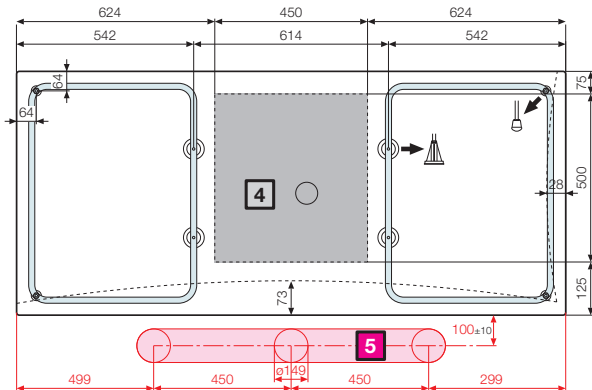
FINITURE: Telaio, 3 pannelli, poggiatesta, colonna di scarico
 FEATURES: Frame, 3 panels, head rest, waste column

SENSE 6 - Y 170x70

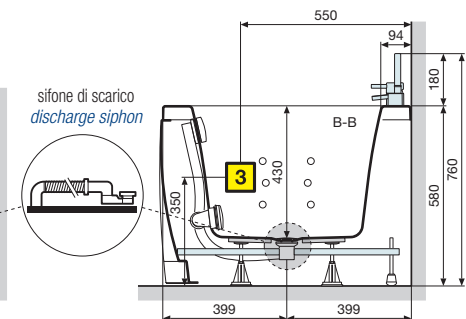
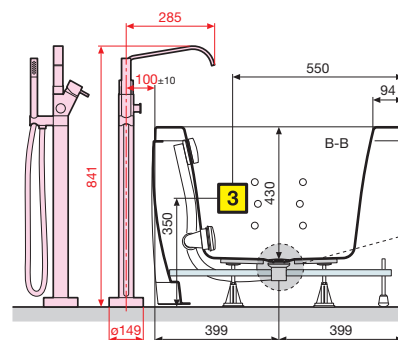
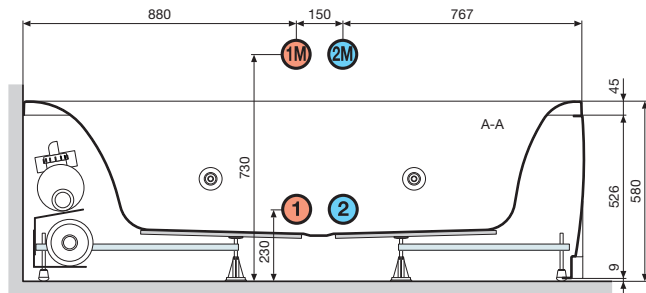


Rubinetteria a pavimento / *Floor-mounted mixer*

Rubinetteria a bordo vasca / *Bath mounted cascade mixer*

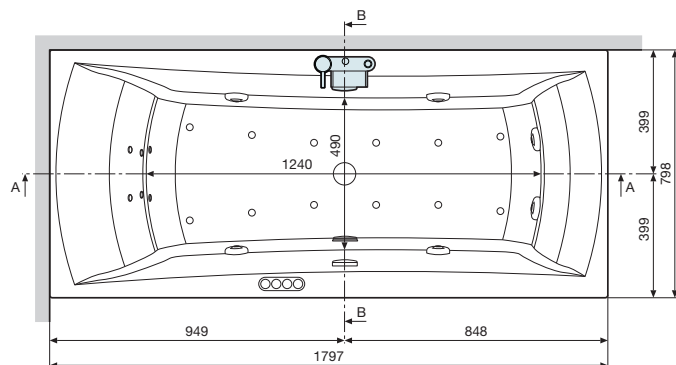
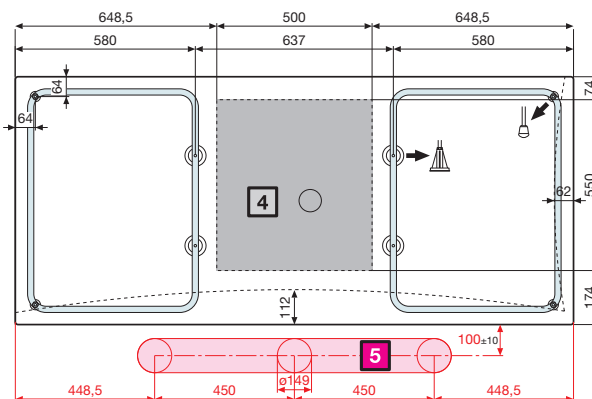


SENSE 6 - Y 180x80



Rubinetteria a pavimento / *Floor-mounted mixer*

Rubinetteria a bordo vasca / *Bath mounted cascade mixer*



Installare a monte dell'apparecchio un interruttore differenziale da 30mA provvisto di interruttore onnipolare con apertura minima dei contatti ≥ 3 mm.

The whirlpool bath system must be fitted upstream with a 30 mA circuit breaker with a minimum contact of 3mm.

CARATTERISTICHE IDRAULICHE

- 6 bocchette whirlpool
- 12 bocchette airpool
- 6 bocchette airpool dorsale
- Allaccio sifone con raccordo 1 1/2"

CARATTERISTICHE ELETTRICHE

- Tensione 220-230 V
- Frequenza 50 Hz
- Potenza massima assorbita: whirlpool 880 W, airpool 900 W, whirlpool + airpool: 1800 W

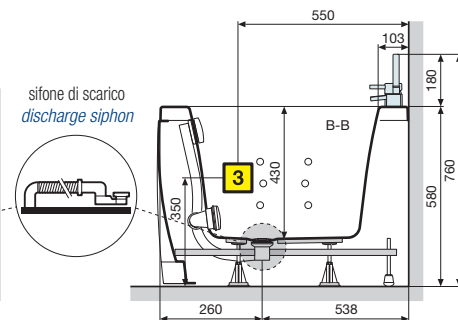
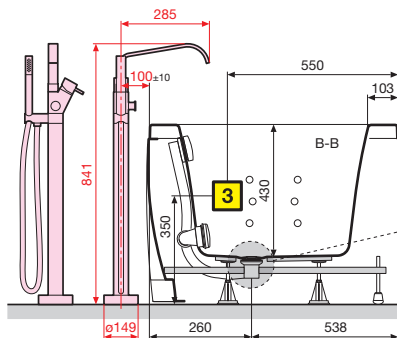
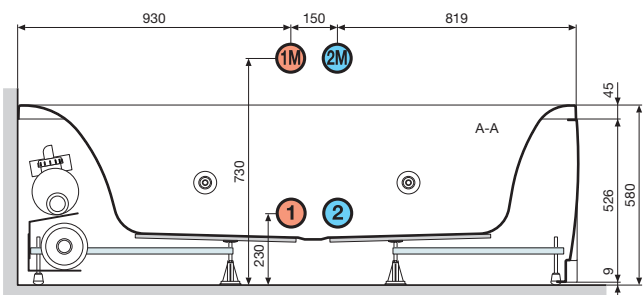
HYDRAULIC CHARACTERISTICS

- 6 whirlpool nozzles
- 12 airpool nozzles
- 6 back airpool nozzles
- Siphon connection with 1 1/2" coupling

ELECTRICAL CHARACTERISTICS

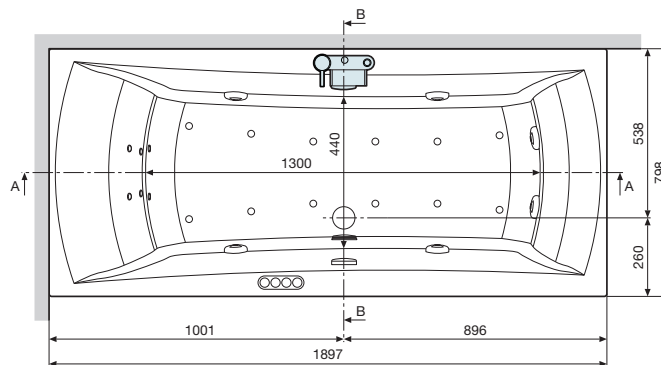
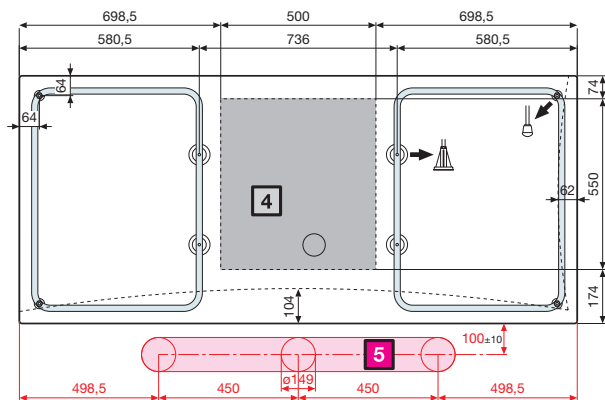
- Supply voltage 220-230 V
- Frequency 50 Hz
- Maximum absorbed power: whirlpool 880 W, airpool 900 W, whirlpool + airpool: 1800 W

SENSE 6 - Y 190x80



Rubinetteria a pavimento / *Floor-mounted mixer*

Rubinetteria a bordo vasca / *Bath mounted cascade mixer*



1M 2M Installazione a muro (non fornito) / *Installation to wall (not supplied)*

4 Area consigliata per lo scarico a pavimento / *Recommended position for floor discharge.*
5 Area disponibile per il posizionamento della rubinetteria a pavimento / *Area available for free standing mixer installation*

Installare a monte dell'apparecchio un interruttore differenziale da 30mA provvisto di interruttore onnipolare con apertura minima dei contatti ≥ 3 mm.

The whirlpool bath system must be fitted upstream with a 30 mA circuit breaker with a minimum contact of 3mm.

CARATTERISTICHE IDRAULICHE

- 6 bocchette whirlpool
- 12 bocchette airpool
- 6 bocchette airpool dorsale
- Allaccio sifone con raccordo 1 1/2"

CARATTERISTICHE ELETTRICHE

- Tensione 220-230 V
- Frequenza 50 Hz
- Potenza massima assorbita: whirlpool 880 W, airpool 900 W, whirlpool + airpool: 1800 W

HYDRAULIC CHARACTERISTICS

- 6 whirlpool nozzles
- 12 airpool nozzles
- 6 back airpool nozzles
- Siphon connection with 1 1/2" coupling

ELECTRICAL CHARACTERISTICS

- Supply voltage 220-230 V
- Frequency 50 Hz
- Maximum absorbed power: whirlpool 880 W, airpool 900 W, whirlpool + airpool: 1800 W